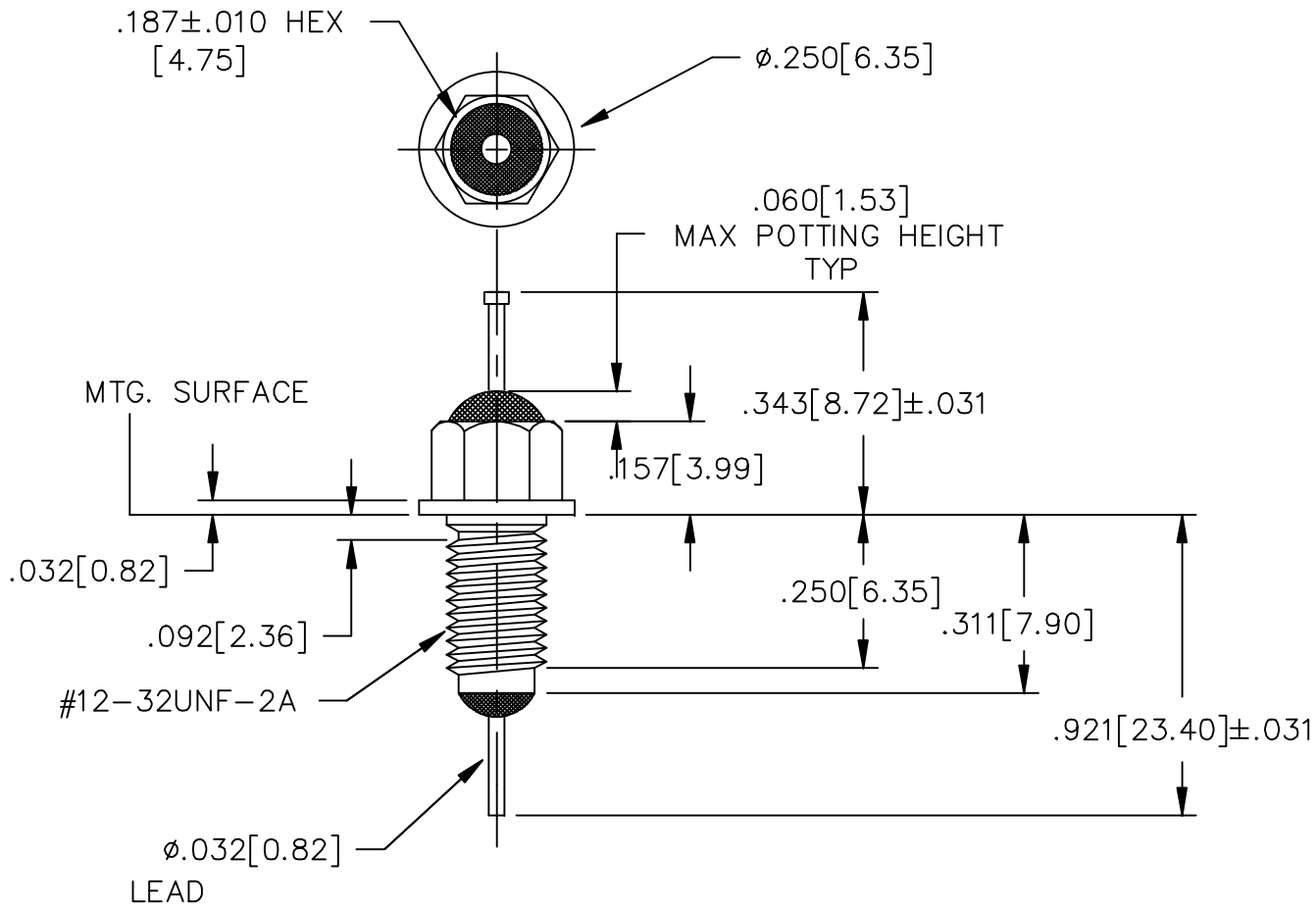
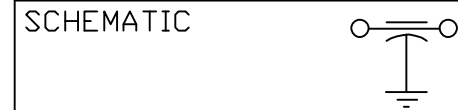


NOTES:
1. HARDWARE IS INCLUDED.



| | |
|------------------------|--|
| LEAD FINISH: SOLDER | |
| BUSHING FINISH: SILVER | |
| CAPACITANCE | .005uF MIN |
| TEMP. RANGE | -55°C TO 125°C |
| CURRENT | 10 AMP MAX. |
| WORKING VOLTAGE | 85°C -- VDC MAX. 125°C 200 VDC MAX. |
| D.C. RESISTANCE | .01ohms MAX. |



MARKING:
PART: SCI-9320-502
BAG:
SCI-9320-502
DATE CODE
LOT NO.
QTY./BAG (200 MAX.)

| | | | | | | | |
|--|------------|------------|------------|---------------------------------------|---------------------------|---|-------------------|
| | 02 | 00 | REV. NO. | TOLERANCES UNLESS OTHERWISE SPECIFIED | SPECTRUM CONTROL INC. | ERIE, FAIRVIEW PENNSYLVANIA | |
| | CN. 213165 | WRONG REV. | CN. 207856 | CHANGE NOTICE | | Fractions ± 1/64 Dec. .xx± Dec. .xxx±.005 Angles ±0° 30' | Dwn. KRDZALIC |
| | | | | | CODE IDENT. NO. DLSP2 | Ckd. 7/11/02 | RESIN SEAL FILTER |
| | | | | | | Apvd. | |
| | | | | | | Scale NONE | SCI-9320-502 |

Mouser Electronics

Authorized Distributor

Click to View Pricing, Inventory, Delivery & Lifecycle Information:

[Spectrum Control:](#)

[SCI-9320-502](#)