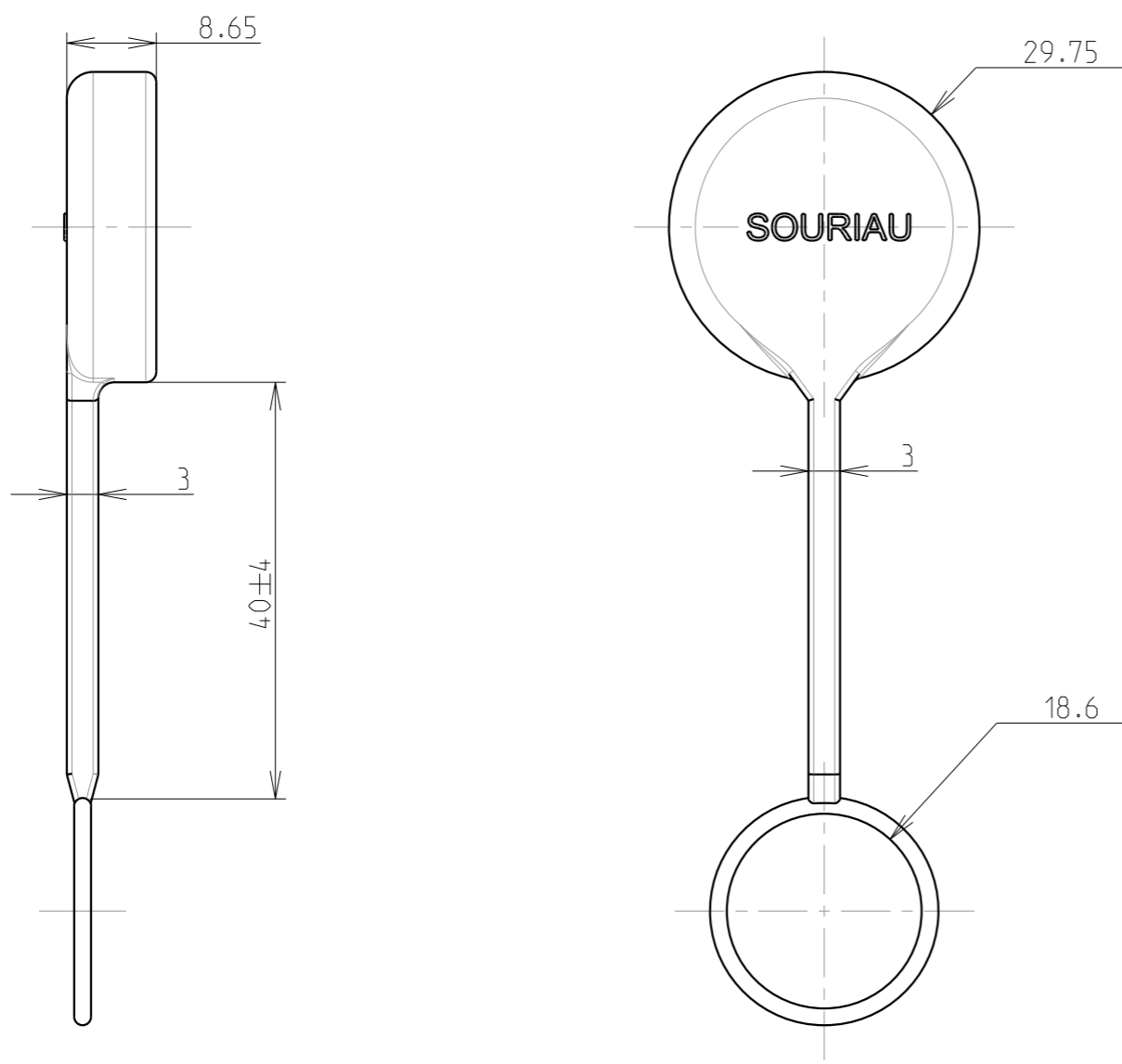


A.5: Validé

MASS ± 5% 5.70 g



**MATERIAL:**

- ELASTOMER SHELL : EPDM black color

**MECHANICAL AND ENVIRONMENTAL FEATURES:**

- TEMPERATURE CLASS : 40 °C to 105 °C
- DURABILITY : 500 mate / unmate cycles
- SEALING IN MATED CONDITIONS (IEC60529) : IP67
- CORROSION SALT SPRAY : min 1000H

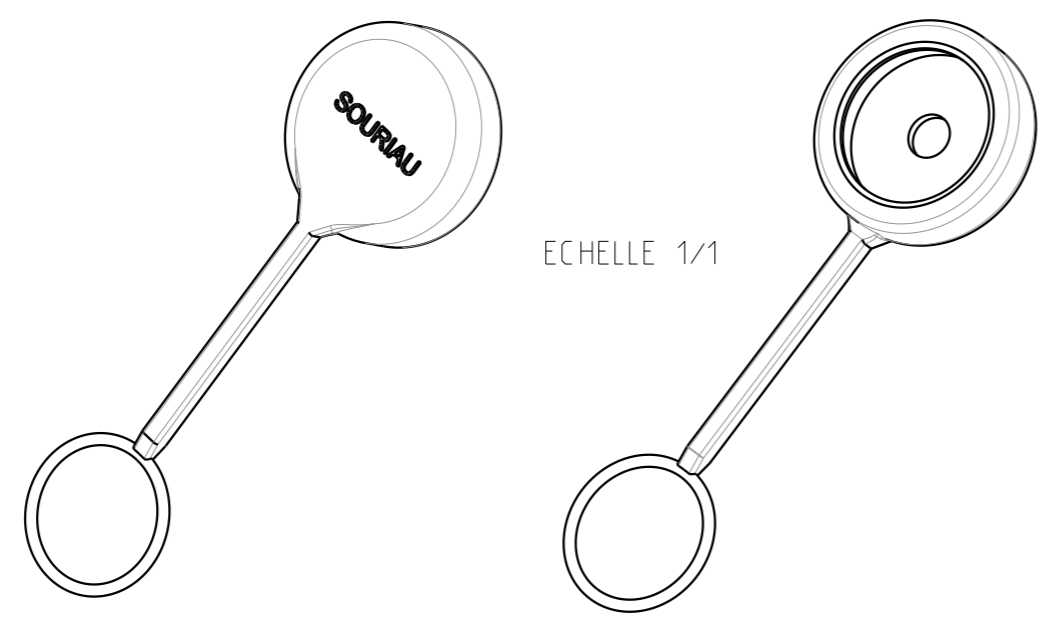
ROHS COMPLIANT

**NOTES:**

1. Counterpart reference UTL plug
2. Unit in mm

Country	Jurisdiction & Control List
FR	NOT LISTED

P/N : UTL612DCG



A	09/11/15	drawing format updated + mass added		
ISS	DATE	Latest modification - by:	LANDAIS.PE	MOD N°
Designed by:		LANDAIS.PE	Date:29/07/15	CUSTOMER DRAWING
TITLE		PLASTIC DUST CAR FOR PLUG SIZE 12 UTL CONNECTOR		
Scale	3/2		General Linear Tolerances: ± 0.5	NPRDS / PROJECT IC104404
<b>SOURIAU</b>		WWW.SOURIAU.COM		This document is the property of SOURIAU It must not be reproduced or communicated without permission
FORMAT	A3	SOURIAU DRG N° UTL1-0073A-C01		SHEET 1 / 1

# Mouser Electronics

Authorized Distributor

Click to View Pricing, Inventory, Delivery & Lifecycle Information:

[Souriau:](#)

[UTL612DCG](#)