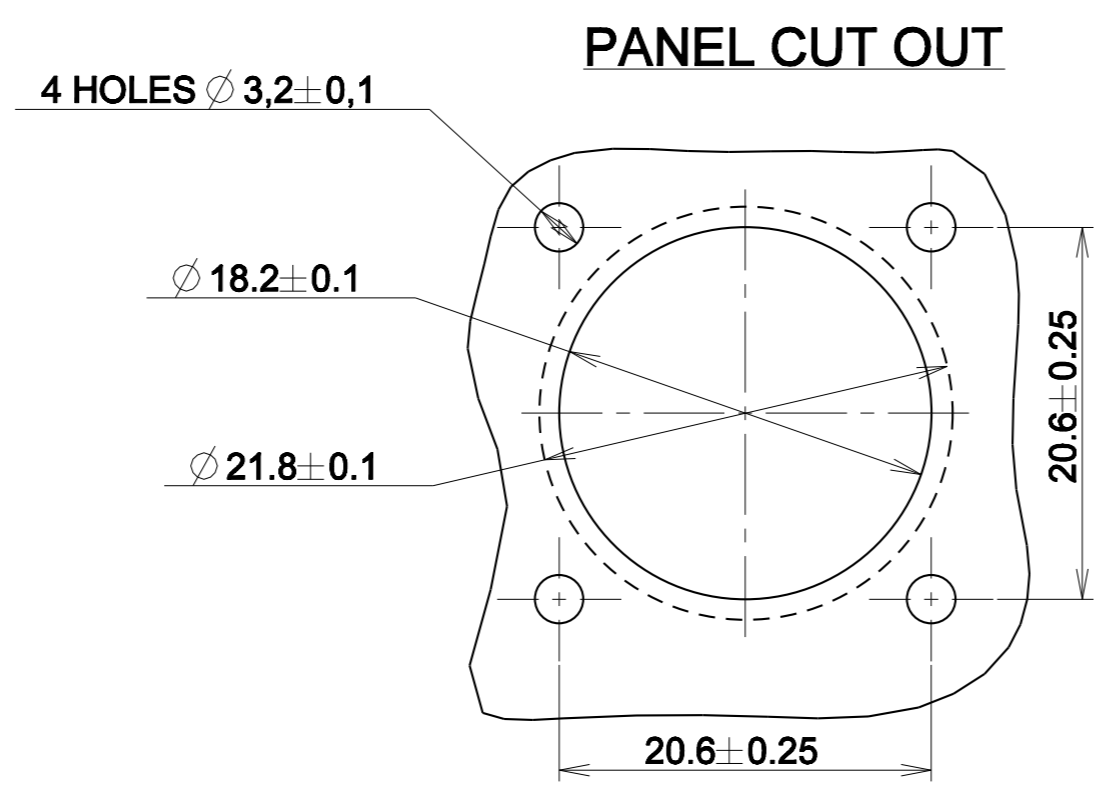


MATERIAL :
 BODY : GLASS FILLED POLYESTER COLOUR BLACK
 TRILOCK RING : BRASS ALLOY -NICKEL PLATED
 TRILOCK PIN : STAINLESS STEEL

PERFORMANCE CHARACTERISTICS:
 OPERATING TEMPERATURE : -55°C TO 125°C
 INSULATION RESISTANCE : 5000 M Ω MIN
 TEST POTENTIAL : 2000 V EFF


NOTES :
 1) CONNECTOR ACCEPTS #12 MACHINED SOCKET CONTACT
 2) CONTACTS TO BE ORDERED SEPARATELY
 3) ref UTG0122G1S IS COMPATIBLE WITH : UTP6122G1P
 4) GROUND CONTACT IS FIRST MATE LAST BREAK (0.5 mm mini)



COMMERCIAL OFFER

H TERMINAISON : OPTIONNAL O'RING FOR IP65 SEALING LEVEL

P/N : UTG0122G1S (H)

b	17/12/10	Add part number and change general tolerances		
ISS	DATE	Latest modification - by: RAGAINÉ M.		MOD N°
Designed by: RAGAINÉ M.		Date: 03/07/08		CUSTOMER DRAWING
TITLE		FEMALE RECEPTACLE SIZE 12 LAYOUT 3 PTS UTG CONNECTOR		
Scale	1/1	General linear Tolerances: ± 0,2	NPRDS / PROJECT IC081903A	
		WWW.SOURIAU.COM		This document is the property of SOURIAU. It must not be reproduced or communicated without permission.
FORMAT	SOURIAU DRG N° UTG0122G1S-C			SHEET 1 / 1

Mouser Electronics

Authorized Distributor

Click to View Pricing, Inventory, Delivery & Lifecycle Information:

[Souriau:](#)

[UTG0122G1SH](#)