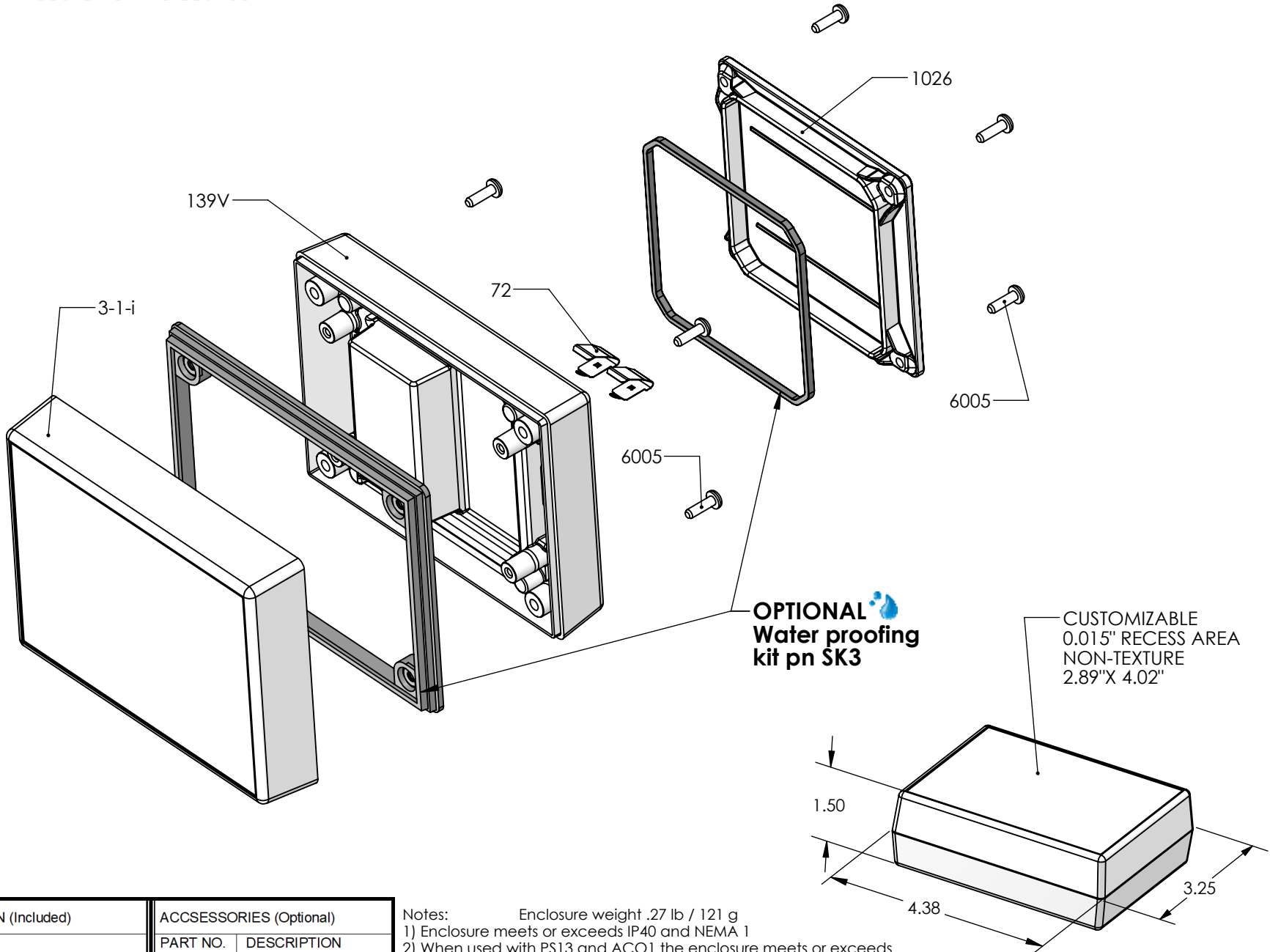


SERPAC 131i9V (exploded isometric)

Electronic Enclosures



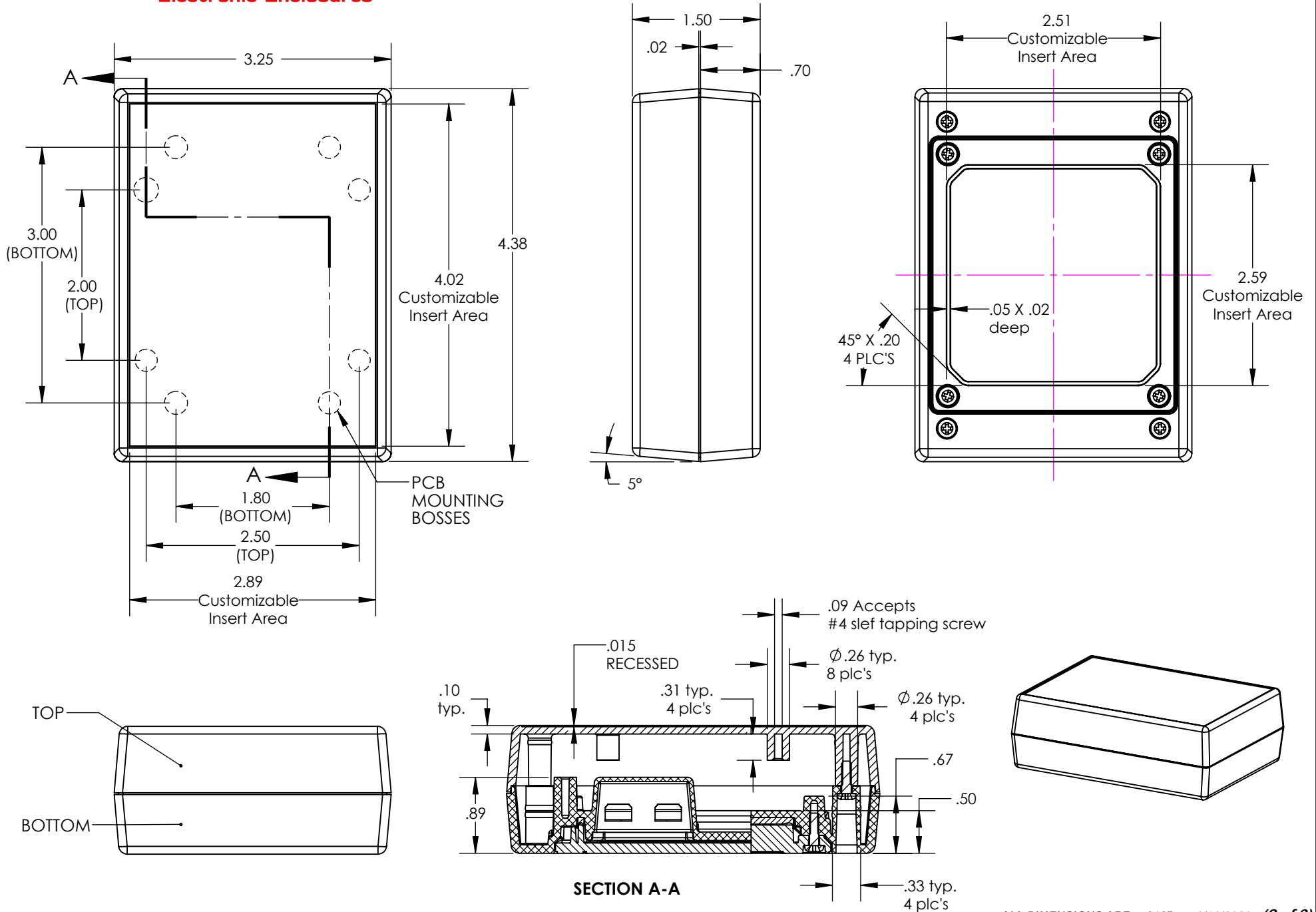
| PART NO. | DESCRIPTION (Included) | ACCESSORIES (Optional) | |
|----------|--------------------------------|------------------------|------------------|
| 3-1-i | Top | PART NO. | DESCRIPTION |
| 139V | 9V Bottom | 50 | Non-skid Feet |
| 1026 | Access Door | SK3 | Seal Kit for 13X |
| 6005 | #4X3/8" Self-Tapping Screw (8) | | |
| 72 | Single Battery Contact (2) | | |

Notes: Enclosure weight .27 lb / 121 g
 1) Enclosure meets or exceeds IP40 and NEMA 1
 2) When used with PS13 and ACO1 the enclosure meets or exceeds IP 67 and NEMA 4X, 12 and 13 MIL-STD-810G 506.5 (.02 lb / 10g)
 3) Circuit Board drawings can be download at: <https://serpac.com/accessories/circuit-boards.aspx>
 4) All components are RoHS Compliant.

ALL DIMENSIONS ARE ± .010" 11/17/2021 (1 of 3)
 2009 Wright Ave. La Verne, CA 91750
 Ph. (626) 331-0517 Fx. (626) 331-8584 serpac.com

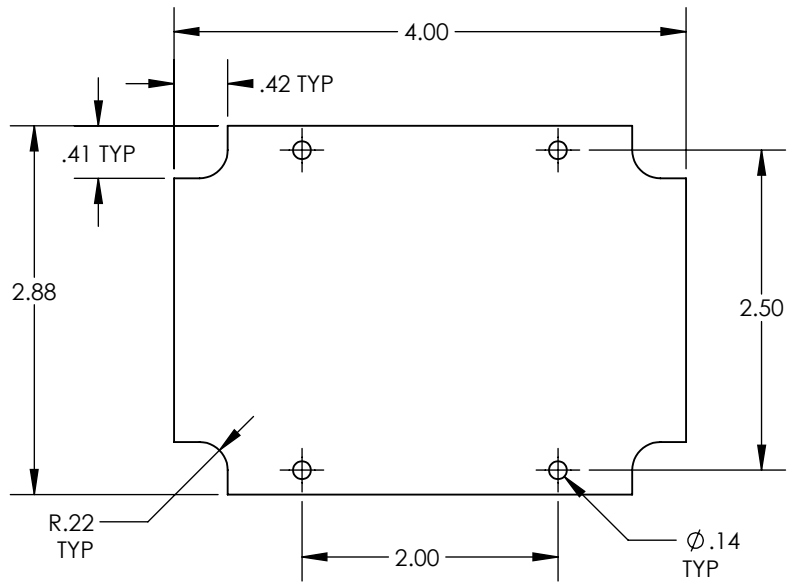
SERPAC 131i9V

Electronic Enclosures

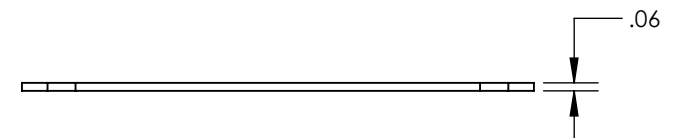
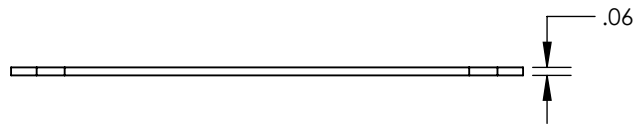
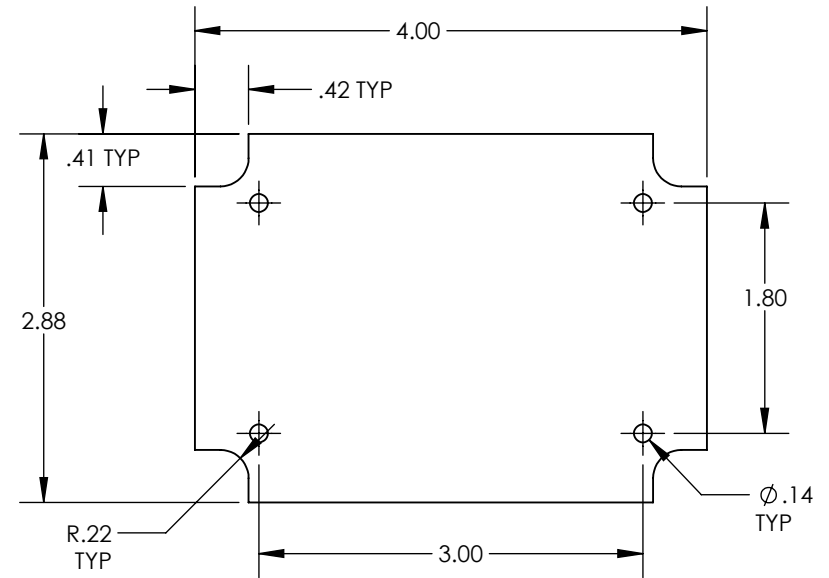


PCB for 13x compartment enclosures

CIRCUIT BOARD FOR TOP



CIRCUIT BOARD FOR BOTTOM



Mouser Electronics

Authorized Distributor

Click to View Pricing, Inventory, Delivery & Lifecycle Information:

[SERPAC:](#)

[131i9V,BK](#)