

IEC Appliance Outlet F, Snap-in Mounting, Front Side, IDC Terminal



Arrangement "cross"
(wires cross to pin axis)



Arrangement "along", view from rear side
(wires along to pin axis)



Type 6610-5 with integrated Light Pipe



See below:

[Approvals and Compliances](#)

Description

- Panel mount :
 Snap-in version , front side
- Connector , Pin temperature 70 °C , Protection class I
- Wire gauge 1-1.5mm²/1.5mm²/2.5mm²/14AWG/12AWG
- IDC terminals acc. to IEC 60998-2-3 for solid wires

Unique Selling Proposition

- IDC terminals for efficient wiring
- Significant reduces labor costs
- Cross and along orientation
- Ideal for PDU applications

Characteristics

- Protection cover can be used as wire press
- Live contact available as IDC, solder or quick connect terminal
- Suitable for use in equipment according to IEC/UL 62368-1

Other versions on request

- UL approval for AWG 16 | Versions for other wire gauges

References

Alternative: version for 16 A (20 A)
 Alternative: version with integrated light pipes [6610-5](#); [4710](#)

Weblinks

[pdf data sheet](#), [html datasheet](#), [General Product Information](#), [Approvals](#), [Distributor-Stock-Check](#), [Accessories](#), [Mounting instruction](#), [Detailed request for product](#), [Landing Page](#), [Video](#)

Newly available variants corresponding to V-Lock mating cordset. The connector is equipped with a notch intended for use with the latching cordset. The cord latching system prevents against accidental removal of the cordset.

Technical Data

| | | | |
|-----------------------------------|---|-------------------------|--|
| Ratings IEC | 10A / 250VAC; 50Hz | Appliance inlet/-outlet | F acc. to IEC 60320-3 |
| Ratings UL/CSA | 15A / 250VAC; 60Hz | | UL 60320-1, CSA C22.2 no. 60320-1 |
| Allowable Operation Temperature | -25 °C to 70 °C | | (for cold conditions) pin-temperature 70 °C, 10A, Protection Class I |
| IP-Protection | front side IP40 acc. to IEC 60529 | | |
| Protection against electric shock | Suitable for appliances with protection class I acc. to IEC 61140 | | |
| Terminal | IDC terminals | | |
| Panel Thickness S | Snap-in, 0.8/1/1.2/1.5/2/2.5/3.0 mm (other on request) | | |
| Material: Housing | Thermoplastic, black, UL 94V-0 | | |

Approvals and Compliances

Detailed information on product approvals, code requirements, usage instructions and detailed test conditions can be looked up in [Details about Approvals](#)

SCHURTER products are designed for use in industrial environments. They have approvals from independent testing bodies according to national and international standards. Products with specific characteristics and requirements such as required in the automotive sector according to IATF 16949, medical technology according to ISO 13485 or in the aerospace industry can be offered exclusively with customer-specific, individual agreements by SCHURTER.

Approvals





The approval mark is used by the testing authorities to certify compliance with the safety requirements placed on electronic products.

Approval Reference Type: 6610

| Approval Logo | Certificates | Certification Body | Description |
|---------------|-------------------------------|--------------------|--|
| | VDE Approvals | VDE | Certificate Number: 40035679 |
| | UL Approvals | UL | UR File Number: E103791 |
| | CCC Approvals | CCC | CCC Certificate Number: 2010010204418560 |

Product standards

Product standards that are referenced

| Organization | Design | Standard | Description |
|--|-----------------------|-----------------------|---|
|  | Designed according to | IEC 60320-1 | Appliance couplers for household and similar general purposes |
|  | Designed according to | IEC 60320-3 | Appliance couplers for household and similar general purposes |
|  | Designed according to | UL 60320-1 | Standard for Attachment Plugs and Receptacles |
|  | Designed according to | CSA C22.2 no. 60320-1 | General Use Receptacles, Attachment Plugs, and Similar Wiring Devices |







Application standards

Application standards where the product can be used

| Organization | Design | Standard | Description |
|--|--------------------------------|----------------|---|
|  | Suitable for applications acc. | IEC/UL 62368-1 | Audio/video, information and communication technology equipment - Part 1: Safety requirements |

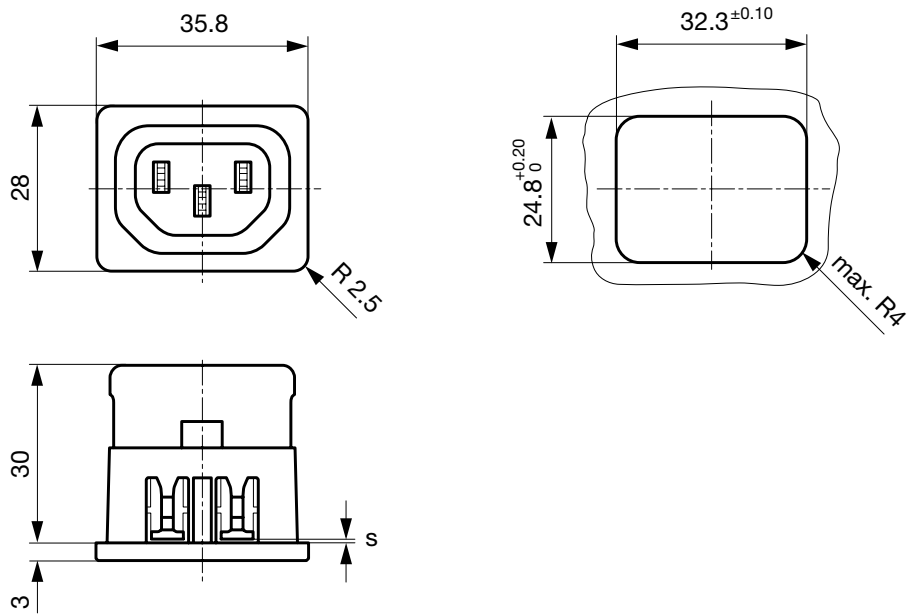
Compliances

The product complies with following Guide Lines

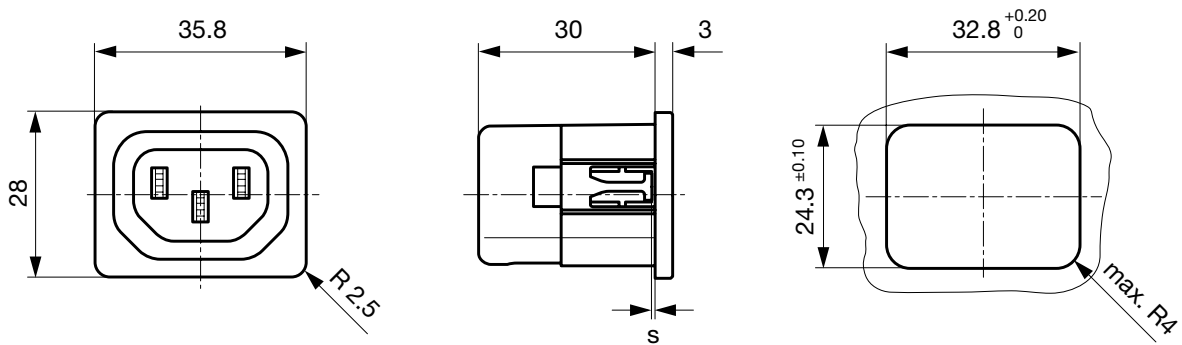
| Identification | Details | Initiator | Description |
|--|--|-------------|--|
|  | CE declaration of conformity | SCHURTER AG | The CE marking declares that the product complies with the applicable requirements laid down in the harmonisation of Community legislation on its affixing in accordance with EU Regulation 765/2008. |
|  | UKCA declaration of conformity | SCHURTER AG | The UKCA marking declares that the product complies with the applicable requirements laid down in the British Amendment of Regulation (EC) 765/2008. |
|  | RoHS | SCHURTER AG | Directive RoHS 2011/65/EU, Amendment (EU) 2015/863 |
|  | China RoHS | SCHURTER AG | The law SJ / T 11363-2006 (China RoHS) has been in force since 1 March 2007. It is similar to the EU directive RoHS. |
|  | REACH | SCHURTER AG | On 1 June 2007, Regulation (EC) No 1907/2006 on the Registration, Evaluation, Authorization and Restriction of Chemicals 1 (abbreviated as "REACH") entered into force. |
|  | | SCHURTER AG | V-Lock system are based on a matching plug-dose combination. The connector is equipped with a notch intended for use with the latching cordset. The cord latching system prevents against accidental removal of the cordset. |

Dimensions [mm]

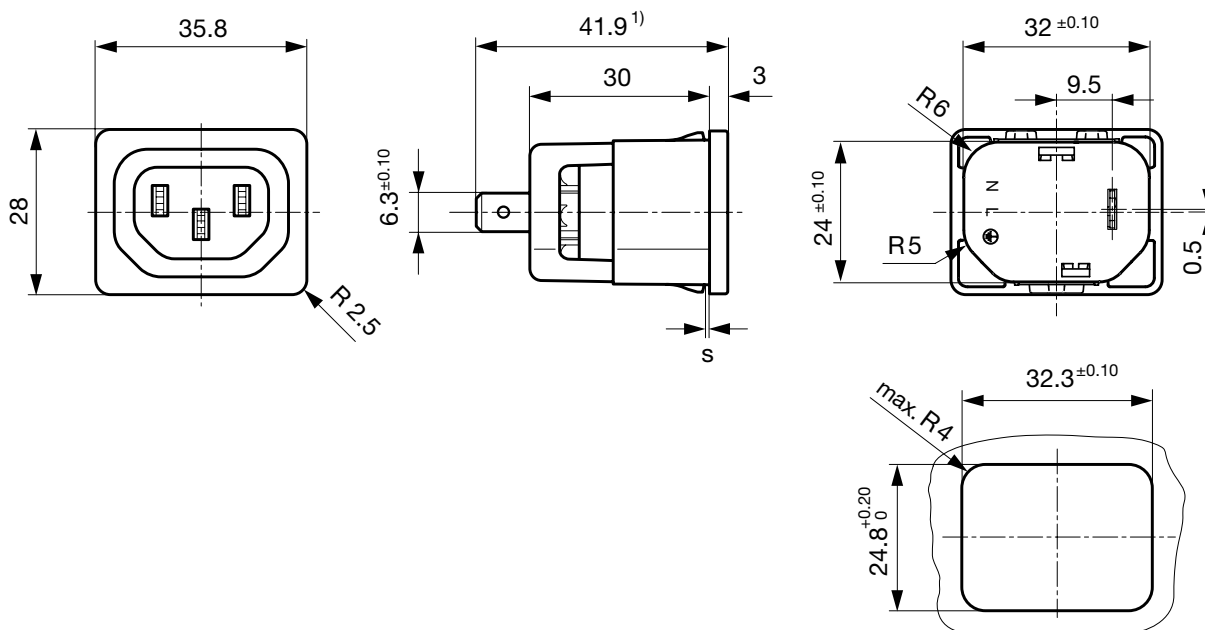
Version "cross" (wires cross to pin axis)
 L/N/PE: IDC terminals



Version "along" (wires along to pin axis)
 L/N/PE: IDC terminals



Version "cross" (wires cross to pin axis)
 N/PE: IDC terminals, L: quick connect or solder terminal



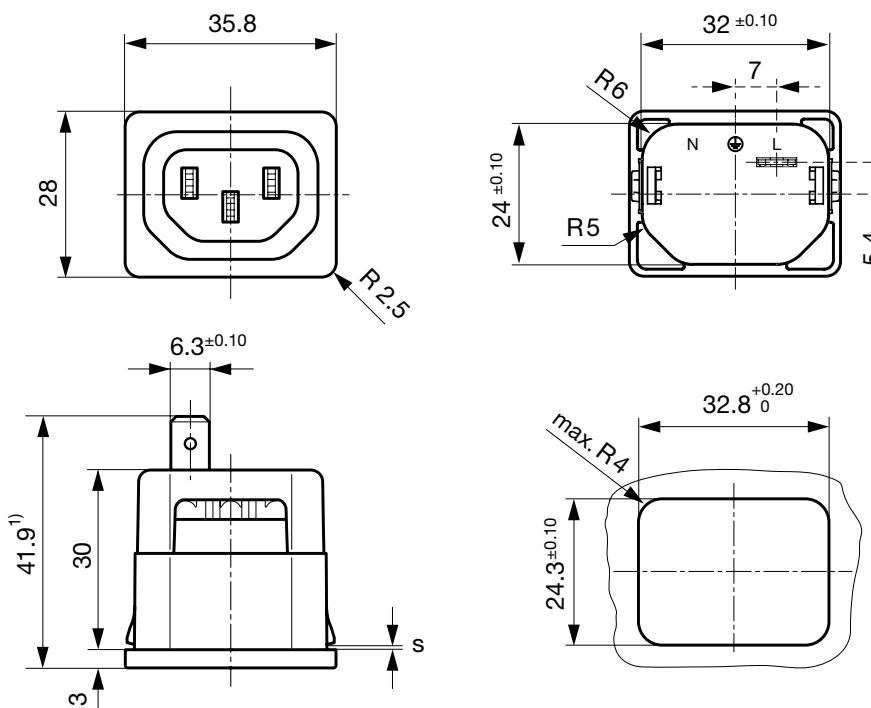
1) Other options:

Quick connect terminal 4.8x0.8: 40.3 mm

Solder terminal: 40.9 mm

Version "along" (wires along to pin axis)

N/PE: IDC terminals, L: quick connect or solder terminal

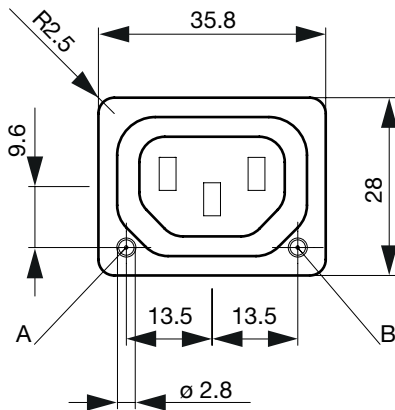


1) Other options:

Quick connect terminal 4.8x0.8: 40.3 mm

Solder terminal: 40.9 mm

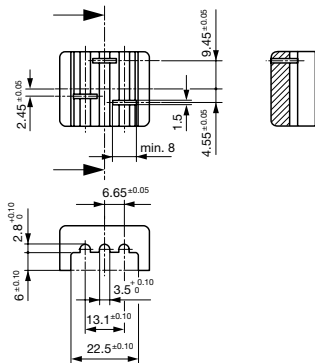
Light Pipe integration



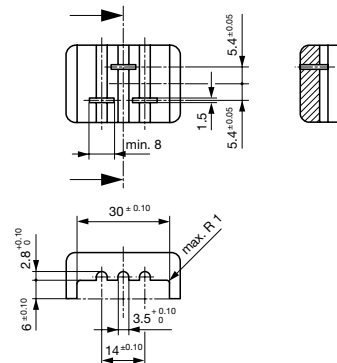
The integration of light pipes in the appliance outlet provides status indication in smart PDUs. See Light Pipe Microsite for more information. <http://lightpipe.schurter.com/>

Assembly Instructions

Wire press version "cross"



Wire press version "along"



- The above mentioned dimensions are recommended when using an assembly tool.
- When using an assembly tool we recommend the above-mentioned dimensions.
- Use the cover or an assembly tool, to push the wires into the IDC terminals.
- The assembly force depends on the wire used and may require as much as 900 N.
- Press the wires into the IDC terminals until the wires touch with the plastic socket of the 6610 when using a tool.
- When using the cover be sure that it is properly mounted.
- The maximum diameter of the wire (including insulation) is 3.6 mm for along, 3.5 mm for cross version.
- The correct installation of the wires is essential for proper function of the 6610 in the end equipment.

All Variants

| Alignment 1) | Conductor cross section | Panel Thickness s [mm] | Terminal type live contact | Color | V-Lock | MOQ | Order Number |
|--------------|------------------------------|------------------------|-------------------------------------|-------|--------|-----|--------------|
| along | 1.0 mm ² | 2.5 | IDC terminals | black | ● | 50 | 6610.3016.03 |
| along | 1.5 mm ² / 14 AWG | 1.5 | IDC terminals | black | | 50 | 6610.5014 |
| along | 1.5 mm ² / 14 AWG | 1.5 | IDC terminals | black | ● | 50 | 6610.5014.03 |
| along | 1.5 mm ² / 14 AWG | 2 | IDC terminals | black | | 50 | 6610.5015 |
| along | 2.5 mm ² / 12 AWG | 0.8 | IDC terminals | black | | 50 | 6610.1011 |
| along | 2.5 mm ² / 12 AWG | 1 | IDC terminals | black | | 50 | 6610.1012 |
| along | 2.5 mm ² / 12 AWG | 1.2 | IDC terminals | black | | 50 | 6610.1013 |
| along | 2.5 mm ² / 12 AWG | 1.5 | IDC terminals | black | | 50 | 6610.1014 |
| along | 2.5 mm ² / 12 AWG | 2 | IDC terminals | black | | 50 | 6610.1015 |
| along | 2.5 mm ² / 12 AWG | 2 | IDC terminals | black | ● | 50 | 6610.1015.03 |
| along | 2.5 mm ² / 12 AWG | 2.5 | IDC terminals | black | | 50 | 6610.1016 |
| along | 2.5 mm ² / 12 AWG | 3 | IDC terminals | black | | 50 | 6610.1017 |
| along | 2.5 mm ² / 12 AWG | 1.5 | Quick connect terminal 4.8 x 0.8 mm | black | | 50 | 6610.1354 |
| along | 2.5 mm ² / 12 AWG | 1.5 | Quick connect terminal 4.8 x 0.8 mm | black | ● | 50 | 6610.1354.03 |
| along | 2.5 mm ² / 12 AWG | 1.5 | Quick connect terminal 6.3 x 0.8 mm | black | | 50 | 6610.1254 |

| Alignment 1) | Conductor cross section | Panel Thickness [mm] | Terminal type live contact | Color | V-Lock | MOQ | Order Number |
|--------------|------------------------------|----------------------|-------------------------------------|-------|--------|------|--------------|
| along | 2.5 mm ² / 12 AWG | 1.5 | Quick connect terminal 6.3 x 0.8 mm | black | ● | 50 | 6610.1254.03 |
| along | 2.5 mm ² / 12 AWG | 1.5 | Solder | black | | 50 | 6610.1154 |
| cross | 1.5 mm ² / 14 AWG | 1 | IDC terminals | black | | 50 | 6610.6012 |
| cross | 1.5 mm ² / 14 AWG | 1.5 | IDC terminals | black | | 50 | 6610.6014 |
| cross | 1.5 mm ² / 14 AWG | 1.5 | Quick connect terminal 6.3 x 0.8 mm | black | | 50 | 6610.6254 |
| cross | 2.5 mm ² / 12 AWG | 1 | IDC terminals | black | | 50 | 6610.2012 |
| cross | 2.5 mm ² / 12 AWG | 1.2 | IDC terminals | black | | 50 | 6610.2013 |
| cross | 2.5 mm ² / 12 AWG | 1.5 | IDC terminals | white | ● | 1000 | 3-111-442 |
| cross | 2.5 mm ² / 12 AWG | 1.5 | IDC terminals | black | | 50 | 6610.2014 |
| cross | 2.5 mm ² / 12 AWG | 1.5 | IDC terminals | black | ● | 50 | 6610.2014.03 |
| cross | 2.5 mm ² / 12 AWG | 2 | IDC terminals | black | | 50 | 6610.2015 |
| cross | 2.5 mm ² / 12 AWG | 2.5 | IDC terminals | black | | 50 | 6610.2016 |
| cross | 2.5 mm ² / 12 AWG | 3 | IDC terminals | black | | 50 | 6610.2017 |
| cross | 2.5 mm ² / 12 AWG | 1.5 | Quick connect terminal 6.3 x 0.8 mm | black | | 50 | 6610.2254 |
| cross | 2.5 mm ² / 12 AWG | 1.5 | Solder | black | | 50 | 6610.2154 |

Most Popular.

Availability for all products can be searched real-time: <https://www.schurter.com/en/info-center/support-tools/stock-check-distributors>

Articles with 1 mm² only with ENEC approval. Outer diameter of wire (including insulation) max. 3.5 / 3.6 mm.

1) The alignment describes whether the wires are along or across to the connector pin axis.

Packaging unit

50 Pcs

Accessories

Description



[Cord_retaining_kits](#)
Cord retaining strain relief

| | |
|--------------|-----------|
| Flat head, E | 4700.0005 |
| Flat head, G | 4700.0007 |

Mating Inlets/Plugs

Category / Description

[Plug Overview complete](#)



| | |
|--|------|
| 4732, Mounting: Power Cord, Plug: IEC E, Cable | 4732 |
| 4735, Mounting: Power Cord, Plug: IEC E, Cable | 4735 |
| 9009, Mounting: Plug: IEC E, Screw clamps | 9009 |
| 4733, Mounting: Power Cord, Plug: IEC E, Cable | 4733 |
| 4736, Mounting: Power Cord, Plug: IEC E, Cable | 4736 |

...

Mating Inlets/Plugs shuttered



[Interconnection Cord Overview complete](#)

| | |
|--|-----------|
| VAC13KS, Interconnection, V-Lock cord retaining, 0.6 m, Connector IEC C13, H05VV-F3G0.75 / SVT 3x18 AWG, black | 3-100-354 |
| VAC13KS, Interconnection, V-Lock cord retaining, 3.0 m, Connector IEC C13, SVT 3x18 AWG, black | 3-100-361 |
| VAC13KS, Interconnection, V-Lock cord retaining, 1.8 m, Connector IEC C13, H05VV-F3G0.75 / SVT 3x18 AWG, black | 3-100-734 |
| VAC13KS, Interconnection, V-Lock cord retaining, 2.0 m, Connector IEC C13, H05VV-F3G0.75 / SVT 3x18 AWG, black | 6051.2007 |
| VAC13KS, Interconnection, V-Lock cord retaining, 1.5 m, Connector IEC C13, H05VV-F3G0.75, black | 6051.2067 |

...

Mouser Electronics

Authorized Distributor

Click to View Pricing, Inventory, Delivery & Lifecycle Information:

[Schurter:](#)

[3-111-442](#)