

Product manual

Vandal-proof MSM switch

Contents

CONTENTS 1

1 PRODUCT DESCRIPTION..... 3

2 TECHNICAL DATA AND DIMENSIONAL DRAWINGS..... 3

2.1 Technical Data..... 3

2.2 Component dimensions..... 6

2.2.1 Component dimensions MSM 16.....6

2.2.2 Component dimensions MSM 19.....7

2.2.3 Component dimensions MSM 22.....8

2.2.4 Component dimensions MSM 30.....9

2.3 Actuator Tolerance Range 10

2.4 Hole dimensions..... 11

2.5 Starting Torque 12

2.6 Switching Symbols..... 12

2.7 Accessories..... 13

3 ORDER NUMBERS..... 14

3.1 Order numbers MSM with micro switches of protection class IP40..... 14

3.2 Order numbers MSM with micro switches of protection class IP 67..... 16

3.3 Lettering 17

4 ASSEMBLY..... 19

5 PACKAGING 19

6 QUALIFICATION TEST..... 20

6.1 IP Protection Class..... 20

6.2 IK Protection Class..... 20

Changes that contribute to technical improvement are subject to alternations

Seite	Erstelldatum:	Ersteller:	Änderungsdatum:	Geändert von:	Änderungs-Nr.	Datenblatt Nr.	Index
1 of 21	05.11.2004	Ullmer	07.03.2008	Schillak	9674	105.9502	k

6.3	ESD Protection	20
6.4	Salt Spray Test.....	20
7	APPROVALS.....	21
8	ROHS COMPLIANT	21

Changes that contribute to technical improvement are subject to alternations

Seite	Erstelldatum:	Ersteller:	Änderungsdatum:	Geändert von:	Änderungs-Nr.	Datenblatt Nr.	Index
2 of 21	05.11.2004	Ullmer	07.03.2008	Schillak	9674	105.9502	k

1 PRODUCT DESCRIPTION

Both, the housing and the actuator of the vandal-proof MSM switch are made of high-quality stainless steel. By applying this robust and weather-resistant material, the switch is particularly suitable for the use in harsh environments. The MSM is available with mounting diameters of 16, 19, 22 and 30 mm. Different types of contact cover a range of permissible switching voltages from 30 VDC to 250 VAC, switching currents are permissible from 0.1 to 10 Ampere. The MSM is equipped with flat-pin plugs to permit fast connection. The cables are plugged onto the micro switch which is subsequently plugged onto the previously screwed-in switch. Point and ring-illuminated versions are available for applications at night or as an optical status display.

2 TECHNICAL DATA AND DIMENSIONAL DRAWINGS

2.1 Technical Data

Micro Switch for Electrical Rating (Protection Class IP 40)	0.1 A 30 VDC	5 A 125 VAC	3 A 250 VAC	10 A 250 VAC
Electrical Data				
Contact Material	gold	silver		silver
Switching Voltage max. (VAC) (VDC)	30	125 / 250		250
Switching Current max. (A)	0.1	5 / 3		10
Rated Braking Capacity (W)	3	1250		2500
Lifetime ¹⁾ (at Rated Braking Capacity)	200,000	200,000		50,000
Lifetime (160mA at 48VDC)		1,500,000		
Initial Contact Resistance, new (mΩ)	< 50	< 30		< 30
Insulation Resistance (IEC 512-2) (MΩ)	> 100	> 100		> 100
Contact Bounce Time (ms)	< 5	< 5		< 5

1) The electrical lifetime according to ENEC or UL approbation can vary, depending on the corresponding micro switch, under the lifetime indicated above. The type and license numbers for the individual micro switches can be found in "point 6 approvals".

Micro Switch for Electrical Rating (Protection Class IP 67)	0.1 A 250 VAC	5 A 250 VAC	10 A 250 VAC
Electrical Data			
Switching Voltage max. (VAC)	250	250	250
Switching Current max. (A)	0.1	5	10
Rated Braking Capacity (W)	25	1500	2500
Lifetime ¹⁾ (at Rated Braking Capacity)	50,000	50,000	10,000

➤ *Itally written types on request*

- 1) *The electrical lifetime according to ENEC or UL approbation can vary, depending on the corresponding micro switch, under the lifetime indicated above. The type and license numbers for the individual micro switches can be found in "point 6 approvals".*

Mechanical Data		
Actuating Force (single-pole) (N)		4.5
Actuating Travel Mounting Diameter 16, 19, 22 mm (mm)		1.0
Actuating Travel Mounting Diameter 30 mm (mm)		1.2
Lifetime (Actuations)		1,500,000
Shock Resistance DIN EN 50102 Mounting Diameter 16 mm (IK)		06
Shock Resistance DIN EN 50102 Mounting Diameter 19, 22, 30 mm (IK)		07
Climatical Data		
Operating/Storage Temperature (°C)		- 25 to + 85
Degree of Protection Front Side mechanical* (IP)		40
Degree of Protection Front Side Contact Area (IP)		67
Degree of Protection Rear Side Contact Area (IP)		40 / 67

Ring Illumination		
Supply Voltage Ring Illumination (VDC)		24

➤ *Other supply voltages on request*

**The degree of protection refers to the area of the movable actuator.*

Changes that contribute to technical improvement are subject to alternations							
Seite	Erstelldatum:	Ersteller:	Änderungsdatum:	Geändert von:	Änderungs-Nr.	Datenblatt Nr.	Index
4 of 21	05.11.2004	Ullmer	07.03.2008	Schillak	9674	105.9502	k

Point Illumination	Attention: Parts are delivered without series resistor.
Characteristics red LED Point Illumination	Forward Current max. 40 mA Forward Voltage at 10 mA = 2.0 VDC Forward Voltage max. = 2.5 VDC
Characteristics green LED Point Illumination	Forward Current max. 40 mA Forward Voltage at 10 mA = 2.0 VDC Forward Voltage max. = 2.5 VDC
Characteristics blue LED Point Illumination	Forward Current max. 20 mA Forward Voltage at 10 mA = 3.2 VDC Forward Voltage max. = 3.7 VDC

Recommendation of series resistors for Point Illumination:

LED-Color	I _D [mA]	I _{DMax} [mA]	U _V 5				U _V 12				U _V 24			
			R _V [Ω]	R _V ^{E24} [Ω]	P _V [W]**		R _V [Ω]	R _V ^{E24} [Ω]	P _V [W]**		R _V [Ω]	R _V ^{E24} [Ω]	P _V [W]	
red	10	---	300	300	0,03	1000	1000	0,10		2200	2200	0,22		
	---	40	63	62	0,10	238	240	0,38		538	240	0,86		
green	10	---	300	300	0,03	1000	1000	0,10		2200	2200	0,22		
	---	40	63	62	0,10	238	240	0,38		538	560	0,86		
blue	10	---	180	180	0,02	880	910	0,09		2080	2000	0,21		
	---	20	65	68	0,03	415	430	0,17		1015	1000	0,41		

I_D LED-Forward Current [10mA]
I_{DMax} LED-Forward Current max. [40mA/20mA]
R_V Series Resistor (calculated)
R_V^{E24} Series Resistor (regarding E24-Resistor series)
P_V Power dissipation concerning R_V (calculated)

Material	
Component	Material
Housing	Stainless Steel
Actuator	Stainless Steel
Light Conductor (Point Illumination)	PC
Illuminated Ring (Ring Illumination)	PA
Gasket	NBR70
Switcher Collet	PA

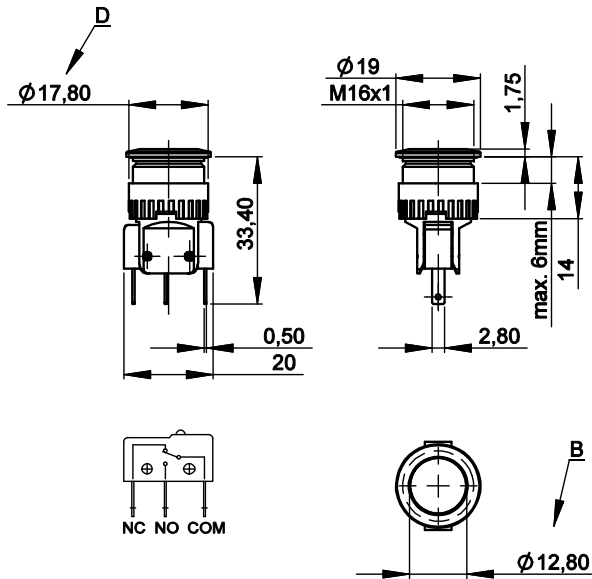
Changes that contribute to technical improvement are subject to alternations

Seite	Erstelldatum:	Ersteller:	Änderungsdatum:	Geändert von:	Änderungs-Nr.	Datenblatt Nr.	Index
5 of 21	05.11.2004	Ullmer	07.03.2008	Schillak	9674	105.9502	k

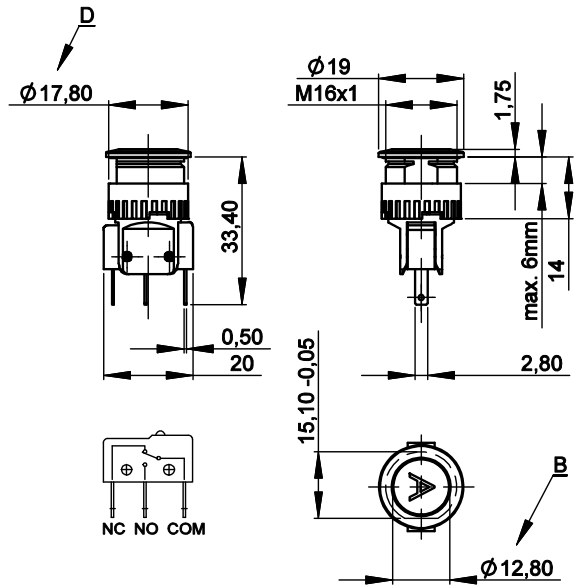
2.2 Component dimensions

2.2.1 Component dimensions MSM 16

MSM 16 ST



MSM 16 LE



Legend

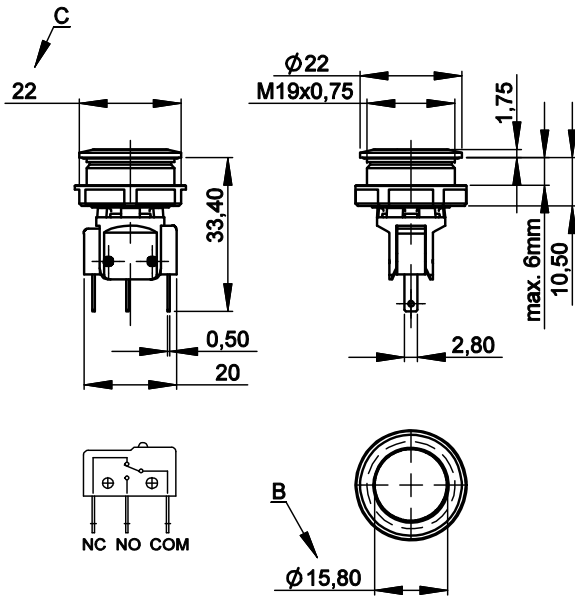
- A = Illumination Area
- B = Actuating Area
- C = Width Across Flats
- D = Knurled Nut

Changes that contribute to technical improvement are subject to alternations

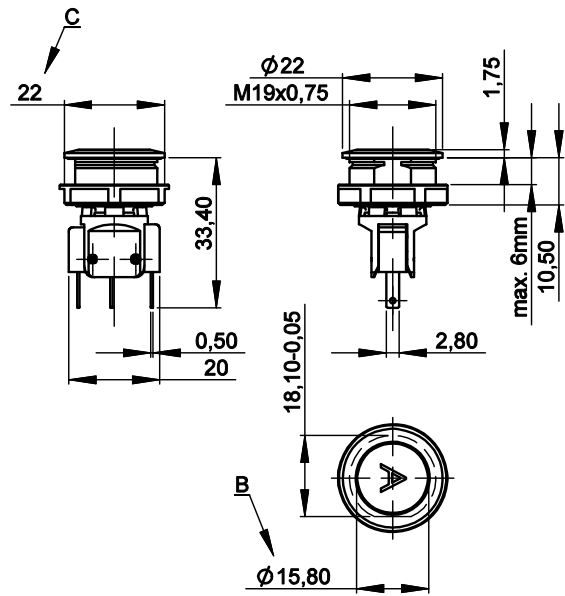
Seite	Erstelldatum:	Ersteller:	Änderungsdatum:	Geändert von:	Änderungs-Nr.	Datenblatt Nr.	Index
6 of 21	05.11.2004	Ullmer	07.03.2008	Schillak	9674	105.9502	k

2.2.2 Component dimensions MSM 19

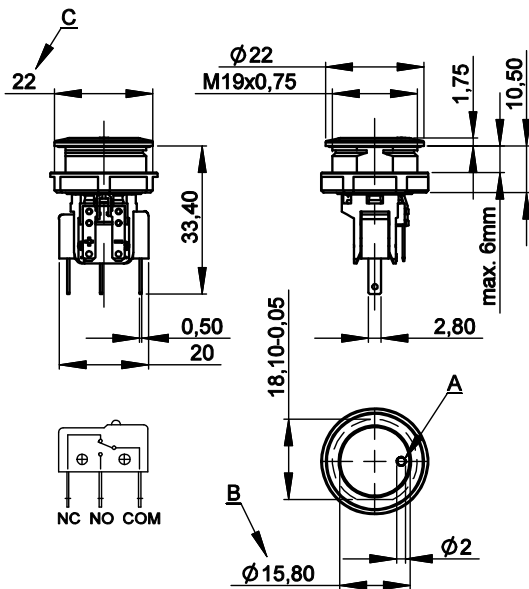
MSM 19 ST



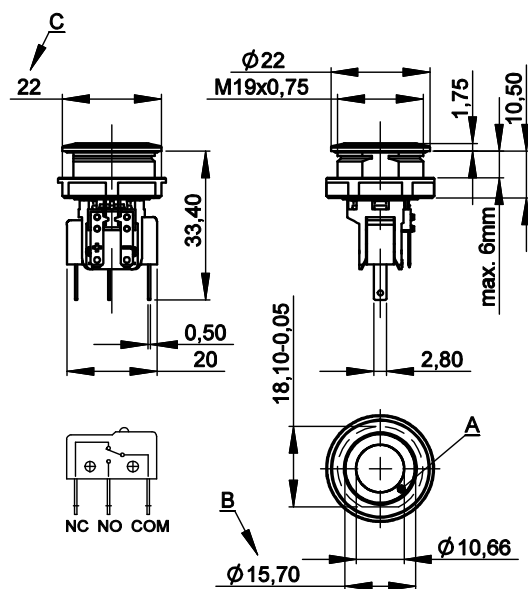
MSM 19 LE



MSM 19 PI



MSM 19 RI



Legend

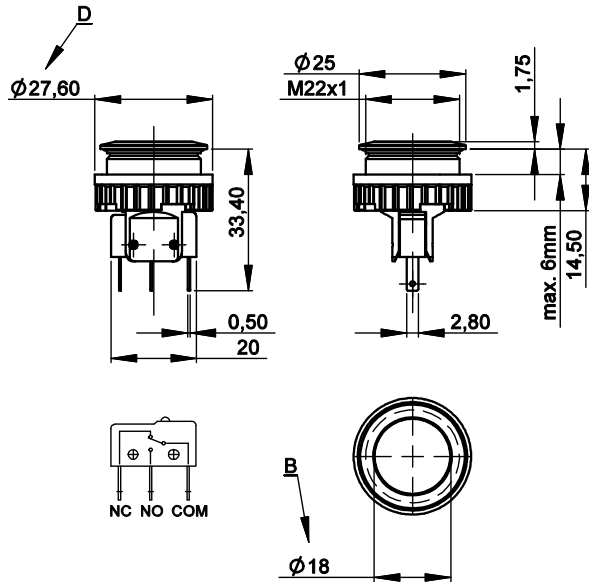
- A = Illumination Area
- B = Actuating Area
- C = Width Across Flats
- D = Knurled Nut

Changes that contribute to technical improvement are subject to alternations

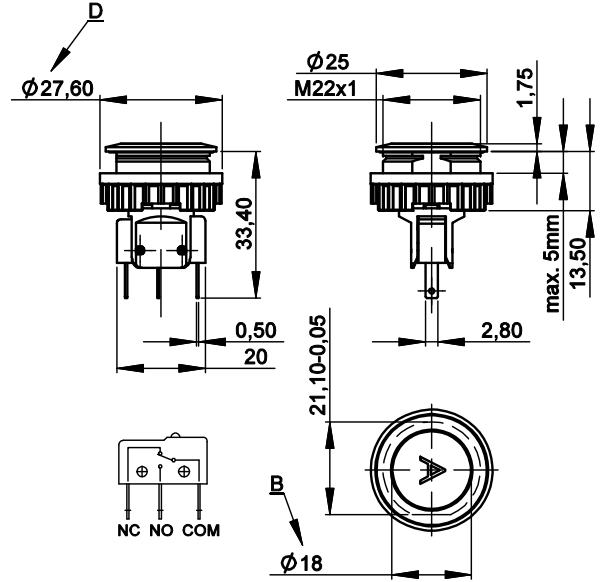
Seite	Erstelldatum:	Ersteller:	Änderungsdatum:	Geändert von:	Änderungs-Nr.	Datenblatt Nr.	Index
7 of 21	05.11.2004	Ullmer	07.03.2008	Schillak	9674	105.9502	k

2.2.3 Component dimensions MSM 22

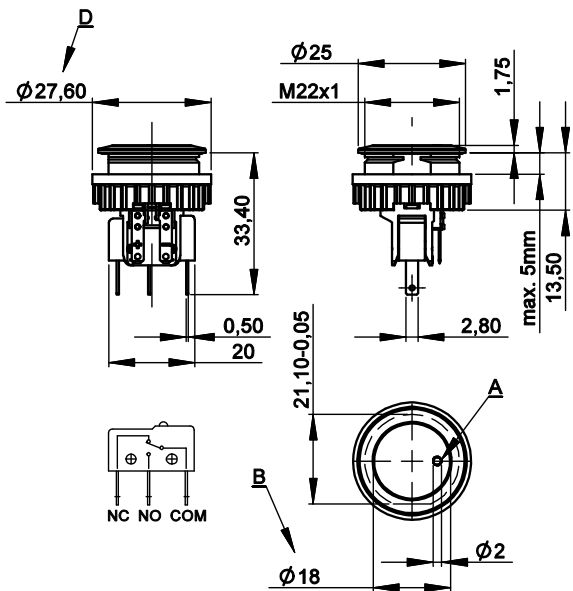
MSM 22 ST



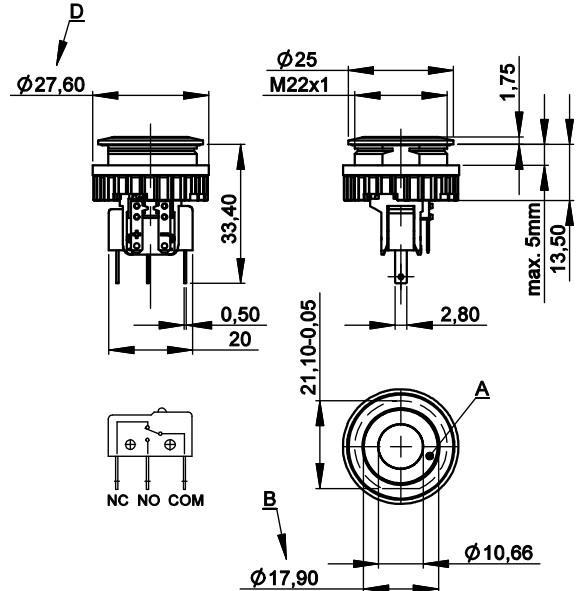
MSM 22 LE



MSM 22 PI



MSM 22 RI



Legend

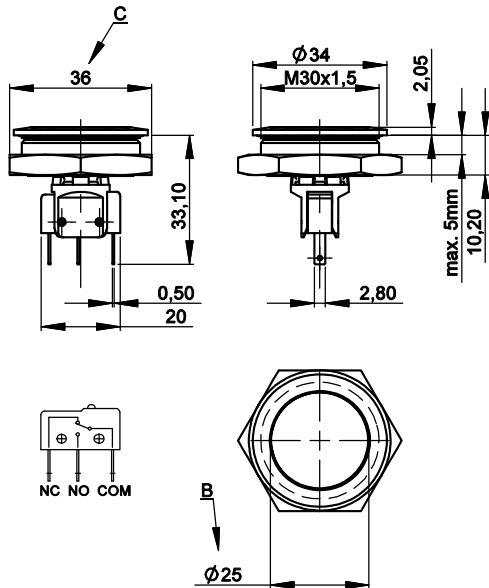
- A = Illumination Area
- B = Actuating Area
- C = Width Across Flats
- D = Knurled Nut

Changes that contribute to technical improvement are subject to alternations

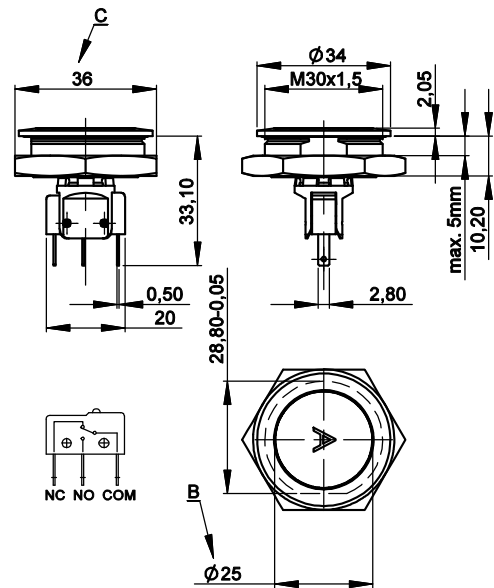
Seite	Erstelldatum:	Ersteller:	Änderungsdatum:	Geändert von:	Änderungs-Nr.	Datenblatt Nr.	Index
8 of 21	05.11.2004	Ullmer	07.03.2008	Schillak	9674	105.9502	k

2.2.4 Component dimensions MSM 30

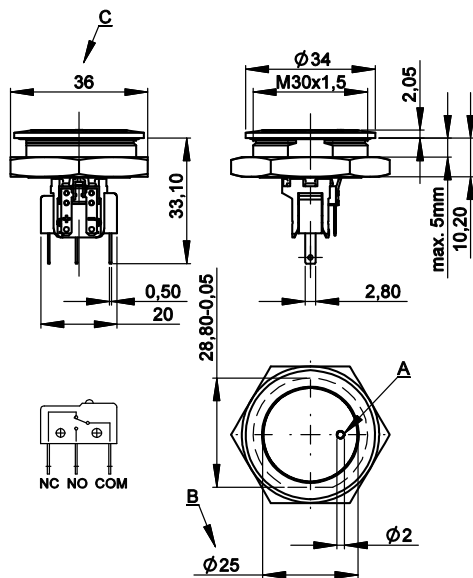
MSM 30 ST



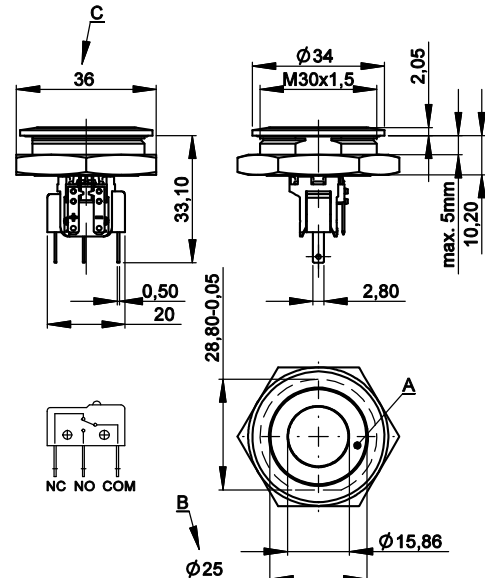
MSM 30 LE



MSM 30 PI



MSM 30 RI



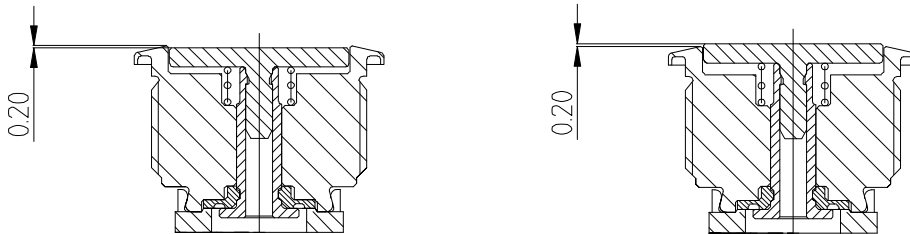
Legend

- A = Illumination Area
- B = Actuating Area
- C = Width Across Flats
- D = Knurled Nut

Changes that contribute to technical improvement are subject to alternations

Seite	Erstelldatum:	Ersteller:	Änderungsdatum:	Geändert von:	Änderungs-Nr.	Datenblatt Nr.	Index
9 of 21	05.11.2004	Ullmer	07.03.2008	Schillak	9674	105.9502	k

2.3 Actuator Tolerance Range



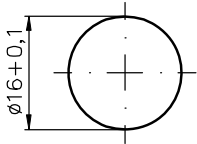
The mounting tolerance range of the actuator varies from 0.2 mm projection length and 0.2 mm short length to the housing edge. The slanting position of the actuator can range within this tolerance.

Changes that contribute to technical improvement are subject to alternations

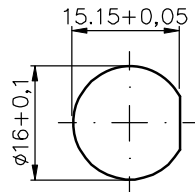
Seite	Erstelldatum:	Ersteller:	Änderungsdatum:	Geändert von:	Änderungs-Nr.	Datenblatt Nr.	Index
10 of 21	05.11.2004	Ullmer	07.03.2008	Schillak	9674	105.9502	k

2.4 Hole dimensions

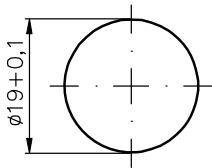
MSM 16 ST



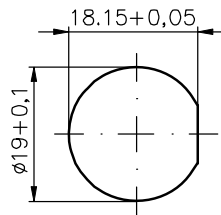
MSM 16 LE



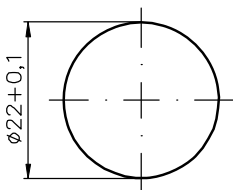
MSM 19 ST / MSM 19 RI



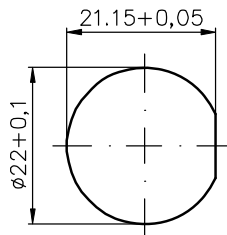
MSM 19 LE/ MSM 19 PI / MSM 19 RI optional



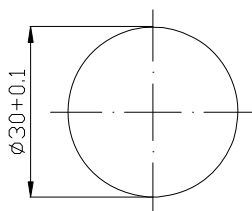
MSM 22 ST / MSM 22 RI



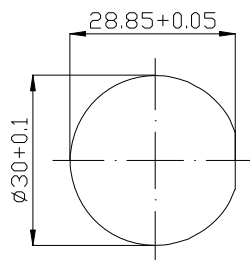
MSM 22 LE/ MSM 22 PI / MSM 22 RI optional



MSM 30 ST / MSM 30 RI



MSM 30 LE / MSM 30 PI / MSM 30 RI optional



Changes that contribute to technical improvement are subject to alternations

Seite	Erstelldatum:	Ersteller:	Änderungsdatum:	Geändert von:	Änderungs-Nr.	Datenblatt Nr.	Index
11 of 21	05.11.2004	Ullmer	07.03.2008	Schillak	9674	105.9502	k

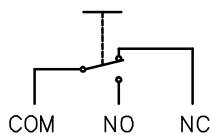
2.5 Starting Torque

	Plastic Nut max. (Nm)	Stainless Steel Nut * max. (Nm)
MSM 16	2	10
MSM 19	4.5	12
MSM 22	3.5	16
MSM 30	8	50

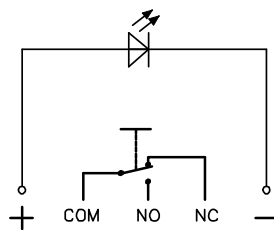
➤ * on request

2.6 Switching Symbols

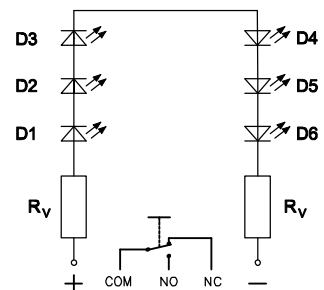
MSM ST / MSM LE



MSM PI



MSM RI



Changes that contribute to technical improvement are subject to alternations

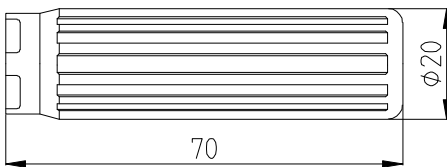
Seite	Erstelldatum:	Ersteller:	Änderungsdatum:	Geändert von:	Änderungs-Nr.	Datenblatt Nr.	Index
12 of 21	05.11.2004	Ullmer	07.03.2008	Schillak	9674	105.9502	k

Print date: 28/03/2008 08:53:00

2.7 Accessories

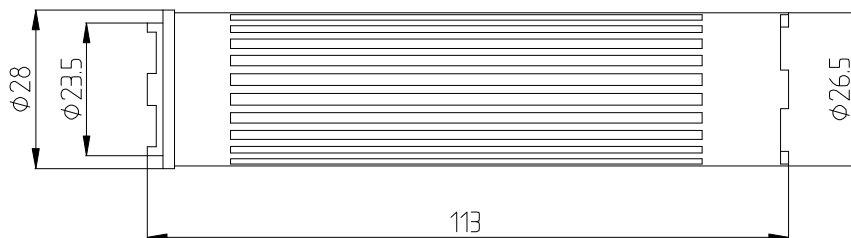
MSM 16 Installation wrench

Order number: 0853.0622



MSM 22 Installation wrench

Order number: 1141.1337



Changes that contribute to technical improvement are subject to alternations

Seite	Erstelldatum:	Ersteller:	Änderungsdatum:	Geändert von:	Änderungs-Nr.	Datenblatt Nr.	Index
13 of 21	05.11.2004	Ullmer	07.03.2008	Schillak	9674	105.9502	k

3 ORDER NUMBERS

3.1 Order numbers MSM with micro switches of protection class IP40

Mounting Diameter (mm)	Ø 16	Ø 19	Ø 22
------------------------	------	------	------

Electrical Rating max. 0.1 A / 30 VDC			
Standard	1241.6611.1110000	1241.6621.1110000	1241.6631.1110000
With Lettering	1241.6612.1110000	1241.6622.1110000	1241.6632.1110000
Point Illumination red		1241.6623.1111000	1241.6633.1111000
Point Illumination green		1241.6623.1112000	1241.6633.1112000
<i>Point Illumination blue</i>		<i>1241.6623.1114000</i>	<i>1241.6633.1114000</i>
Ring Illumination red		1241.6624.1111000	1241.6634.1111000
Ring Illumination green		1241.6624.1112000	1241.6634.1112000
<i>Ring Illumination blue</i>		<i>1241.6624.1114000</i>	<i>1241.6634.1114000</i>
Installation Wrench	0853.0622		1141.1337

Electrical Rating max. 5 A / 125 VAC or 3 A / 250 VAC			
Standard	1241.6611.1120000	1241.6621.1120000	1241.6631.1120000
With Lettering	1241.6612.1120000	1241.6622.1120000	1241.6632.1120000
Point Illumination red		1241.6623.1121000	1241.6633.1121000
Point Illumination green		1241.6623.1122000	1241.6633.1122000
Point Illumination blue		1241.6623.1124000	1241.6633.1124000
Ring Illumination red		1241.6624.1121000	1241.6634.1121000
Ring Illumination green		1241.6624.1122000	1241.6634.1122000
Ring Illumination blue		1241.6624.1124000	1241.6634.1124000
Installation Wrench	0853.0622		1141.1337

Electrical Rating max. 10 A / 250 VAC			
Standard	1241.6611.1130000	1241.6621.1130000	1241.6631.1130000
With Lettering	1241.6612.1130000	1241.6622.1130000	1241.6632.1130000
Point Illumination red		1241.6623.1131000	1241.6633.1131000
Point Illumination green		1241.6623.1132000	1241.6633.1132000
<i>Point Illumination blue</i>		<i>1241.6623.1134000</i>	<i>1241.6633.1134000</i>
Ring Illumination red		1241.6624.1131000	1241.6634.1131000
Ring Illumination green		1241.6624.1132000	1241.6634.1132000
<i>Ring Illumination blue</i>		<i>1241.6624.1134000</i>	<i>1241.6634.1134000</i>
Installation Wrench	0853.0622		1141.1337

- *Italicly written types on request*
- *At a minimum order quantity of 100 pieces the ring illuminated Version with Lettering is available on request*

Changes that contribute to technical improvement are subject to alternations							
Seite	Erstelldatum:	Ersteller:	Änderungsdatum:	Geändert von:	Änderungs-Nr.	Datenblatt Nr.	Index
14 of 21	05.11.2004	Ullmer	07.03.2008	Schillak	9674	105.9502	k

Mounting Diameter (mm)	Ø 30
------------------------	------

Electrical Rating max. 0.1 A / 30 VDC	
Standard	1241.6661.1110000
With Lettering	1241.6662.1110000
Point Illumination red	1241.6663.1111000
Point Illumination green	1241.6663.1112000
<i>Point Illumination blue</i>	<i>1241.6663.1114000</i>
Ring Illumination red	1241.6664.1111000
Ring Illumination green	1241.6664.1112000
<i>Ring Illumination blue</i>	<i>1241.6664.1114000</i>

Electrical Rating max. 5 A / 125 VAC or 3 A / 250 VAC	
Standard	1241.6661.1120000
With Lettering	1241.6662.1120000
Point Illumination red	1241.6663.1121000
Point Illumination green	1241.6663.1122000
<i>Point Illumination blue</i>	<i>1241.6663.1124000</i>
Ring Illumination red	1241.6664.1121000
Ring Illumination green	1241.6664.1122000
<i>Ring Illumination blue</i>	<i>1241.6664.1124000</i>

Electrical Rating max. 10 A / 250 VAC	
Standard	1241.6661.1130000
With Lettering	1241.6662.1130000
Point Illumination red	1241.6663.1131000
Point Illumination green	1241.6663.1132000
<i>Point Illumination blue</i>	<i>1241.6663.1134000</i>
Ring Illumination red	1241.6664.1131000
Ring Illumination green	1241.6664.1132000
<i>Ring Illumination blue</i>	<i>1241.6664.1134000</i>

- *Itally written types on request*
- *At a minimum order quantity of 100 pieces the ring illuminated Version with Lettering is available on request*

3.2 Order numbers MSM with micro switches of protection class IP 67

Mounting Diameter (mm)	Ø 19	Ø 22
------------------------	------	------

Electrical Rating max. 5A / 250VAC		
Standard	1241.6621.1180000	1241.6631.1180000
Ring Illumination red	1241.6624.1181000	1241.6634.1181000

Combinations with micro switches of the protection class IP 67 are available for following types on request:

- Standard
- With Lettering
- Point Illumination red / green / blue
- Ring Illumination red / green / blue

For other types of the MSM product family, please visit:

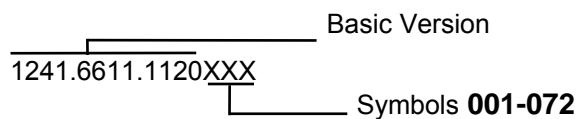
http://www.schurter.de/wwwsc/con_pg70.asp?language_id=10

3.3 Lettering

The last three digits in the order number define the lettering.

000	No Lettering
001-072	Standard Lettering
101-	Customized Lettering

Example for ordering with lettering



Ordering Indices for Lettering

001= A	016= P	031= 4	046= ⇕	061= EIN
002= B	017= Q	032= 5	047= →	062= AUS
003= C	018= R	033= 6	048= ←	063= AUF
004= D	019= S	034= 7	049= ↓	064= AB
005= E	020= T	035= 8	050= ↑	065= ON
006= F	021= U	036= 9	051= %	066= OFF
007= G	022= V	037= +	052= √	067= UP
008= H	023= W	038= –	053= CTRL	068= DOWN
009= I	024= X	039= .	054= RETURN	069= HIGH
010= J	025= Y	040= ×	055= SHIFT	070= LOW
011= K	026= Z	041= ÷	056= LOCK	071= ON/OFF
012= L	027= 0	042= *	057= STOP	072= START
013= M	028= 1	043= =	058= ENTER	
014= N	029= 2	044= #	059= BACK	
015= O	030= 3	045= ↔	060= LINE	

Changes that contribute to technical improvement are subject to alternations

Seite	Erstelldatum:	Ersteller:	Änderungsdatum:	Geändert von:	Änderungs-Nr.	Datenblatt Nr.	Index
17 of 21	05.11.2004	Ullmer	07.03.2008	Schillak	9674	105.9502	k

Lettering Size

MSM 16 LE:

Single characters: height 5 mm, font: Helvetica normal DIN1451-1E
Text, max. 3 characters height 3 mm, font: Helvetica normal DIN1451-1E
Text, max. 6 characters: height 2.5 mm, font: Helvetica condensed DIN1451-3E
Symbols (indices 037-052): capitals height 5 mm, font: True Type, Symbol

MSM 19 LE / MSM 19 PI :

Single characters: height 8 mm, font: Helvetica normal DIN1451-1E
Text, max. 3 characters height 3 mm, font: Helvetica normal DIN1451-1E
Text, max. 6 characters: height 2.5 mm, font: Helvetica condensed DIN1451-3E
Symbols (indices 037-052): capitals height 8 mm, font: True Type, Symbol

MSM 22 LE / MSM 22 PI :

Single characters: height 8 mm, font: Helvetica normal DIN1451-1E
Text, max. 3 characters height 3 mm, font: Helvetica normal DIN1451-1E
Text, max. 6 characters: height 2.5 mm, font: Helvetica condensed DIN1451-3E
Symbols (indices 037-052): capitals height 8 mm, font: True Type, Symbol

MSM 30 LE / MSM 30 PI :

Single characters: height 12 mm, font: Helvetica normal DIN1451-1E
Text, max. 3 characters: height 7 mm, font: Helvetica normal DIN1451-1E
Text, max. 6 characters: height 3.5 mm, font: Helvetica condensed DIN1451-3E
Symbols (indices 037-052): capitals height 12 mm, font: True Type, Symbol

MSM 19 RI * / MSM 22 RI *:

Single characters: *height 5 mm, font: Helvetica normal DIN1451-1E*
Text, max. 3 characters *height 3 mm, font: Helvetica normal DIN1451-1E*
Symbols (indices 037-052): *capitals height 5 mm, font: True Type, Symbol*

MSM 30 RI *:

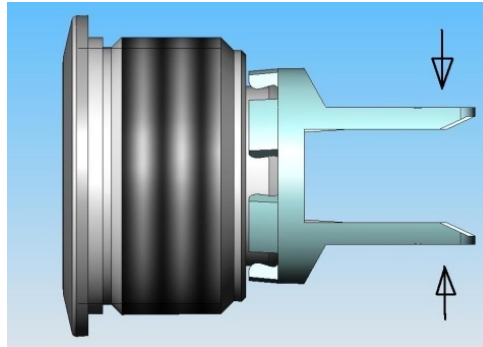
Single characters: *height 8 mm, font: Helvetica normal DIN1451-1E*
Text, max. 3 characters *height 3 mm, font: Helvetica normal DIN1451-1E*
Text, max. 6 characters: *height 2.5 mm, font: Helvetica condensed DIN1451-3E*
Symbols (indices 037-052): *capitals height 8 mm, font: True Type, Symbol*

- ** At a minimum order quantity of 100 pieces the ring illuminated Version with Lettering is available on request*

Changes that contribute to technical improvement are subject to alternations							
Seite	Erstelldatum:	Ersteller:	Änderungsdatum:	Geändert von:	Änderungs-Nr.	Datenblatt Nr.	Index
18 of 21	05.11.2004	Ullmer	07.03.2008	Schillak	9674	105.9502	k

4 ASSEMBLY

During assembly, the protruding bars of the holder should not be pressed together.

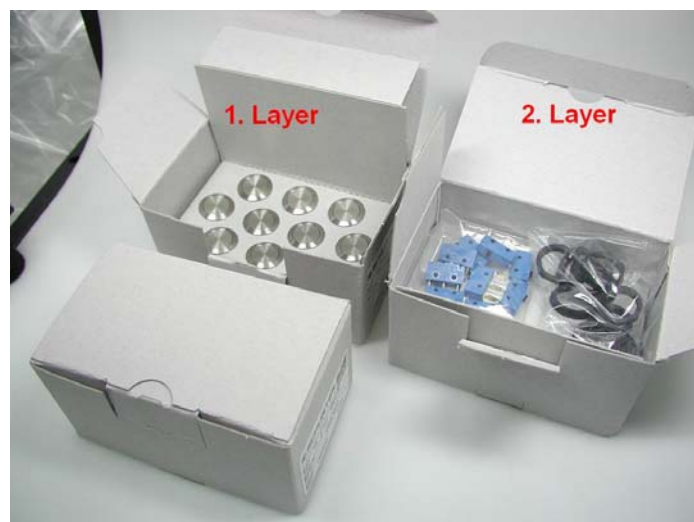


5 PACKAGING

MSM Switch

MSM 16		10 pieces per box with inlay
MSM 19		10 pieces per box with inlay
MSM 22		10 pieces per box with inlay
MSM 30	1 piece in air cushion bag	10 pieces per box

The nuts with gaskets and corresponding micro switches are packed separately and enclosed in the box.



Changes that contribute to technical improvement are subject to alternations

Seite	Erstelldatum:	Ersteller:	Änderungsdatum:	Geändert von:	Änderungs-Nr.	Datenblatt Nr.	Index
19 of 21	05.11.2004	Ullmer	07.03.2008	Schillak	9674	105.9502	k

6 QUALIFICATION TEST

6.1 IP Protection Class

IP Protection Class IEC/DIN/EN/ 60529	IP 67
---------------------------------------	-------

6.2 IK Protection Class

Tested Centrally

IK Protection Class DIN EN 50102 Mounting Diameter 16 mm	IK 06
IK Protection Class DIN EN 50102 Mounting Diameter 19, 22, 30 mm	IK 07

6.3 ESD Protection

ESD-Test according to DIN 61000-4-2:

4kV Contact Discharge	MSM ST	Ø 16; 19; 22; 30 mm
4kV Contact Discharge	MSM LE	Ø 16; 19; 22; 30 mm

6.4 Salt Spray Test

Salt spray test according to DIN 50021- SS
24h, 48h and 96h residence time

The surface of the stainless steel material is covered with a molecular-passive layer. Only under very unfavourable conditions it is possible, that iron and rust molecules as well as base metals penetrate the passive layer as foreign substances (pollutions) and initiate the rust process.

The smoothness of the actuator was not affected. After the residence time the tested samples were cleaned under running water and all rust spots could be removed.

Changes that contribute to technical improvement are subject to alternations							
Seite	Erstelldatum:	Ersteller:	Änderungsdatum:	Geändert von:	Änderungs-Nr.	Datenblatt Nr.	Index
20 of 21	05.11.2004	Ullmer	07.03.2008	Schillak	9674	105.9502	k

7 APPROVALS

The listed approvals only refer to the micro switch and not to the complete switch.

Micro switch:

Type	Licence number	ENEC VDE / KEMA	UL 1054 CSA C22.2 NO55
1050.1151	097550	DIN EN 61058	E41791
1050.1102	097550	DIN EN 61058	E41791
1050.1103	097550	DIN EN 61058	E41791
SS-01 T	40008425	DIN EN 61058	E41515
SS-5 T	129246	DIN EN 61058	E41515
SS-10 T	125256	DIN EN 61058	E41515
DC3GL1AA	2089323.01	DIN EN 61058	E23301
DC1GL1AA	2089323.01	DIN EN 61058	E23301
DC2GL1AA	2089323.01	DIN EN 61058	E23301

8 ROHS COMPLIANT

All articles are ROHS-compliant.



Changes that contribute to technical improvement are subject to alternations

Seite	Erstelldatum:	Ersteller:	Änderungsdatum:	Geändert von:	Änderungs-Nr.	Datenblatt Nr.	Index
21 of 21	05.11.2004	Ullmer	07.03.2008	Schillak	9674	105.9502	k

Print date: 28/03/2008 08:53:00

Mouser Electronics

Authorized Distributor

Click to View Pricing, Inventory, Delivery & Lifecycle Information:

[Schurter:](#)

[1241.6634.1134000](#)