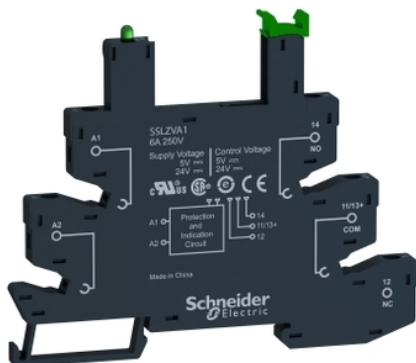


Product availability: Stock - Normally stocked in distribution facility



Main

Range of product	Zelio Relay
Product or component type	Socket
Device short name	SSLZ
Sale per indivisible quantity	10

Complementary

Contact terminal arrangement	Separate
Product compatibility	Solid state relay SSL with NO contact at 24 V DC Solid state relay SSL with NO contact at 5 V DC
Shape of pin	Flat
[Ith] conventional free air thermal current	6 A
[Ith] conventional free air thermal current	6 A
System Voltage	< 250 V DC
Connections - terminals	Screw clamp terminals 1 x 0.2...1 x 2.5 mm ² - AWG 24...AWG 14 , solid cable without cable end Screw clamp terminals 1 x 0.2...1 x 2.5 mm ² - AWG 24...AWG 14 , flexible cable with cable end
Tightening torque	< 0.5 N.m - screw type M2.5
Fixing mode	By clip-on 35 mm DIN rail
Switching voltage	5 V DC 24 V DC
Local signalling	LED green input status
Width	0.24 in (6.2 mm)
Height	3.98 in (101 mm)
Depth	78.6 mm
Product weight	0.06 lb(US) (0.0285 kg)

Environment

Flame retardance	V0 conforming to UL 94
Standards	IEC 61984
Product certifications	UL 508 RoHS CSA C22-2 No 14 REACH
Marking	CE
Ambient air temperature for storage	-40...185 °F (-40...85 °C)
Ambient air temperature for operation	-40...158 °F (-40...70 °C)
IP degree of protection	IP20
Dielectric strength	2500 V

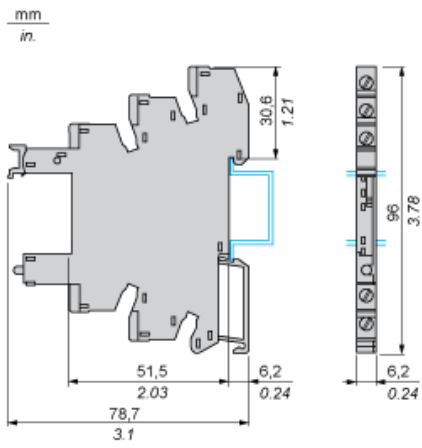
Ordering and shipping details

Category	21127 - ZELIO ICE CUBE RELAYS
Discount Schedule	CP2
GTIN	00785901968306
Nbr. of units in pkg.	10
Package weight(Lbs)	5.0000000000000003E-2
Returnability	Y
Country of origin	CN

Offer Sustainability

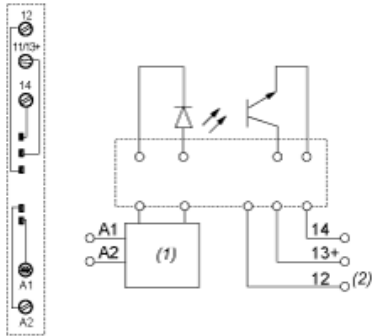
Sustainable offer status	Green Premium product
RoHS (date code: YYWW)	Compliant - since 1417 - Schneider Electric declaration of conformity Schneider Electric declaration of conformity
REACH	Reference not containing SVHC above the threshold
Product environmental profile	Available
Product end of life instructions	Need no specific recycling operations
California proposition 65	WARNING: This product can expose you to chemicals including:
----- Substance 1	Nickel compounds, which is known to the State of California to cause cancer, and
----- Substance 2	Di-isodecyl phthalate (DIDP), which is known to the State of California to cause birth defects or other reproductive harm.
----- More information	For more information go to www.p65warnings.ca.gov

Dimensions



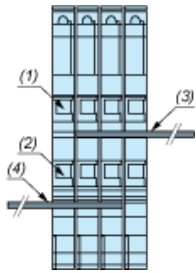
Wiring Diagram

Wiring Diagram for DC Output



- (1) Protection circuit
- (2) Terminal 12 is not in use for SSL Relay

Example of RSLZ2 Bus Jumper Mounting on Sockets



- (1) A1
- (2) A2
- (3) Bus jumper polarity A1
- (4) Bus jumper polarity A2

Mouser Electronics

Authorized Distributor

Click to View Pricing, Inventory, Delivery & Lifecycle Information:

[Schneider Electric:](#)

[SSLZVA1](#)