

Product availability: Stock - Normally stocked in distribution facility



Main

Range of product	Zelio Relay
Accessory / separate part category	Mounting accessory
Accessory / separate part type	Maintaining clamp
Sale per indivisible quantity	10

Complementary

Accessory material	Plastic
Accessory / separate part destination	Zelio Relay RXM
Product compatibility	Socket RXZ (2 C/O) Socket RXZ (3 C/O) Socket RXZ (4 C/O)
Product weight	0.01 lb(US) (0.005 kg)

Ordering and shipping details

Category	21128 - ZELIO ICE CUBE RELAY ACCESSORIES
Discount Schedule	CP2
GTIN	00785901758105
Nbr. of units in pkg.	10
Package weight(Lbs)	0.01
Returnability	Y
Country of origin	CN

Offer Sustainability

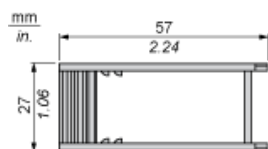
California proposition 65	WARNING: This product can expose you to chemicals including:
----- Substance 1	Nickel compounds, which is known to the State of California to cause cancer, and
----- Substance 2	Di-isodecyl phthalate (DIDP), which is known to the State of California to cause birth defects or other reproductive harm.
----- More information	For more information go to www.p65warnings.ca.gov

Contractual warranty

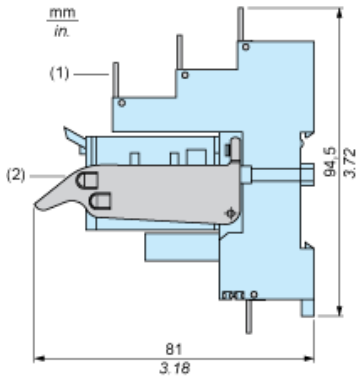
Warranty period	18 months
-----------------	-----------

The information provided in this documentation contains general descriptions and/or technical characteristics of the performance of the products contained herein. This documentation is not intended as a substitute for and is not to be used for determining suitability or reliability of these products for specific user applications. It is the duty of any such user or integrator to perform the appropriate and complete risk analysis, evaluation and testing of the products with respect to the relevant specific application or use thereof. Neither Schneider Electric Industries SAS nor any of its affiliates or subsidiaries shall be responsible or liable for misuse of the information contained herein.

Dimensions



Mounting on All Sockets (1)



- (1) Clip-in legends for all sockets except RXZE2M114
- (2) Plastic clamp

Mouser Electronics

Authorized Distributor

Click to View Pricing, Inventory, Delivery & Lifecycle Information:

[Schneider Electric:](#)

[RXZR335](#)