

SR2MOD02

modem interface - GSM - for communication
interface SR2COM01

Product availability: Non-Stock - Not normally stocked in distribution facility



Main

Range of product	Zelio Logic
Product or component type	GSM modem
Type of modem	Type quad band 900/1800 MHz, 850/1900 MHz
Data backed up	Flash memory

Complementary

Kit composition	1 antenna with cable 1 supply cable Fixing on DIN rail (assembled with the GSM modem) GSM modem 2 lugs for plate mounting
Function available	Transfer program Send alarm to e-mail address Send alarm/receive instruction Update firmware monitoring
Number of messages	<= 28
Electrical data recording	Date and time Telephone/E-mail Discrete and digital value
[Us] rated supply voltage	12...24 V DC
Supply voltage limits	5.5...32 V
Supply current	165 mA at 12 V <= 2100 mA at 5.5 V 87 A at 24 V
Power dissipation in W	2.1 W
Associated fuse rating	2.5 A
Electrical connection	1 antenna with cable 1 cable 1 cable Com-M Com-M specific to Zelio RS232 serial, specific Zelio communication protocol link with the modem, AT commands 1 cable Com-Z Com-Z specific to Zelio, specific Zelio communication protocol Zelio Logic smart relays SR.B..... and SR2 E..... Version (>= V3.1) Supply cable
Cable length	4.92 ft (1.5 m) supply cable 8.2 ft (2.5 m) antenna with cable
Insulation	1780 V optocoupler, connector type: Com-Z specific to Zelio By the cable SR2 CBL07, connector type: Com-M specific to Zelio
Connections - terminals	Screw terminals, 1 x 0.25...1 x 2.5 mm ² , AWG 24...AWG 14, semi-solid cable Screw terminals, 1 x 0.25...1 x 2.5 mm ² , AWG 24...AWG 14, solid cable Screw terminals, 2 x 0.25...2 x 1.5 mm ² , AWG 23...AWG 16, solid cable Screw terminals, 1 x 0.25...1 x 2.5 mm ² , AWG 24...AWG 14, flexible cable with cable end Screw terminals, 2 x 0.25...2 x 0.75 mm ² , AWG 24...AWG 18, flexible cable with cable end
Tightening torque	4.42 lbf.in (0.5 N.m)
Product weight	0.74 lb(US) (0.335 kg)

The information provided in this documentation contains general descriptions and/or technical characteristics of the performance of the products contained herein. This documentation is not intended as a substitute for and is not to be used for determining suitability or reliability of these products for specific user applications. It is the duty of any such user or integrator to perform the appropriate and complete risk analysis, evaluation and testing of the products with respect to the relevant specific application or use thereof. Neither Schneider Electric Industries SAS nor any of its affiliates or subsidiaries shall be responsible or liable for misuse of the information contained herein.

Environment

Product certifications	PTCRB CSA C-Tick UL FCC part 15 standard GOST IC
Standards	EN/IEC 60068-2-32 EN/IEC 60068-2-6 Fc
Electromagnetic compatibility	Conducted and radiated emissions, class B group 1 conforming to EN 55022-11
IP degree of protection	IP31 conforming to IEC 60529
Environmental characteristic	R and TTE directive conforming to ETSI EN 301 489-7 R and TTE directive conforming to ETSI EN 301 511 EMC directive conforming to ETSI EN 301 489-1 Low voltage directive conforming to EN/IEC 60950-1 R and TTE directive conforming to ETSI EN 301419-1
Pollution degree	2 conforming to EN/IEC 61131-2
Ambient air temperature for operation	-4...131 °F (-20...55 °C) conforming to IEC 60068-2-1 -4...131 °F (-20...55 °C) conforming to IEC 60068-2-2
Ambient air temperature for storage	-40...158 °F (-40...70 °C)
Operating altitude	6561.68 ft (2000 m)
Altitude transport	<= 10000 ft (3048 m)
Relative humidity	0...95 % at 55 °C without condensation 0...95 % without condensation, during storage

Ordering and shipping details

Category	22378 - SR,2,3 ZELIO 2 RELAYS
Discount Schedule	I
GTIN	00785901878360
Nbr. of units in pkg.	1
Package weight(Lbs)	0.52000000000000002
Returnability	N
Country of origin	FR

Offer Sustainability

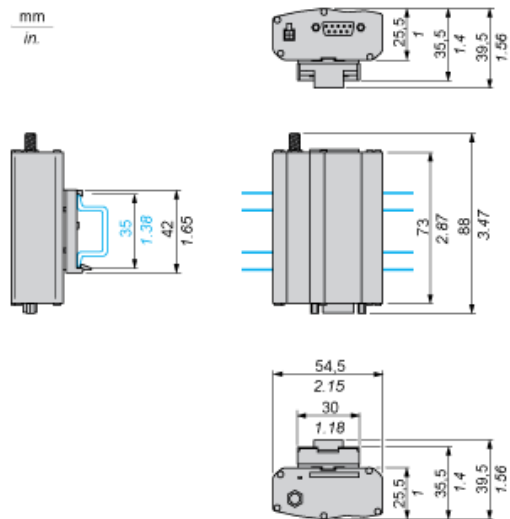
RoHS (date code: YYWW)	Compliant - since 0626 - Schneider Electric declaration of conformity Schneider Electric declaration of conformity
REACH	Reference not containing SVHC above the threshold
California proposition 65	WARNING: This product can expose you to chemicals including:
----- Substance 1	Lead and lead compounds, which is known to the State of California to cause cancer and birth defects or other reproductive harm.
----- More information	For more information go to www.p65warnings.ca.gov

Contractual warranty

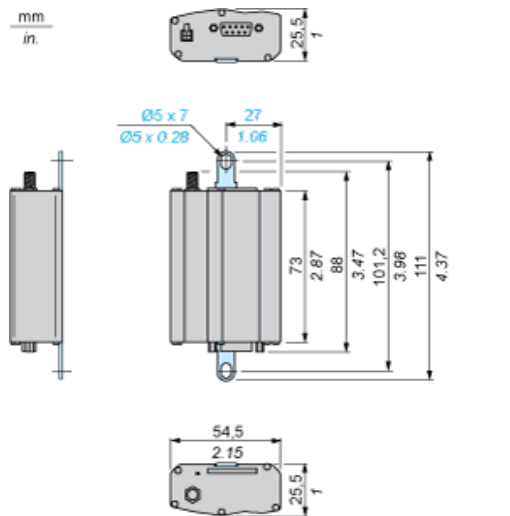
Warranty period	18 months
-----------------	-----------

GSM Modem

Rail Mounting



Screw Fixing



Mouser Electronics

Authorized Distributor

Click to View Pricing, Inventory, Delivery & Lifecycle Information:

[Schneider Electric:](#)

[SR2MOD02](#)