



Product availability: Non-Stock - Not normally stocked in distribution facility



## Main

Range of product	Zelio Control
Product or component type	Modular measurement and control relays
Relay type	Temperature control relays
Product specific application	Packaging Industrial machines Heating or cooling HVAC
Relay name	RTC

## Complementary

Outer dimension	1/16 DIN 48 x 48 mm
Analogue input type	Thermocouple (thermocouple J, K, R, B, S, T, E, N, PLII, C(W/Re5-26)) Temperature probe (temperature probe: Pt 100, JPt 100) Voltage 0...1 V DC Voltage 0...5 V DC Voltage 1...5 V DC Current 0...20 mA Current 4...20 mA Voltage 0...10 V DC
[Us] rated supply voltage	100...240 V AC
[Us] rated supply voltage	100...240 V AC
Supply voltage limits	85...264 V
Measurement accuracy	0.2 % full scale
Sampling duration	250 ms
Number of outputs	1 relay output with NO contact output 1 1 relay output with NO contact output 2
Output type	Relay output at 250 V AC / 3 A on resistive load Relay output at 250 V AC / 1 A on inductive load
Alarm output	1 C/O
Power consumption in VA	<= 8 VA at 250 V AC
Communication port protocol	Modbus RTU and ASCII
Method of access	Slave
Transmission frame	RTU/ASCII
Physical interface	RS485 non isolated
Exchange mode	Half duplex
Transmission rate	9600, 19200 kbit/s
Function available	PID Auto tuning
Marking	CE
Operating position	Any position
Display type	11 segments LCD
Display digits	5
Signalling function	Process value green, orange and red Output status (OUT1, OUT2) orange Alarm status (EV1, EV2) orange Transmission/Reception activity (TX/TR) orange Setpoint value green

The information provided in this documentation contains general descriptions and/or technical characteristics of the performance of the products contained herein. This documentation is not intended as a substitute for and is not to be used for determining suitability or reliability of these products for specific user applications. It is the duty of any such user or integrator to perform the appropriate and complete risk analysis, evaluation and testing of the products with respect to the relevant specific application or use thereof. Neither Schneider Electric Industries SAS nor any of its affiliates or subsidiaries shall be responsible or liable for misuse of the information contained herein.

Mounting support	Panel
Product weight	4.23 oz (120 g)

## Environment

Standards	EN 61010-1 CSA C22.2 No 24-93 EN 61326-1
Product certifications	CURus (873)
Ambient air temperature for storage	-13...176 °F (-25...80 °C)
Ambient air temperature for operation	32...122 °F (0...50 °C)
Relative humidity	35...85 % without condensation
Vibration resistance	1 gn at 10...55 Hz conforming to IEC 60068-2-6
Shock resistance	10 gn conforming to IEC 60068-2-27
IP degree of protection	IP20 (rear) IP66 (front face) conforming to IEC 60529
NEMA degree of protection	NEMA 4X (front face)

## Ordering and shipping details

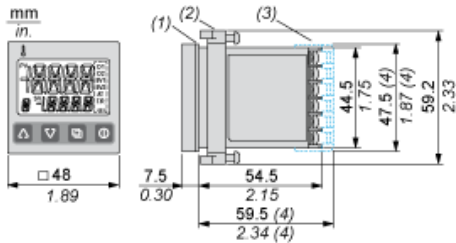
Category	22380 - RELAYS-MEASUREMENT (RM17-RM35)
Discount Schedule	CP2
GTIN	00785901904564
Nbr. of units in pkg.	1
Package weight(Lbs)	0.26000000000000001
Returnability	N
Country of origin	JP

## Offer Sustainability

Sustainable offer status	Green Premium product
RoHS (date code: YYWW)	Compliant - since 1314 - Schneider Electric declaration of conformity <a href="#">Schneider Electric declaration of conformity</a>
REACH	Reference not containing SVHC above the threshold
Product environmental profile	Available
Product end of life instructions	Available
California proposition 65	WARNING: This product can expose you to chemicals including:
----- Substance 1	Lead and lead compounds, which is known to the State of California to cause cancer and birth defects or other reproductive harm.
----- More information	For more information go to <a href="http://www.p65warnings.ca.gov">www.p65warnings.ca.gov</a>

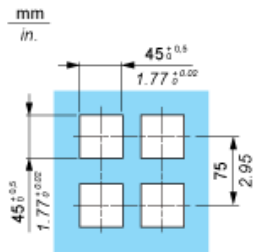
48 x 48 Size – 1/16 DIN Standard

Panel Mounting : Mounting Frame Supplied

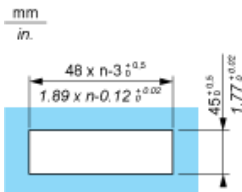


- (1) Gasket
- (2) Mounting frame
- (3) Terminal cover, to be ordered separately.
- (4) When Terminal cover (sold separately) is used

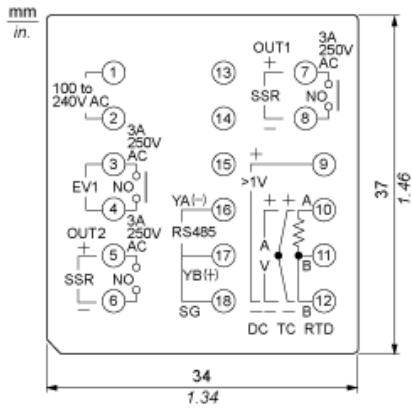
Panel cut-out



Side stick mounting: n units (water-proof property lost in this case)



Wiring Diagram



- EV : Alarm output
- OUT :Control output
- DC : DC current or DC voltage input
- TC : Thermocouple input
- RTD :Resistance temperature detector input
- RS485:Serial communication
- SSR :Solid State relay

# Mouser Electronics

Authorized Distributor

Click to View Pricing, Inventory, Delivery & Lifecycle Information:

[Schneider Electric:](#)

[RTC48PUNCRRHU](#)