



Product availability: Non-Stock - Not normally stocked in distribution facility



## Main

|                              |  |
|------------------------------|--|
| Range of product             | Zelio Control  |
| Product or component type    | Modular measurement and control relays                         |
| Relay type                   | Temperature control relays                                     |
| Product specific application | Packaging<br>Industrial machines<br>Heating or cooling<br>HVAC |
| Relay name                   | RTC  |

## Complementary

|                           |  |
|---------------------------|--|
| Outer dimension           | 48 x 48 mm<br>1/16 DIN   |
| Analogue input type       | Thermocouple (thermocouple J, K, R, B, S, T, E, N, PLII, C(W/Re5-26))<br>Temperature probe (temperature probe: Pt 100, JPt 100)<br>Voltage 0...1 V DC<br>Voltage 0...5 V DC<br>Voltage 1...5 V DC<br>Current 0...20 mA<br>Current 4...20 mA<br>Voltage 0...10 V DC |
| [Us] rated supply voltage | 100...240 V AC   |
| Supply voltage limits     | 85...264 V   |
| Measurement accuracy      | 0.2 % full scale   |
| Sampling duration         | 250 ms   |
| Number of outputs         | 1 solid state output output 1<br>1 solid state output output 2   |
| Output type               | Solid state output at 12 V DC / 40 mA  |
| Alarm output              | 1 C/O  |
| Power consumption in VA   | <= 8 VA at 250 V AC  |
| Function available        | PID<br>Auto tuning   |
| Marking                   | CE   |
| Operating position        | Any position   |
| Display type              | 11 segments LCD  |
| Display digits            | 5  |
| Signalling function       | Process value green, orange and red<br>Output status (OUT1, OUT2) orange<br>Alarm status (EV1, EV2) orange<br>Transmission/Reception activity (TX/TR) orange<br>Setpoint value green   |
| Mounting support          | Panel  |
| Product weight            | 4.23 oz (120 g)  |

The information provided in this documentation contains general descriptions and/or technical characteristics of the performance of the products contained herein. This documentation is not intended as a substitute for and is not to be used for determining suitability or reliability of these products for specific user applications. It is the duty of any such user or integrator to perform the appropriate and complete risk analysis, evaluation and testing of the products with respect to the relevant specific application or use thereof. Neither Schneider Electric Industries SAS nor any of its affiliates or subsidiaries shall be responsible or liable for misuse of the information contained herein.


## Environment

|                                       |  |
|---------------------------------------|--|
| Standards                             | EN 61326-1<br>CSA C22.2 No 24-93<br>EN 61010-1           |
| Product certifications                | CURus (873)  |
| Ambient air temperature for storage   | -13...176 °F (-25...80 °C)                               |
| Ambient air temperature for operation | 32...122 °F (0...50 °C)                                  |
| Relative humidity                     | 35...85 % without condensation                           |
| Vibration resistance                  | 1 gn at 10...55 Hz conforming to IEC 60068-2-6           |
| Shock resistance                      | 10 gn conforming to IEC 60068-2-27                       |
| IP degree of protection               | IP20 (rear)<br>IP66 (front face) conforming to IEC 60529 |
| NEMA degree of protection             | NEMA 4X (front face)                                     |

## Ordering and shipping details

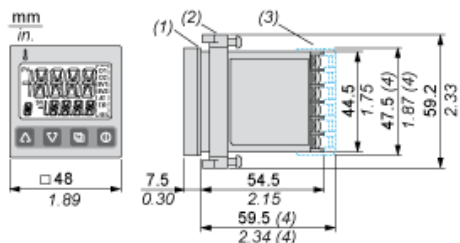
|                       |  |
|-----------------------|--|
| Category              | 22380 - RELAYS-MEASUREMENT (RM17-RM35) |
| Discount Schedule     | CP2                                    |
| GTIN                  | 00785901804239                         |
| Nbr. of units in pkg. | 1                                      |
| Package weight(Lbs)   | 0.26000000000000001                    |
| Returnability         | N                                      |
| Country of origin     | JP                                     |

## Offer Sustainability

|                                  |  |
|----------------------------------|--|
| Sustainable offer status         | Green Premium product  |
| RoHS (date code: YYWW)           | Compliant - since 1314 - Schneider Electric declaration of conformity  Schneider Electric declaration of conformity |
| REACH                            | Reference not containing SVHC above the threshold  |
| Product environmental profile    | Available  |
| Product end of life instructions | Available  |
| California proposition 65        | WARNING: This product can expose you to chemicals including:   |
| ----- Substance 1                | Lead and lead compounds, which is known to the State of California to cause cancer and birth defects or other reproductive harm.   |
| ----- More information           | For more information go to <a href="http://www.p65warnings.ca.gov">www.p65warnings.ca.gov</a>  |

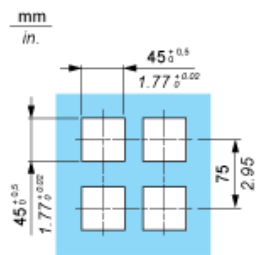
48 x 48 Size – 1/16 DIN Standard

Panel Mounting : Mounting Frame Supplied

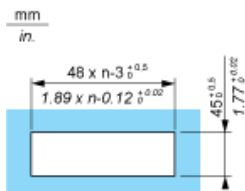


- (1) Gasket
- (2) Mounting frame
- (3) Terminal cover, to be ordered separately.
- (4) When Terminal cover (sold separately) is used

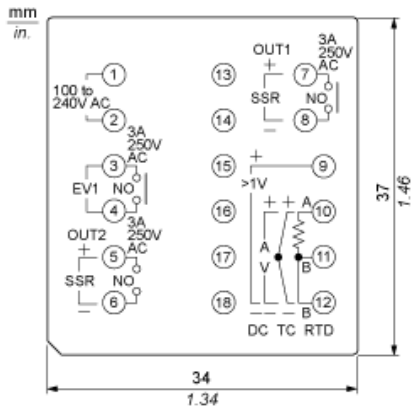
Panel cut-out



Side stick mounting: n units (water-proof property lost in this case)



Wiring Diagram



- EV : Alarm output
- OUT :Control output
- DC : DC current or DC voltage input
- TC : Thermocouple input
- RTD :Resistance temperature detector input
- SSR :Solid State relay

# Mouser Electronics

Authorized Distributor

Click to View Pricing, Inventory, Delivery & Lifecycle Information:

[Schneider Electric:](#)

[RTC48PUN1SSHU](#)