



Main

| | |
|-------------------------------|---|
| Product or Component Type | Biometric switch |
| Product specific application | Industrial machines Materials handling |
| Device short name | XB5S |
| Bezel material | Dark grey plastic |
| Mounting diameter | 0.87 in (22 mm) |
| Output type | PNP |
| Sale per indivisible quantity | 1 |
| IP degree of protection | IP20 EN/IEC 60529 rear face) IP65 EN/IEC 60529 front face) |
| Type of operator | Stay put |
| Operator position information | 2 positions |
| Operator profile | Fingerprint reader |
| Connections - terminals | 1 pre-wired cable, 3 x 0.11 mm ² |
| Memory usage | 200 users with up to 2 fingerprints per user |

Complementary

| | |
|---------------------------|---|
| Product Compatibility | Magelis Panel PC Magelis iPC industrial PCs |
| Software designation | Vijeo Designer |
| Enclosure Material | Polyamide PA66 |
| Cable insulation material | PvR |
| Operating position | Flat surface installation Vertical surface installation Horizontal position |
| Net Weight | 0.45 lb(US) (0.202 kg) |
| Marking | CE |
| Port protocol | USB |
| Connector type | USB type A male 3.28 ft (1 m) |
| Short-circuit protection | 250 mA external fuse gG |
| [Us] rated supply voltage | 24 V DC |
| Electrical connection | Free wire ends 3 6.56 ft (2 m) |
| Supply voltage limits | 20...30 V DC |
| Protection Type | Reverse polarity Short-circuit Overload protection |
| Maximum switching current | 200 mA |
| [Ures] residual voltage | 1 V closed state |
| Current consumption | <= 70 mA no-load |
| Maximum delay first up | 3 s + 0.5 ms per user registered |
| Maximum delay recovery | 1.5 s |
| Maximum delay response | 1.5 s |

Environment

| | |
|---------------------------------------|--|
| Range of Product | Harmony XB5S |
| Ambient Air Temperature for Storage | -13...158 °F (-25...70 °C) |
| Ambient Air Temperature for Operation | 23...122 °F (-5...50 °C) |
| NEMA degree of protection | NEMA 12 |
| Standards | IEC 61000-6-2 IEC 61000-6-4 |
| Product certifications | CSA UL |
| Vibration resistance | +/- 3 mm 5...9 Hz)IEC 60068-2-6 1 gn 9...500 Hz)IEC 60068-2-6 |
| Shock resistance | 50 gn 11 ms IEC 60068-2-27 |

Ordering and shipping details

| | |
|-----------------------|--|
| Category | 22471-BIOMETRIC PUSHBUTTON DO NOT NEGOT. |
| Discount Schedule | I |
| GTIN | 00785901665915 |
| Nbr. of units in pkg. | 1 |
| Package weight(Lbs) | 0.44 lb(US) (0.20 kg) |
| Returnability | No |
| Country of origin | FR |

Packing Units

| | |
|------------------|----------|
| Package 1 Height | 0.660 dm |
| Package 1 width | 0.950 dm |
| Package 1 Length | 1.850 dm |

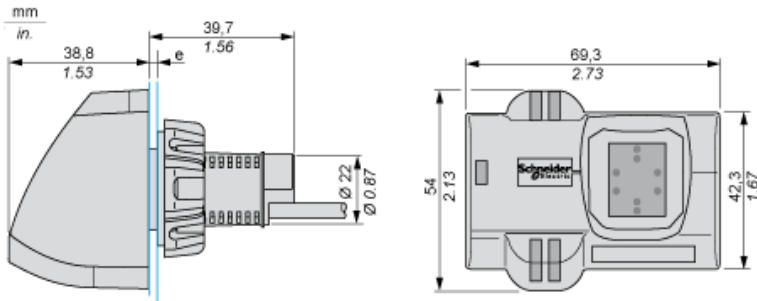
Offer Sustainability

| | |
|----------------------------|---|
| California proposition 65 | WARNING: This product can expose you to chemicals including: Lead and lead compounds, which is known to the State of California to cause cancer and birth defects or other reproductive harm. For more information go to www.P65Warnings.ca.gov |
| REACH Regulation | REACH Declaration |
| EU RoHS Directive | Pro-active compliance (Product out of EU RoHS legal scope) EU RoHS Declaration |
| Mercury free | Yes |
| RoHS exemption information | Yes |
| China RoHS Regulation | China RoHS Declaration |
| Environmental Disclosure | Product Environmental Profile |
| WEEE | The product must be disposed on European Union markets following specific waste collection and never end up in rubbish bins. |

Contractual warranty

| | |
|----------|-----------|
| Warranty | 18 months |
|----------|-----------|

Dimensions of Biometric Switches



e: 1 to 6 mm / 0.04 to 0.24 in.

Mouser Electronics

Authorized Distributor

Click to View Pricing, Inventory, Delivery & Lifecycle Information:

[Schneider Electric:](#)

[XB5S5B2L2](#)