

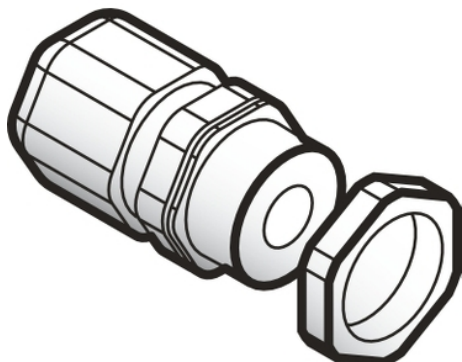
Product data sheet

Characteristics

DE9PEM20010

M20 x 1.5 cable gland for use with Ø 6 to 12 mm cable

Product availability: Non-Stock - Not normally stocked in distribution facility



Main

Accessory / separate part category	Separate parts
Accessory / separate part type	Cable gland
Thread type	M20 x 1.5
Accessory / separate part destination	Ø 6 to 12 mm unarmoured cable
Sale per indivisible quantity	10

Complementary

Housing material	Plastic
Material	PA66
Colour	Grey RAL 7035
Product weight	0.02 lb(US) (0.01 kg)

Environment

Environmental health and issues	Halogen free
IP degree of protection	IP68
Product certifications	CE CSA UR

Ordering and shipping details

Category	22449 - LIMIT SWITCHES,ACCESSORIES
Discount Schedule	T
GTIN	003389119079037
Nbr. of units in pkg.	10
Package weight(Lbs)	0.01
Returnability	N
Country of origin	FR

Offer Sustainability

California proposition 65	WARNING: This product can expose you to chemicals including:
----- Substance 1	Diisononyl phthalate (DINP), which is known to the State of California to cause cancer, and
----- Substance 2	Di-isodecyl phthalate (DIDP), which is known to the State of California to cause birth defects or other reproductive harm.
----- More information	For more information go to www.p65warnings.ca.gov

Contractual warranty

Warranty period	18 months
-----------------	-----------

Mouser Electronics

Authorized Distributor

Click to View Pricing, Inventory, Delivery & Lifecycle Information:

[Schneider Electric:](#)

[DE9PEM20010](#)