



## Main

|                               |                              |
|-------------------------------|------------------------------|
| Range of product              | OsiSense XU                  |
| Series name                   | General purpose single mode  |
| Electronic sensor type        | Photo-electric sensor        |
| Sensor name                   | XUX                          |
| Sensor design                 | Compact 92 x 71              |
| Detection system              | Diffuse                      |
| Material                      | Plastic                      |
| Type of output signal         | Discrete                     |
| Supply circuit type           | DC                           |
| Wiring technique              | 3-wire                       |
| Discrete output type          | PNP                          |
| Discrete output function      | 1 NO                         |
| Electrical connection         | 1 male connector M12, 4 pins |
| Product specific application  | -                            |
| Emission                      | Infrared diffuse             |
| [Sn] nominal sensing distance | 6.89 ft (2.1 m) diffuse      |

## Complementary

|                           |   |
|---------------------------|---|
| Enclosure material        | PBT   |
| Lens material             | PMMA  |
| Maximum sensing distance  | 9.84 ft (3 m) diffuse                               |
| Output type               | Solid state   |
| Status LED                | 1 LED (green) supply<br>1 LED (yellow) output state |
| [Us] rated supply voltage | 12...24 V DC  |
| Switching capacity in mA  | <= 100 mA (overload and short-circuit protection)   |
| Switching frequency       | <= 250 Hz   |
| Voltage drop              | <= 1.5 V (closed state)                             |
| Current consumption       | <= 35 mA (no-load)                                  |
| Delay first up            | < 15 ms   |
| Delay response            | < 2 ms  |
| Delay recovery            | < 2 ms  |
| Setting-up                | Sensitivity adjustment                              |
| Depth                     | 3.03 in (77 mm)                                     |
| Height                    | 3.62 in (92 mm)                                     |
| Width                     | 1.22 in (31 mm)                                     |
| Product weight            | 0.44 lb(US) (0.2 kg)                                |

## Environment

|                                       |  |
|---------------------------------------|--|
| product certifications                | CE<br>CSA<br>UL  |
| ambient air temperature for operation | -13...131 °F (-25...55 °C)   |
| ambient air temperature for storage   | -40...158 °F (-40...70 °C)   |
| vibration resistance                  | 7 gn, amplitude = +/- 1.5 mm (f = 10...55 Hz) conforming to IEC 60068-2-6                        |
| shock resistance                      | 30 gn (duration = 11 ms) conforming to IEC 60068-2-27  |
| IP degree of protection               | IP65 double insulation conforming to IEC 60529<br>IP67 double insulation conforming to IEC 60529 |

The information provided in this documentation contains general descriptions and/or technical characteristics of the products contained herein. This documentation is not intended as a substitute for and is not to be used for determining suitability or reliability of these products for specific user applications. It is the duty of any such user or integrator to perform the appropriate and complete risk analysis, evaluation and testing of the products with respect to the relevant specific application or use thereof. Neither Schneider Electric Industries SAS nor any of its affiliates or subsidiaries shall be responsible or liable for misuse of the information contained herein.

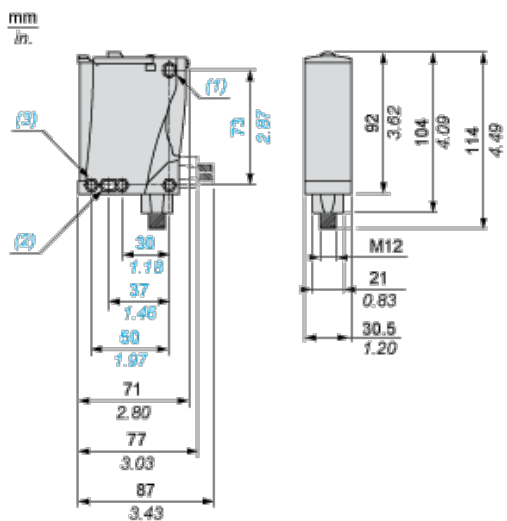
## Offer Sustainability

|  |  |
|--|--|
| Not Green Premium product  | Not Green Premium product  |
| Compliant - since 0914 - Schneider Electric declaration of conformity  | Compliant - since 0914 - Schneider Electric declaration of conformity  |
| Reference not containing SVHC above the threshold  | Reference not containing SVHC above the threshold  |
| WARNING: This product can expose you to chemicals including:   | WARNING: This product can expose you to chemicals including:   |
| Diisononyl phthalate (DINP), which is known to the State of California to cause cancer, and                                | Diisononyl phthalate (DINP), which is known to the State of California to cause cancer, and                                |
| Di-isodecyl phthalate (DIDP), which is known to the State of California to cause birth defects or other reproductive harm. | Di-isodecyl phthalate (DIDP), which is known to the State of California to cause birth defects or other reproductive harm. |
| For more information go to <a href="http://www.p65warnings.ca.gov">www.p65warnings.ca.gov</a>                              | For more information go to <a href="http://www.p65warnings.ca.gov">www.p65warnings.ca.gov</a>                              |

## Contractual warranty

|                 |           |
|-----------------|-----------|
| Warranty period | 18 months |
|-----------------|-----------|

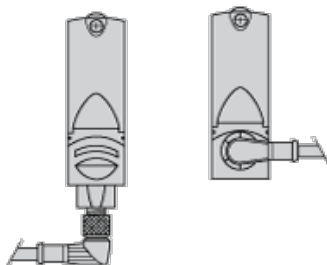
## Dimensions



- (1) Elongated hole  $\varnothing$  5.5 x 7
- (2) Elongated hole  $\varnothing$  5.5 x 9
- (3)  $\varnothing$  5.5 hole

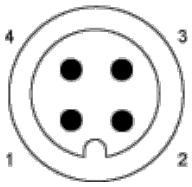
## Mounting and Clearance

### Possible Orientation of Elbowed Connector (Rear View)



## Wiring Schemes

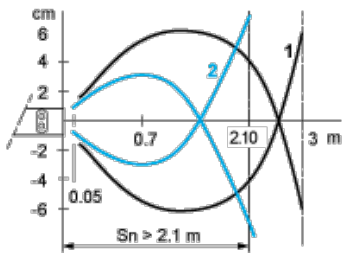
### M12 Connector



**PNP/NPN DC**

| M12 |   | Terminals |   |        |
|-----|---|-----------|---|--------|
| 1   | ● | 1         | ⊘ | +      |
| 3   | ● | 2         | ⊘ | -      |
| 4   | ● | 3         | ⊘ | Output |

**Detection Curves**



- 1 : White 90%
  - 2 : Grey 18%
- Object 10 x 10 cm

# Mouser Electronics

Authorized Distributor

Click to View Pricing, Inventory, Delivery & Lifecycle Information:

[Schneider Electric:](#)

[XUX5APANM12](#)