

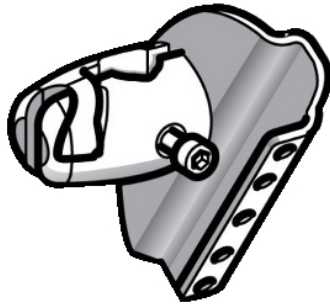
Product data sheet

Characteristics

XUZX2003

accessory for sensor - 3D fixing kit - bracket with ball-joint - XUX

Product availability: Non-Stock - Not normally stocked in distribution facility



Main

Range of product	OsiSense XU
Accessory / separate part category	Mounting and fixing accessories
Accessory / separate part type	Fixing bracket
Accessory / separate part destination	Compact 92 x 71 mm sensor

Complementary

Product compatibility	XUZC50 XUX
Protective cover	Without
Product weight	0.49 lb(US) (0.22 kg)

Ordering and shipping details

Category	22481 - SENSORS, PHOTOELECTRIC
Discount Schedule	DS2
GTIN	00785901582465
Nbr. of units in pkg.	1
Package weight(Lbs)	0.5500000000000004
Returnability	N
Country of origin	ID

Offer Sustainability

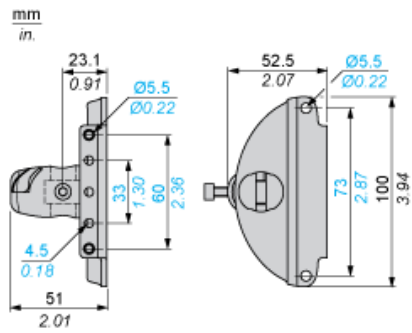
RoHS (date code: YYWW)	Compliant - since 0839 - Schneider Electric declaration of conformity Schneider Electric declaration of conformity
REACH	Reference not containing SVHC above the threshold
California proposition 65	WARNING: This product can expose you to chemicals including:
----- Substance 1	Diisononyl phthalate (DINP), which is known to the State of California to cause cancer, and
----- Substance 2	Di-isodecyl phthalate (DIDP), which is known to the State of California to cause birth defects or other reproductive harm.
----- More information	For more information go to www.p65warnings.ca.gov

Contractual warranty

Warranty period	18 months
-----------------	-----------

The information provided in this documentation contains general descriptions and/or technical characteristics of the performance of the products contained herein. This documentation is not intended as a substitute for and is not to be used for determining suitability or reliability of these products for specific user applications. It is the duty of any such user or integrator to perform the appropriate and complete risk analysis, evaluation and testing of the products with respect to the relevant specific application or use thereof. Neither Schneider Electric Industries SAS nor any of its affiliates or subsidiaries shall be responsible or liable for misuse of the information contained herein.

Dimensions



Mouser Electronics

Authorized Distributor

Click to View Pricing, Inventory, Delivery & Lifecycle Information:

[Schneider Electric:](#)

[XUZX2003](#)