

Product availability: Non-Stock - Not normally stocked in distribution facility



## Main

Range of product	OsiSense XU
Accessory / separate part category	Sensor accessories
Accessory / separate part type	Protective cover
Accessory / separate part designation	Protective cover
Accessory / separate part destination	Photo-electric sensor

## Complementary

Product compatibility	XUZC80 reflector
Product weight	0.6 lb(US) (0.27 kg)

## Ordering and shipping details

Category	22499 - SENSORS ACCESSORIES
Discount Schedule	DS2
GTIN	00785901100911
Nbr. of units in pkg.	1
Package weight(Lbs)	0.63
Returnability	N
Country of origin	FR

## Offer Sustainability

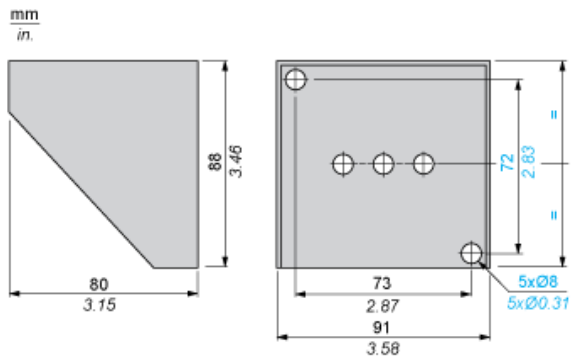
RoHS (date code: YYWW)	Will be compliant on 3Q2013
REACH	Reference not containing SVHC above the threshold
California proposition 65	WARNING: This product can expose you to chemicals including:
----- Substance 1	Diisononyl phthalate (DINP), which is known to the State of California to cause cancer, and
----- Substance 2	Di-isodecyl phthalate (DIDP), which is known to the State of California to cause birth defects or other reproductive harm.
----- More information	For more information go to <a href="http://www.p65warnings.ca.gov">www.p65warnings.ca.gov</a>

## Contractual warranty

Warranty period	18 months
-----------------	-----------

The information provided in this documentation contains general descriptions and/or technical characteristics of the performance of the products contained herein. This documentation is not intended as a substitute for and is not to be used for determining suitability or reliability of these products for specific user applications. It is the duty of any such user or integrator to perform the appropriate and complete risk analysis, evaluation and testing of the products with respect to the relevant specific application or use thereof. Neither Schneider Electric Industries SAS nor any of its affiliates or subsidiaries shall be responsible or liable for misuse of the information contained herein.

Dimensions



# Mouser Electronics

Authorized Distributor

Click to View Pricing, Inventory, Delivery & Lifecycle Information:

[Schneider Electric:](#)

[XUZD15](#)