

Product availability: Non-Stock - Not normally stocked in distribution facility



## Main

Range of product	OsiSense XU
Series name	Application assembly
Electronic sensor type	Photo-electric sensor
Sensor name	XUY
Sensor design	Miniature
Detection system	Polarised reflex
Material	Plastic
Type of output signal	Discrete
Supply circuit type	DC
Wiring technique	3-wire
Discrete output type	PNP
Discrete output function	1 NO or 1 NC programmable
Electrical connection	1 male connector M8, 4 pins
Product specific application	Monitoring of small parts on production machine Setting up of sensors
Emission	Red LED, pulsed (class 2) conforming to IEC 825-1
[Sn] nominal sensing distance	0.1...1 m need reflector XUY1111

## Complementary

Enclosure material	ABS
Pulse frequency	5 kHz
Spot diameter	<= 0.03 in (0.7 mm)
Output type	Solid state
Status LED	1 LED (yellow) output state 1 LED (green) supply on/dirty
[Us] rated supply voltage	12...24 V DC with reverse polarity protection
Supply voltage limits	10...30 V DC
Switching capacity in mA	100 mA (overload and short-circuit protection)
Switching frequency	1000 Hz
Voltage drop	<= 2.4 V (closed state)
Current consumption	< 25 mA (no-load)
Delay response	3 µs
Setting-up	Using teach button or remote teaching
Product weight	0.12 lb(US) (0.056 kg)

## Environment

Product certifications	CULus CE
Ambient air temperature for operation	-4...140 °F (-20...60 °C)
Ambient air temperature for storage	-4...176 °F (-20...80 °C)
Immunity to ambient light	5000 lux
Vibration resistance	7 gn, amplitude = +/- 1.5 mm (f = 10...55 Hz) conforming to IEC 60068-2-6
Shock resistance	30 gn (duration = 11 ms) conforming to IEC 60068-2-27
IP degree of protection	IP67 conforming to IEC 60529

### Ordering and shipping details

Category	22481 - SENSORS, PHOTOELECTRIC
Discount Schedule	DS2
GTIN	00785901645122
Nbr. of units in pkg.	1
Package weight(Lbs)	0.41999999999999998
Returnability	N
Country of origin	DE

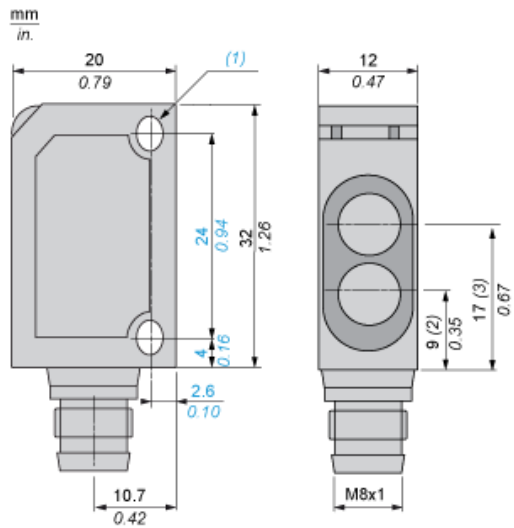
### Offer Sustainability

RoHS (date code: YYWW)	Will not be compliant
California proposition 65	WARNING: This product can expose you to chemicals including:
----- Substance 1	Diisononyl phthalate (DINP), which is known to the State of California to cause cancer, and
----- Substance 2	Di-isodecyl phthalate (DIDP), which is known to the State of California to cause birth defects or other reproductive harm.
----- More information	For more information go to <a href="http://www.p65warnings.ca.gov">www.p65warnings.ca.gov</a>

### Contractual warranty

Warranty period	18 months
-----------------	-----------

Dimensions



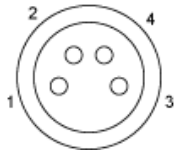
- (1) 2 elongated holes  $\text{Ø } 3.2 \times 4.2$
- (2) Transmitter optical axis
- (3) Receiver optical axis

---

Wiring Schemes

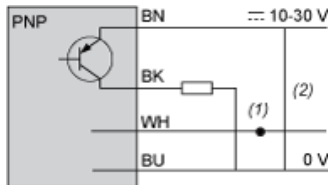
---

M8 connector



- 1: Brown
- 2: White
- 3: Blue
- 4: Black

PNP output



- (+) Brown
- BN :
- WH : White
- (-) Blue
- BU :
- (Output) Black
- BK :

- (1) Connected to +: external teaching, connected to -: locking of functions
- (2) Output 100 mA max.

# Mouser Electronics

Authorized Distributor

Click to View Pricing, Inventory, Delivery & Lifecycle Information:

[Schneider Electric:](#)

[XUYBCO929LSP](#)