

XUKR1PSMM12

photoelectric sensor - color mark - Sn 20 mm -
NC - M12 connector

Product availability: Non-Stock - Not normally stocked in distribution facility



Main

Range of product	OsiSense XU
Series name	Application packaging
Electronic sensor type	Photo-electric sensor
Sensor name	XUK
Sensor design	Compact 50 x 50
Detection system	Diffuse
Emission	White LED
[Sn] nominal sensing distance	0.75 in (19 mm) spot Ø 3.5 mm
Material	Plastic
Switching frequency	<= 5 kHz
Type of output signal	Discrete
Supply circuit type	DC
Wiring technique	3-wire
Discrete output type	PNP
Discrete output function	1 NO or 1 NC programmable
Electrical connection	1 male connector M12 adjustable through 90°, 4 pins
Product specific application	Colour mark
Sale per indivisible quantity	1

Complementary

Enclosure material	ABS
Lens material	Glass
Resolution	0.5 mm
Depth of field	+/- 2 mm
Passing speed of object	8.2 ft/s (2.5 m/s), minimum detected mark width:0.04 in (1 mm)
Output type	Solid state
Output function governance	Light or dark teaching
Add on output	Without
Add on input	Remote teaching
Status LED	1 LED (green) stability 1 LED (green/red (flashing)) error 1 LED (yellow) output state
[Us] rated supply voltage	12...24 V DC
Supply voltage limits	DC
Switching capacity in mA	<= 100 mA (reverse polarity, overload and short-circuit protection)
Voltage drop	<= 2 V (closed state)
Current consumption	<= 30 mA (no-load)
Delay response	<= 0.1 ms
Delay recovery	<= 0.1 ms
Setting-up	Sensitivity adjustment with teach mode
Depth	1.97 in (50 mm)
Height	1.97 in (50 mm)
Width	0.59 in (15 mm)
Product weight	0.1 lb(US) (0.045 kg)

The information provided in this documentation contains general descriptions and/or technical characteristics of the performance of the products contained herein. This documentation is not intended as a substitute for and is not to be used for determining suitability or reliability of these products for specific user applications. It is the duty of any such user or integrator to perform the appropriate and complete risk analysis, evaluation and testing of the products with respect to the relevant specific application or use thereof. Neither Schneider Electric Industries SAS nor any of its affiliates or subsidiaries shall be responsible or liable for misuse of the information contained herein.

Environment

Product certifications	CE cULus
Ambient air temperature for operation	14...131 °F (-10...55 °C)
Ambient air temperature for storage	-4...158 °F (-20...70 °C)
Vibration resistance	+/-0.5 mm (f = 10...55 Hz) conforming to IEC 60068-2-6
Shock resistance	30 gn (duration = 11 ms) (6 shocks on each axis) conforming to IEC 60068-2-27
IP degree of protection	IP65 conforming to IEC 60529

Ordering and shipping details

Category	22481 - SENSORS, PHOTOELECTRIC
Discount Schedule	DS2
GTIN	003389110701784
Nbr. of units in pkg.	1
Package weight(Lbs)	0.22
Returnability	N
Country of origin	HU

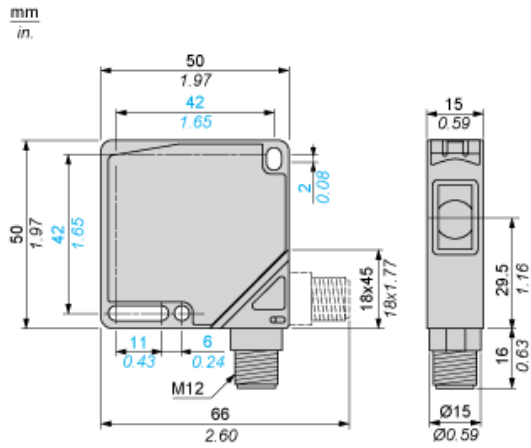
Offer Sustainability

RoHS (date code: YYWW)	Compliant - since 0623 - Schneider Electric declaration of conformity Schneider Electric declaration of conformity
REACH	Reference not containing SVHC above the threshold
California proposition 65	WARNING: This product can expose you to chemicals including:
----- Substance 1	Diisononyl phthalate (DINP), which is known to the State of California to cause cancer, and
----- Substance 2	Di-isodecyl phthalate (DIDP), which is known to the State of California to cause birth defects or other reproductive harm.
----- More information	For more information go to www.p65warnings.ca.gov

Contractual warranty

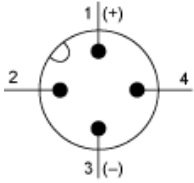
Warranty period	18 months
-----------------	-----------

Dimensions



Wiring Schemes

Connector Scheme



1/ 10...30 VDC

Brown :

2/ Adjustment input

White :

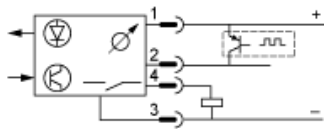
3/ 0 V

Blue :

4/ Output

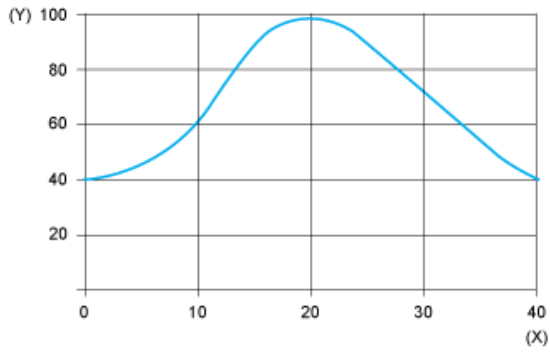
Black :

PNP Output



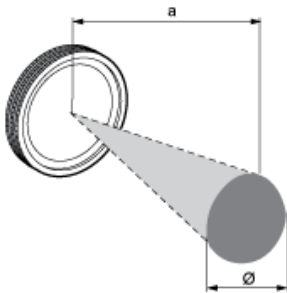
Curves

Detection Curve



(y) % of signal
(x) Detection distance (mm)

Detection Zone and Spot Size



a (mm)	Ø (mm)
19	3.5

Mouser Electronics

Authorized Distributor

Click to View Pricing, Inventory, Delivery & Lifecycle Information:

[Schneider Electric:](#)

[XUKR1PSMM12](#)