

XUK9LAPSM12

photo-electric laser sensor - XUK - polarised
reflex - Sn 14m - 10..30VDC - M12

Product availability: Stock - Normally stocked in distribution facility



Main

| | |
|-------------------------------|---|
| Range of product | OsiSense XU |
| Series name | Application material handling Application assembly |
| Electronic sensor type | Photo-electric sensor |
| Sensor name | XUK |
| Sensor design | Compact 50 x 50 |
| Detection system | Polarised reflex |
| Material | Plastic |
| Type of output signal | Discrete |
| Supply circuit type | DC |
| Wiring technique | 4-wire |
| Discrete output type | PNP |
| Discrete output function | 1 NO or 1 NC programmable |
| Electrical connection | 1 male connector M12, 4 pins |
| Product specific application | - |
| Emission | Red laser polarised reflex (class 1) |
| [Sn] nominal sensing distance | 39.37 ft (12 m) polarised reflex need reflector XUZC50HP |

Complementary

| | |
|---------------------------|--|
| Enclosure material | ABS/PC |
| Lens material | PMMA |
| Maximum sensing distance | 45.93 ft (14 m) polarised reflex need reflector XUZC50HP |
| Output type | Solid state |
| Status LED | 1 LED (yellow) output state 1 LED (green/yellow) supply on/output state |
| [Us] rated supply voltage | 24 V DC with reverse polarity protection |
| Supply voltage limits | 10...30 V DC |
| Switching capacity in mA | <= 100 mA (overload and short-circuit protection) |
| Switching frequency | <= 2000 Hz |
| Voltage drop | <= 2 V |
| Current consumption | <= 60 mA (no-load) |
| Delay first up | < 300 ms |
| Delay response | < 2 ms |
| Delay recovery | < 2 ms |
| Setting-up | Using teach button or remote teaching |
| Depth | 1.97 in (50 mm) |
| Height | 1.97 in (50 mm) |
| Width | 0.91 in (23 mm) |
| Product weight | 0.08 lb(US) (0.035 kg) |

The information provided in this documentation contains general descriptions and/or technical characteristics of the performance of the products contained herein. This documentation is not intended as a substitute for and is not to be used for determining suitability or reliability of these products for specific user applications. It is the duty of any such user or integrator to perform the appropriate and complete risk analysis, evaluation and testing of the products with respect to the relevant specific application or use thereof. Neither Schneider Electric Industries SAS nor any of its affiliates or subsidiaries shall be responsible or liable for misuse of the information contained herein.

Environment

| | |
|---------------------------------------|---|
| Product certifications | CE Ecolab cULus |
| Ambient air temperature for operation | -4...140 °F (-20...60 °C) -4...122 °F (-20...50 °C) |
| Ambient air temperature for storage | -4...176 °F (-20...80 °C) |
| Vibration resistance | 7 gn, amplitude = +/- 1.5 mm (f = 10...55 Hz) conforming to IEC 60068-2-6 |
| Shock resistance | 30 gn (duration = 11 ms) conforming to IEC 60068-2-27 |
| IP degree of protection | IP67 conforming to IEC 60529 IP69K conforming to DIN 40050 |

Ordering and shipping details

| | |
|-----------------------|--------------------------------|
| Category | 22481 - SENSORS, PHOTOELECTRIC |
| Discount Schedule | DS2 |
| GTIN | 003389119077569 |
| Nbr. of units in pkg. | 1 |
| Package weight(Lbs) | 0.12 |
| Returnability | Y |
| Country of origin | DE |

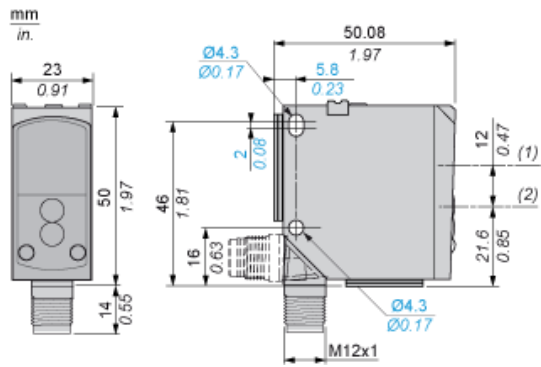
Offer Sustainability

| | |
|---------------------------|--|
| RoHS (date code: YYWW) | Will not be compliant |
| California proposition 65 | WARNING: This product can expose you to chemicals including: |
| ----- Substance 1 | Diisononyl phthalate (DINP), which is known to the State of California to cause cancer, and |
| ----- Substance 2 | Di-isodecyl phthalate (DIDP), which is known to the State of California to cause birth defects or other reproductive harm. |
| ----- More information | For more information go to www.p65warnings.ca.gov |

Contractual warranty

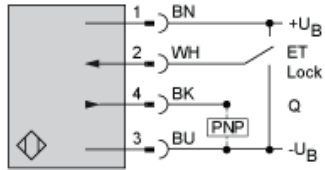
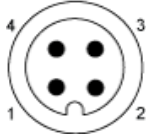
| | |
|-----------------|-----------|
| Warranty period | 18 months |
|-----------------|-----------|

Dimensions



- (1) Receiver optical axis
- (2) Transmitter optical axis

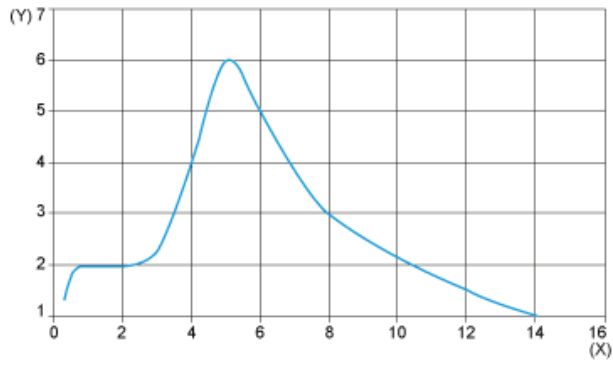
Wiring Schemes Using M12 Connector



- 1 : (+)
- 2 : ET/Lock (1)
- 3 : (-)
- 4 : Output
- BN : Brown
- WH : White
- BU : Blue
- BK : Black
- +UB : External teach
- UB : Pushbutton locking
- (1) ET/Lock. ET: External Teach, Lock: Pushbutton locking

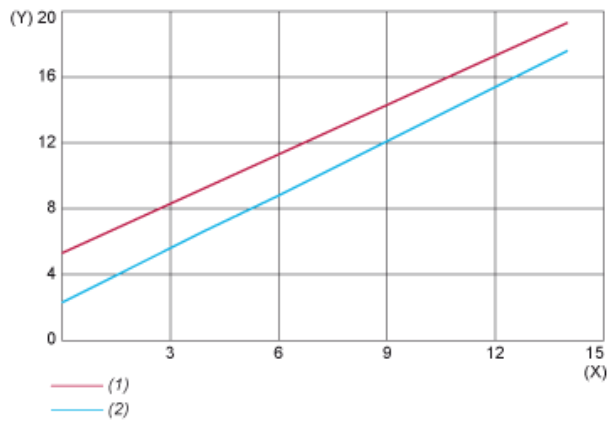
Curves

Excess Gain Curve



(X) Distance (m)
(Y) Gain

Size of Luminous Point



(X) Distance (m)
(Y) Size (mm)
(1) Vertical (Y)
(2) Horizontal (X)

Mouser Electronics

Authorized Distributor

Click to View Pricing, Inventory, Delivery & Lifecycle Information:

[Schneider Electric:](#)

[XUK9LAPSM12](#)