

# XUK1APBNM12

photo-electric sensor - XUK - reflex - Sn 7m -  
12..24VDC - M12

Product availability: Stock - Normally stocked in distribution facility



## Main

|                               |   |
|-------------------------------|---|
| Range of product              | OsiSense XU                                 |
| Series name                   | General purpose single mode                 |
| Electronic sensor type        | Photo-electric sensor                       |
| Sensor name                   | XUK   |
| Sensor design                 | Compact 50 x 50                             |
| Detection system              | Reflex                                      |
| Material                      | Plastic                                     |
| Type of output signal         | Discrete                                    |
| Supply circuit type           | DC  |
| Wiring technique              | 3-wire                                      |
| Discrete output type          | PNP   |
| Discrete output function      | 1 NC  |
| Electrical connection         | 1 male connector M12, 4 pins                |
| Product specific application  | -   |
| Emission                      | Infrared reflex                             |
| [Sn] nominal sensing distance | 22.97 ft (7 m) reflex need reflector XUZC50 |

## Complementary

|                          |   |
|--------------------------|---|
| Enclosure material       | PBT   |
| Lens material            | PMMA  |
| Maximum sensing distance | 32.81 ft (10 m) reflex                            |
| Output type              | Solid state                                       |
| Wire insulation material | PVC   |
| Status LED               | 1 LED (yellow) output state                       |
| Switching capacity in mA | <= 100 mA (overload and short-circuit protection) |
| Switching frequency      | <= 250 Hz   |
| Voltage drop             | <= 1.5 V (closed state)                           |
| Current consumption      | <= 35 mA (no-load)                                |
| Delay first up           | < 15 ms   |
| Delay response           | < 2 ms  |
| Delay recovery           | < 2 ms  |
| Setting-up               | Without sensitivity adjustment                    |
| Depth                    | 1.97 in (50 mm)                                   |
| Height                   | 1.97 in (50 mm)                                   |
| Width                    | 0.71 in (18 mm)                                   |
| Product weight           | 0.39 lb(US) (0.175 kg)                            |

The information provided in this documentation contains general descriptions and/or technical characteristics of the products contained herein. This documentation is not intended as a substitute for and is not to be used for determining suitability or reliability of these products for specific user applications. It is the duty of any such user or integrator to perform the appropriate and complete risk analysis, evaluation and testing of the products with respect to the relevant specific application or use thereof. Neither Schneider Electric Industries SAS nor any of its affiliates or subsidiaries shall be responsible or liable for misuse of the information contained herein.


## Environment

|                                       |   |
|---------------------------------------|---|
| Product certifications                | CSA<br>UL<br>CE   |
| Ambient air temperature for operation | -13...131 °F (-25...55 °C)  |
| Ambient air temperature for storage   | -40...158 °F (-40...70 °C)  |
| Vibration resistance                  | 7 gn, amplitude = +/- 1.5 mm (f = 10...55 Hz) conforming to IEC 60068-2-6 |
| Shock resistance                      | 30 gn (duration = 11 ms) conforming to IEC 60068-2-27                     |
| IP degree of protection               | IP65 double insulation conforming to IEC 60529                            |

## Ordering and shipping details

|                       |   |
|-----------------------|---|
| Category              | 21571 - SENSORS, ELECTRONIC BASIC XU & XS |
| Discount Schedule     | DS2                                       |
| GTIN                  | 00785901530664                            |
| Nbr. of units in pkg. | 1   |
| Package weight(Lbs)   | 0.13                                      |
| Returnability         | Y   |
| Country of origin     | ID  |

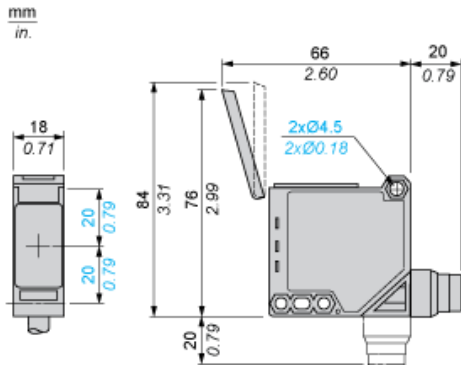
## Offer Sustainability

|                           |  |
|---------------------------|--|
| RoHS (date code: YYWW)    | Compliant - since 0841 - Schneider Electric declaration of conformity  Schneider Electric declaration of conformity |
| REACH                     | Reference not containing SVHC above the threshold  |
| California proposition 65 | WARNING: This product can expose you to chemicals including:   |
| ----- Substance 1         | Diisononyl phthalate (DINP), which is known to the State of California to cause cancer, and  |
| ----- Substance 2         | Di-isodecyl phthalate (DIDP), which is known to the State of California to cause birth defects or other reproductive harm.   |
| ----- More information    | For more information go to <a href="http://www.p65warnings.ca.gov">www.p65warnings.ca.gov</a>  |

## Contractual warranty

|                 |           |
|-----------------|-----------|
| Warranty period | 18 months |
|-----------------|-----------|

Dimensions

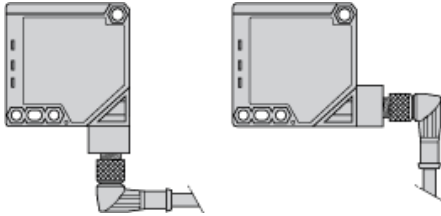


---

## Mounting and Clearance

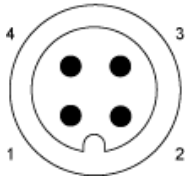
---

### Possible Orientation of Elbowed Connector



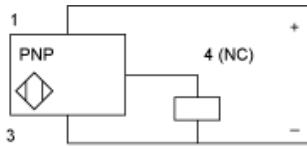
## Wiring Schemes

### M12 Connector



- 1: (+)
- 3: (-)
- 4: OUT/Output

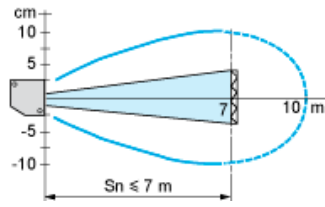
### PNP Outputs



---

Detection Curves

---



With reflector XUZY50

# Mouser Electronics

Authorized Distributor

Click to View Pricing, Inventory, Delivery & Lifecycle Information:

[Schneider Electric:](#)

[XUK1APBNM12](#)