

Product availability: Non-Stock - Not normally stocked in distribution facility



## Main

Range of product	OsiSense XU
Series name	Application material handling
Electronic sensor type	Photo-electric sensor
Sensor name	XUJ
Sensor design	Compact
Detection system	Diffuse
Material	Plastic
Line of sight type	Axial
Type of output signal	Analogue
Supply circuit type	DC
Wiring technique	3-wire
Discrete output type	PNP
Analogue output range	4...20 mA, drift < 5 % for temperature between 0 and + 40 °C
Electrical connection	Screw-clamp terminals, 1 x 2.5...2 x 1.5 mm <sup>2</sup>
Product specific application	-
Emission	Infrared diffuse
[Sn] nominal sensing distance	0.66...2.62 ft (0.2...0.8 m) diffuse

## Complementary

Enclosure material	PEI
Maximum sensing distance	2.62 ft (0.8 m)
Output type	Solid state
Add on output	With analogue output
Wire insulation material	PVC
Status LED	1 LED (yellow) output state
[Us] rated supply voltage	12...24 V DC
Supply voltage limits	20...30 V DC
Output voltage	0...10 V DC
Switching capacity in mA	<= 100 mA (overload and short-circuit protection)
Switching frequency	<= 250 Hz
Voltage drop	<= 1.5 V (closed state)
Current consumption	<= 35 mA (no-load)
Delay first up	< 15 ms
Delay response	< 2 ms
Delay recovery	< 2 ms
Setting-up	Without sensitivity adjustment
Depth	1.97 in (50 mm)
Height	1.97 in (50 mm)
Width	0.71 in (18 mm)
Product weight	0.15 lb(US) (0.07 kg)

The information provided in this documentation contains general descriptions and/or technical characteristics of the performance of the products contained herein. This documentation is not intended as a substitute for and is not to be used for determining suitability or reliability of these products for specific user applications. It is the duty of any such user or integrator to perform the appropriate and complete risk analysis, evaluation and testing of the products with respect to the relevant specific application or use thereof. Neither Schneider Electric Industries SAS nor any of its affiliates or subsidiaries shall be responsible or liable for misuse of the information contained herein.

## Environment

Product certifications	CE CSA UL
Ambient air temperature for operation	-13...131 °F (-25...55 °C)
Ambient air temperature for storage	-40...158 °F (-40...70 °C)
Vibration resistance	7 gn, amplitude = +/- 1.5 mm (f = 10...55 Hz) conforming to IEC 60068-2-6
Shock resistance	30 gn (duration = 11 ms) conforming to IEC 60068-2-27
IP degree of protection	IP65 double insulation conforming to IEC 60529

## Ordering and shipping details

Category	22481 - SENSORS, PHOTOELECTRIC
Discount Schedule	DS2
GTIN	00785901156390
Nbr. of units in pkg.	1
Package weight(Lbs)	0.44
Returnability	N
Country of origin	FR

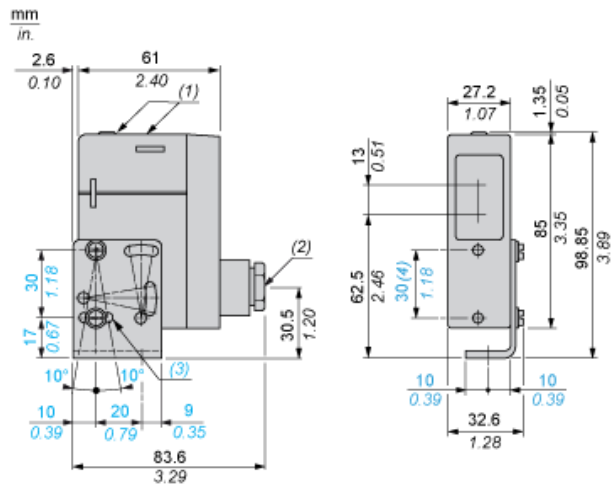
## Offer Sustainability

RoHS (date code: YYWW)	Will be compliant on 3Q2013
California proposition 65	WARNING: This product can expose you to chemicals including:
----- Substance 1	Diisononyl phthalate (DINP), which is known to the State of California to cause cancer, and
----- Substance 2	Di-isodecyl phthalate (DIDP), which is known to the State of California to cause birth defects or other reproductive harm.
----- More information	For more information go to <a href="http://www.p65warnings.ca.gov">www.p65warnings.ca.gov</a>

## Contractual warranty

Warranty period	18 months
-----------------	-----------

Dimensions



- (1) LED
- (2) 11P cable gland
- (3) 1 elongated hole Ø 4.2 x 14
- (4) Front fixing (Ø 4 screws and inserts included)

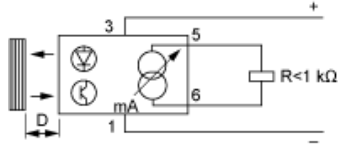
---

Wiring Schemes

---

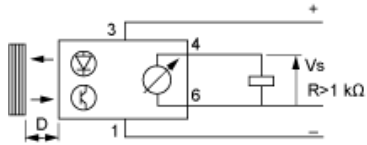
Diffuse System

Current Output



- 1: (-)
- 3: (+)
- 5: Output current
- 6: (-)

Voltage Output

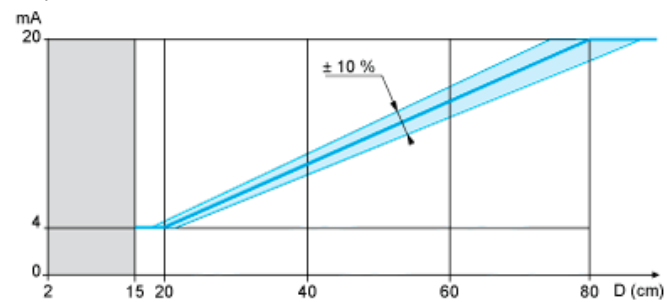


- 1: (-)
- 3: (+)
- 4: Output voltage
- 6: (-)

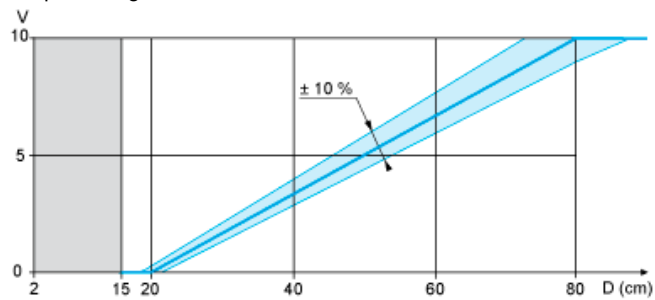
Curves

Output Signal (Related to Distance of Object). Test Performed with 20 x 20 cm, White 90% Object

Output Current



Output Voltage



(1)

(1) Forbidden zone

# Mouser Electronics

Authorized Distributor

Click to View Pricing, Inventory, Delivery & Lifecycle Information:

[Schneider Electric:](#)

[XUJK803538](#)