

# XUE1AA2NM12

photo-electric sensor - XUE - reflex -  
measurement - Sn 30m - 24VDC - M12

Product availability: Non-Stock - Not normally stocked in distribution facility



## Main

Range of product	OsiSense XU
Series name	Application material handling
Electronic sensor type	Photo-electric sensor
Sensor name	XUE
Sensor design	Compact 90 x 90
Detection system	Reflex
Material	Plastic
Supply circuit type	DC
Wiring technique	5-wire
Discrete output type	PNP
Discrete output function	2 NO/NC programmable
Analogue output range	4...20 mA
Electrical connection	1 male connector M12, 5 pins
Product specific application	Distance measurement on reflector
Emission	Infrared laser, pulsed (class 1), wavelength: 3.563E-05 in (905 nm) conforming to IEC 600825-1 Red laser, pulsed (class 2), wavelength: 2.6378E-05 in (670 nm) conforming to IEC 600825-1
[Sn] nominal sensing distance	98.43 ft (30 m) need reflector XUZC250

## Complementary

Enclosure material	ABS, anti-shock
Lens material	PMMA
Linearity	<= +/- 40 mm
Spot dimension	45 x 60 mm at 30 meters
Status LED	1 LED (green) supply on 2 LEDs (yellow) output 4 LEDs (red) parametering 1 LED (orange) slow mode
[Us] rated supply voltage	24 V DC with reverse polarity protection
Supply voltage limits	18...30 V DC
Switching capacity in mA	100 mA (overload and short-circuit protection)
Switching time	30 ms fast mode 65 ms slow mode
Voltage drop	<= 2.4 V (closed state)
Current consumption	125 mA (no-load)
Delay first up	30 ms 65 ms
Delay response	30 ms fast mode 65 ms slow mode
Setting-up	Parametering by buttons
Height	3.66 in (93 mm)
Length	3.74 in (95 mm)
Width	1.65 in (42 mm)
Product weight	0.44 lb(US) (0.2 kg)

The information provided in this documentation contains general descriptions and/or technical characteristics of the performance of the products contained herein. This documentation is not intended as a substitute for and is not to be used for determining suitability or reliability of these products for specific user applications. It is the duty of any such user or integrator to perform the appropriate and complete risk analysis, evaluation and testing of the products with respect to the relevant specific application or use thereof. Neither Schneider Electric Industries SAS nor any of its affiliates or subsidiaries shall be responsible or liable for misuse of the information contained herein.

## Environment

Product certifications	CULus CE
Ambient air temperature for operation	14...122 °F (-10...50 °C)
Ambient air temperature for storage	-40...176 °F (-40...80 °C)
Vibration resistance	7 gn, amplitude = +/- 0.5 mm (f = 10...55 Hz) conforming to IEC 60947-5-2
Shock resistance	30 gn (duration = 11 ms) conforming to IEC 60947-5-2
IP degree of protection	IP67 conforming to IEC 60529

## Ordering and shipping details

Category	22481 - SENSORS, PHOTOELECTRIC
Discount Schedule	DS2
GTIN	00785901808978
Nbr. of units in pkg.	1
Package weight(Lbs)	0.7399999999999999
Returnability	N
Country of origin	DE

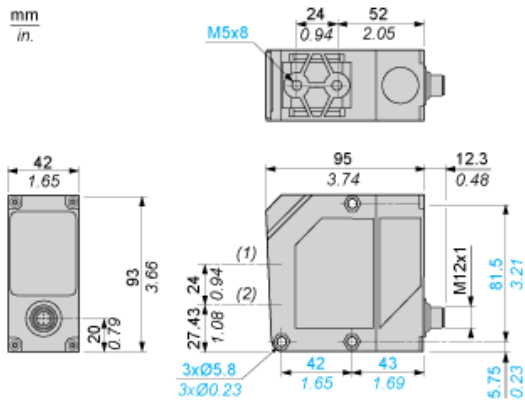
## Offer Sustainability

RoHS (date code: YYWW)	Will not be compliant
California proposition 65	WARNING: This product can expose you to chemicals including:
----- Substance 1	Diisononyl phthalate (DINP), which is known to the State of California to cause cancer, and
----- Substance 2	Di-isodecyl phthalate (DIDP), which is known to the State of California to cause birth defects or other reproductive harm.
----- More information	For more information go to <a href="http://www.p65warnings.ca.gov">www.p65warnings.ca.gov</a>

## Contractual warranty

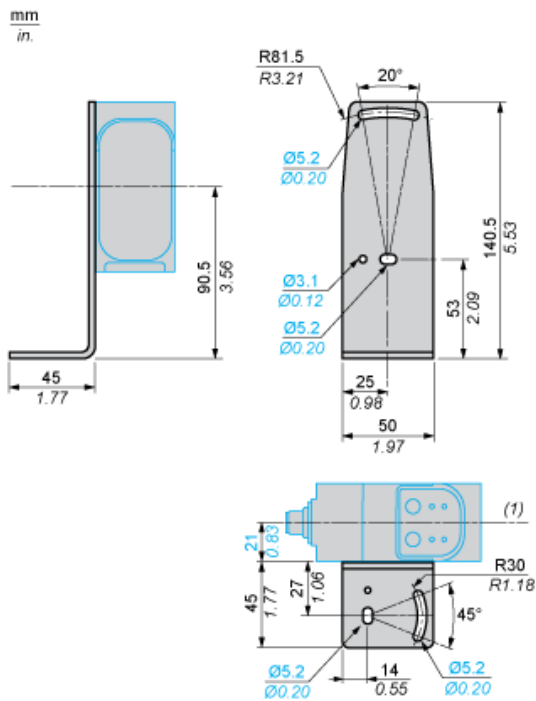
Warranty period	18 months
-----------------	-----------

Dimensions



- (1) Receiver optical axis
- (2) Transmitter optical axis

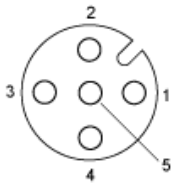
Dimensions with Fixing Bracket XUZA618



- (1) Optical axis

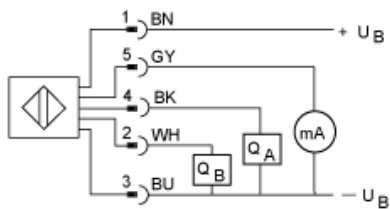
## Wiring Schemes

### M12 Connector



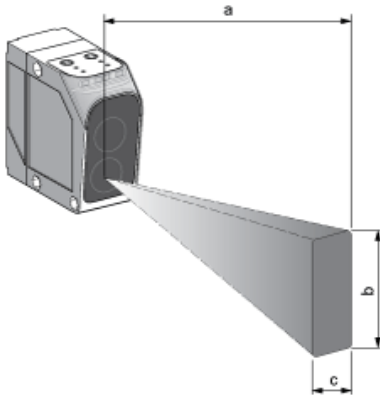
- 1: + U<sub>B</sub>
- 2: Q<sub>B</sub>
- 3: - U<sub>B</sub>
- 4: Q<sub>A</sub>
- 5: mA

### Output



- BN : Brown
- WH : White
- BU : Blue
- BK : Black
- GY : Grey

## Curves



a (m)	b (mm)	c (mm)
0	10	5
10	20	15
20	40	30
30	60	45

# Mouser Electronics

Authorized Distributor

Click to View Pricing, Inventory, Delivery & Lifecycle Information:

[Schneider Electric:](#)

[XUE1AA2NM12](#)