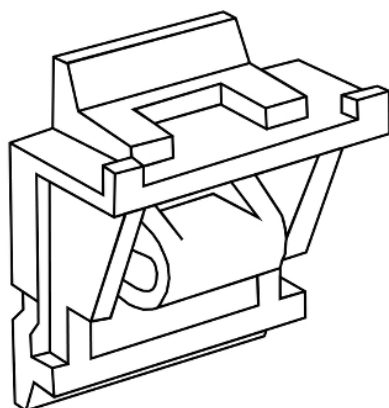


RHZ66

adaptor for mounting RH socket and
termination adaptor on DIN rail

Product availability: Non-Stock - Not normally stocked in distribution facility



Main

Product or component type	Mounting adaptor
Accessory / separate part category	Mounting and fixing accessory
Sale per indivisible quantity	10

Complementary

Product compatibility	Socket Terminal adaptor
Mounting support	DIN rail
Product weight	0.01 lb(US) (0.005 kg)

Ordering and shipping details

Category	18073 - SPARE PARTS DISCOUNT I
Discount Schedule	CP2
GTIN	00785901446828
Nbr. of units in pkg.	10
Package weight(Lbs)	0.02
Returnability	N
Country of origin	FR

Offer Sustainability

California proposition 65	WARNING: This product can expose you to chemicals including:
----- Substance 1	Nickel compounds, which is known to the State of California to cause cancer, and
----- Substance 2	Di-isodecyl phthalate (DIDP), which is known to the State of California to cause birth defects or other reproductive harm.
----- More information	For more information go to www.p65warnings.ca.gov

Contractual warranty

Warranty period	18 months
-----------------	-----------

The information provided in this documentation contains general descriptions and/or technical characteristics of the performance of the products contained herein. This documentation is not intended as a substitute for and is not to be used for determining suitability or reliability of these products for specific user applications. It is the duty of any such user or integrator to perform the appropriate and complete risk analysis, evaluation and testing of the products with respect to the relevant specific application or use thereof. Neither Schneider Electric Industries SAS nor any of its affiliates or subsidiaries shall be responsible or liable for misuse of the information contained herein.

Mouser Electronics

Authorized Distributor

Click to View Pricing, Inventory, Delivery & Lifecycle Information:

[Schneider Electric:](#)

[RHZ66](#)