

Product availability: Stock - Normally stocked in distribution facility



Main

Range of product	Modicon TM5
Product or component type	Counter module
Product specific application	Upcounting Axis following with encoder Frequency generator Downcounting Period measurement Frequency meter
Function of module	2 x 24 V DC auxiliary inputs 24 V DC encoder power supply
Discrete input number	2
Counting frequency	100 kHz
Encoder type	2 incremental encoders

Complementary

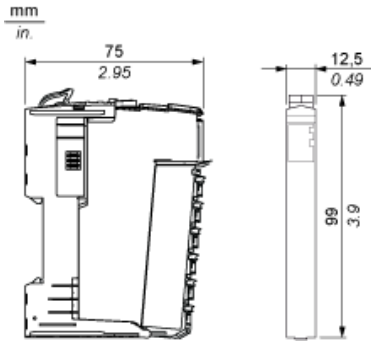
Range compatibility	Modicon LMC058 Modicon M258
Product compatibility	Logic controller Motion controller
Counter inputs resolution	16 bits/32 bits
Cycle time	<= 2 ms
Input compatibility	2 incremental encoders (24 V)
Isolation	500 Vrms AC insulation between channel and bus
Discrete input logic	Sink
Discrete input voltage	24 V DC
Discrete input current	1.3 mA at 24 V
Input resistance	18.4 kOhm
Current consumption	2 mA 5 V DC bus 63 mA 24 V DC input/output
Power dissipation in W	<= 1.51 W
Marking	CE
Product weight	0.06 lb(US) (0.025 kg)

Environment

Standards	CSA C22.2 No 213 UL 508 CSA C22.2 No 142 IEC 61131-2
Product certifications	C-Tick CSA CULus GOST-R
Ambient air temperature for operation	32...131 °F (0...55 °C) without derating factor horizontal installation 32...140 °F (0...60 °C) with derating factor horizontal installation 32...122 °F (0...50 °C) vertical installation
Ambient air temperature for storage	-13...158 °F (-25...70 °C)
Relative humidity	5...95 % without condensation
IP degree of protection	IP20 conforming to IEC 61131-2
Pollution degree	2 conforming to IEC 60664
Operating altitude	0...6561.68 ft (0...2000 m)
Storage altitude	0...9842.52 ft (0...3000 m)

TM5 Slice

Dimensions

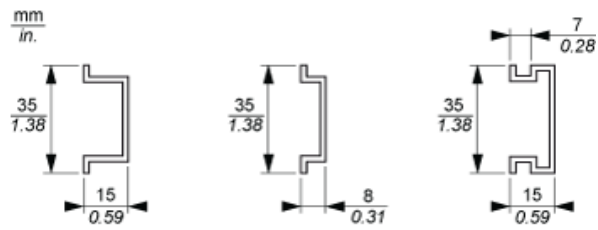


TM5 System

Spacing Requirements







Mounting on a DIN Rail



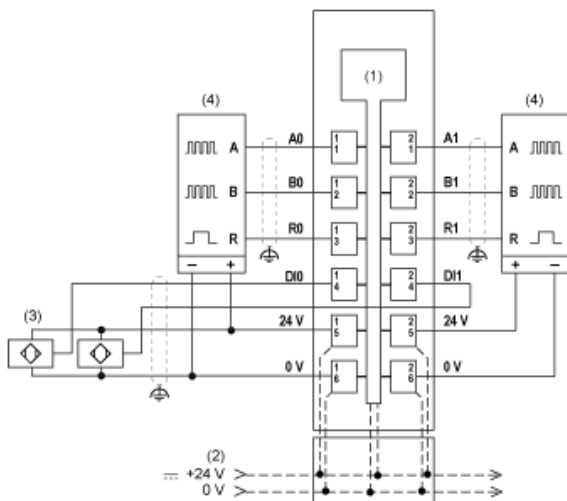
TM5 System Wiring Recommendations

Wire Sizes to Use with the Removable Spring Terminal Blocks

mm in.				
mm ²	0,08...2,5	0,25...2,5	0,25...1,5	2 x 0,25...2 x 0,75
AWG	28...14	24...14	24...16	2 x 24...2 x 18

Electronic Module 2 HSC INC 100 KHz

Wiring Diagram



- (1) Internal electronics
- (2) 24 Vdc I/O power segment integrated into bus base
- (3) 3-wire sensor
- (4) Encoder

Mouser Electronics

Authorized Distributor

Click to View Pricing, Inventory, Delivery & Lifecycle Information:

[Schneider Electric:](#)

[TM5SE2IC01024](#)