



Product availability: Non-Stock - Not normally stocked in distribution facility



Main

| | |
|---------------------------|-----------------------|
| Range of product | Modicon TM5 |
| Product or component type | Discrete input module |
| Discrete input number | 4 |
| Discrete input voltage | 100...240 V |

Complementary

| | |
|-----------------------------|---|
| Range compatibility | Modicon LMC058 Modicon M258 PacDrive LMC motion controller |
| Product compatibility | PacDrive LMC Pro PacDrive LMC Pro 2 Logic controller PacDrive LMC Eco Motion controller |
| Discrete input voltage type | AC |
| Input voltage limits | 100...240 V |
| Discrete input current | 5...11 mA |
| Color | Black |
| Input filtering | <= 25 ms configurable by software <= 30 ms hardware from state 1 to state 0 <= 40 ms hardware from state 0 to state 1 |
| Isolation | No insulation between channels 2500 V AC insulation between channel and bus for 1 minute |
| Current consumption | 34 mA 5 V DC bus |
| Power dissipation in W | <= 1.08 W |
| Local signalling | 1 LED green power supply 1 LED red power supply 4 LEDs green input status |
| Electrical connection | 2 wires |
| Marking | CE |
| Product weight | 0.06 lb(US) (0.025 kg) |

The information provided in this documentation contains general descriptions and/or technical characteristics of the performance of the products contained herein. This documentation is not intended as a substitute for and is not to be used for determining suitability or reliability of these products for specific user applications. It is the duty of any such user or integrator to perform the appropriate and complete risk analysis, evaluation and testing of the products with respect to the relevant specific application or use thereof. Neither Schneider Electric Industries SAS nor any of its affiliates or subsidiaries shall be responsible or liable for misuse of the information contained herein.

Environment

| | |
|---------------------------------------|--|
| Standards | CSA C22.2 No 213 UL 508 IEC 61131-2 CSA C22.2 No 142 |
| Product certifications | CULus C-Tick GOST-R CSA |
| Ambient air temperature for operation | 14...140 °F (-10...60 °C) with derating factor horizontal installation 14...131 °F (-10...55 °C) without derating factor horizontal installation 14...122 °F (-10...50 °C) vertical installation |
| Ambient air temperature for storage | -40...158 °F (-40...70 °C) |
| Relative humidity | 5...95 % without condensation |
| IP degree of protection | IP20 conforming to IEC 61131-2 |
| Pollution degree | 2 conforming to IEC 60664 |
| Operating altitude | 0...6561.68 ft (0...2000 m) |
| Storage altitude | 0...9842.52 ft (0...3000 m) |
| Vibration resistance | 1 gn (f = 8.4...150 Hz) DIN rail 3.5 mm (f = 5...8.4 Hz) DIN rail |
| Shock resistance | 15 gn 11 ms |
| Electromagnetic compatibility | Conducted and radiated emissions conforming to CISPR 11 Conducted RF disturbances conforming to EN/IEC 61000-4-6 Electrostatic discharge immunity test (4 kV - on contact) conforming to EN/IEC 61000-4-2 Electrostatic discharge immunity test (8 kV - in air) conforming to EN/IEC 61000-4-2 Susceptibility to electromagnetic fields (1 V/m - 2...2.7 GHz) conforming to EN/IEC 61000-4-3 Susceptibility to electromagnetic fields (10 V/m - 80...2000 MHz) conforming to EN/IEC 61000-4-3 Electrical fast transient/burst immunity test (1 kV - I/O) conforming to EN/IEC 61000-4-4 Electrical fast transient/burst immunity test (1 kV - shielded cable) conforming to EN/IEC 61000-4-4 Electrical fast transient/burst immunity test (2 kV - power lines) conforming to EN/IEC 61000-4-4 1.2/50 µs shock waves immunity test (0.5 kV - differential mode) conforming to EN/IEC 61000-4-5 1.2/50 µs shock waves immunity test (1 kV - common mode) conforming to EN/IEC 61000-4-5 |

Ordering and shipping details

| | |
|-----------------------|----------------------|
| Category | 22532 - M258 PLC |
| Discount Schedule | PC12 |
| GTIN | 00785901685203 |
| Nbr. of units in pkg. | 1 |
| Package weight(Lbs) | 8.999999999999997E-2 |
| Returnability | N |
| Country of origin | AT |

Offer Sustainability

| | |
|----------------------------------|--|
| Sustainable offer status | Green Premium product |
| RoHS (date code: YYWW) | Compliant - since 1039 - Schneider Electric declaration of conformity Schneider Electric declaration of conformity |
| REACH | Reference not containing SVHC above the threshold |
| Product environmental profile | Available Product Environmental Profile |
| Product end of life instructions | Available End Of Life Information |
| California proposition 65 | WARNING: This product can expose you to chemicals including: |
| - - - - - Substance 1 | Lead and lead compounds, which is known to the State of California to cause cancer and birth defects or other reproductive harm. |
| - - - - - More information | For more information go to www.p65warnings.ca.gov |

Contractual warranty

| | |
|-----------------|-----------|
| Warranty period | 18 months |
|-----------------|-----------|

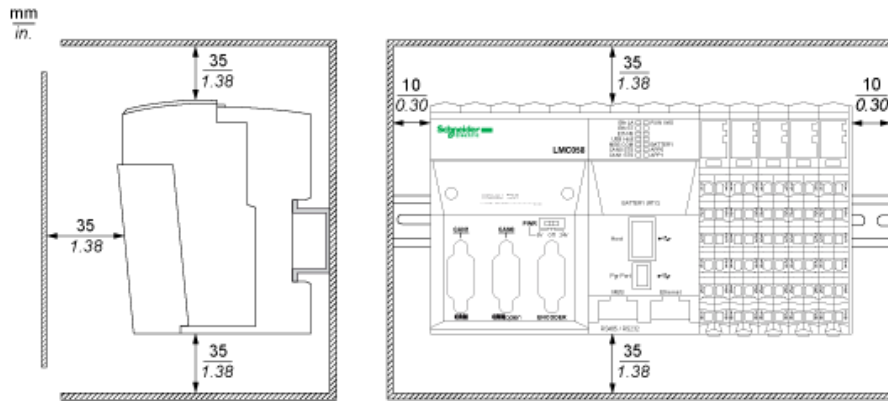
TM5 Slice

Dimensions

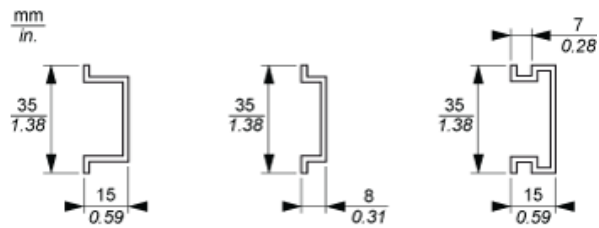


TM5 System

Spacing Requirements



Mounting on a DIN Rail



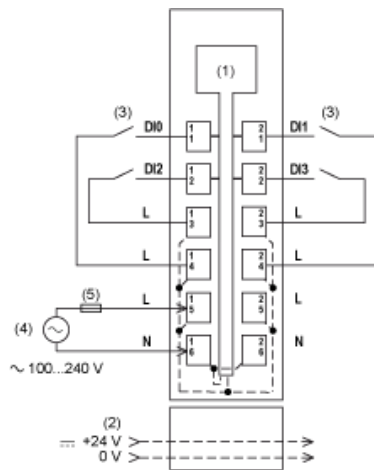
TM5 System Wiring Recommendations

Wire Sizes to Use with the Removable Spring Terminal Blocks

| mm in. |  |  |  |  |
|-----------------|---|---|---|---|
| mm ² | 0,08...2,5 | 0,25...2,5 | 0,25...1,5 | 2 x 0,25...2 x 0,75 |
| AWG | 28...14 | 24...14 | 24...16 | 2 x 24...2 x 18 |

Electronic Module 4DI 100...240 Vac 2 Wires

Wiring Diagram



- (1) Internal electronics
- (2) 24 Vdc I/O power segment integrated into the bus bases
- (3) 2-wire sensor
- (4) External power supply: 100...240 Vac
- (5) External fuse type T slow-blow 1 A - 250 V

Mouser Electronics

Authorized Distributor

Click to View Pricing, Inventory, Delivery & Lifecycle Information:

[Schneider Electric:](#)

[TM5SDI4A](#)