

Product availability: Non-Stock - Not normally stocked in distribution facility



Main

Range of product	Magelis iPC
Product or component type	PC panel
Processor name	Intel i3 dual core 3rd generation 3217UE cache 3 MB
Chipset type	Intel BD82QM77
Display size	12 inch
Display colour	16 million colours
Luminance	34.84 fc (375 cd/m ²)
Drive type	DVD-RW
Video controller type	Intel HD Graphics 4000
Operating system	Windows 7 64 bits Ultimate multi-language
Software package	Vijeo Designer run time demo
Bezel material	Aluminium alloy

Complementary

Terminal type	Touchscreen display
Data storage equipment	>= 60 GB Flash disk SSD MLC for 2000000 h
Display type	Active matrix colour TFT LCD with LED backlight
Display resolution	1024 x 768 pixels XGA
Backlight lifespan	50000 hours at 77 °F (25 °C)
View angle horizontal x vertical	80 x 80°
Touch panel	Analogue resistive
Memory type	4 GB, expandable to 16 GB RAM DDR3
Type of cooling	Fanless
Integrated connection type	DVI video port bottom Ethernet port with 2 RJ45 COM1 serial link male SUB-D 9 RS232C, transmission rate: 115 kbit/s bottom COM2 serial link male SUB-D 9 RS232C, transmission rate: 115 kbit/s bottom USB 2.0 type A, transmission rate: 480 Mbit/s front panel USB 3.0 type A with 4, transmission rate: 5 Gbit/s bottom Audio output mini-jack
Port Ethernet	10BASE-T/100BASE-T/1000BASE-T
Number of slots	1 PCI 33 MHz 1 PCI express 2 Gbit/s
[Us] rated supply voltage	100...240 V AC power supply
Network frequency	45...65 Hz
Line Rated Current	0.6...2 A
Inrush current	20 A
Material	Die cast aluminium
Display material	Polyethylene sheet
Fixing mode	By fixing kit with enclosure door (fasteners included)
Type of installation	Indoor
Control type	ON/OFF push-button (equipment ON and OFF) Push-button (reset)
Local signalling	LED link status LED RUN Multi-colour LED power Orange LED for accessing Flash disk SSD (DISK)
Function available	RAID (Redundant Array of Independent Disks)
Width	12.32 in (313 mm)

The information provided in this documentation contains general descriptions and/or technical characteristics of the products contained herein. This documentation is not intended as a substitute for and is not to be used for determining suitability or reliability of these products for specific user applications. It is the duty of any such user or integrator to perform the appropriate and complete risk analysis, evaluation and testing of the products with respect to the relevant specific application or use thereof. Neither Schneider Electric Industries SAS nor any of its affiliates or subsidiaries shall be responsible or liable for misuse of the information contained herein.

Height	9.41 in (239 mm)
Depth	5.31 in (135 mm)
Cut-out dimensions	301.5 (+ 1/- 0) x 227.5 (+ 1/- 0) x 1.6...9 mm
Product weight	9.26 lb(US) (4.2 kg)
Main type	Performance


Environment

IP degree of protection	IP65 front panel conforming to EN/IEC 60529
NEMA degree of protection	NEMA 4X front panel
Product certifications	CE C-Tick GOST CULus 508 CULus CSA 22-2 No 142 CULus HazLoc Class I Division 2 UL 1604 CULus HazLoc Class I Division 2 ANSI/ISA 12-12-01 CULus HazLoc Class I Division 2 CSA 22-2 No 213
Pollution degree	2 EN/IEC 61131-2
Electromagnetic compatibility	Immunity to electromagnetic emissions class A EN 55022 Immunity to electromagnetic emissions class A EN 55011 Immunity to high frequency interference EN/IEC 61131-2 Immunity to high frequency interference EN/IEC 61000-4-x
Ambient air temperature for operation	32...122 °F (0...50 °C) vertical installation conforming to UL 508 0...45 °C vertical installation when using Gigabit Ethernet with HDD storage device conforming to UL 508 0...50 °C vertical installation conforming to IEC 61132-2 0...45 °C vertical installation when using Gigabit Ethernet with HDD storage device conforming to IEC 61132-2
Ambient air temperature for storage	-4...140 °F (-20...60 °C) conforming to IEC 60068-2-14 test Na -4...140 °F (-20...60 °C) conforming to IEC 60068-2-2 test Bb
Relative humidity	10...85 % non-condensing conforming to EN/IEC 60068-2-78 10...85 % non-condensing conforming to EN/IEC 60068-2-30
Operating altitude	6561.68 ft (2000 m) conforming to EN/IEC 61131-2
Vibration resistance	1.75 mm 2...9 Hz continuous conforming to EN/IEC 60068-2-6 Fc 3.5 mm 2...9 Hz intermittently conforming to EN/IEC 60068-2-6 Fc 0.5 gn 9...200 Hz continuous conforming to EN/IEC 60068-2-6 Fc 1 gn 9...200 Hz intermittently conforming to EN/IEC 60068-2-6 Fc 1 mm 3...13.2 Hz continuous conforming to EN/IEC 60068-2-6 Fc 0.7 gn 13.2...100 Hz continuous conforming to EN/IEC 60068-2-6 Fc
Shock resistance	15 gn 11 ms conforming to IEC 60068-2-27, Ea tests

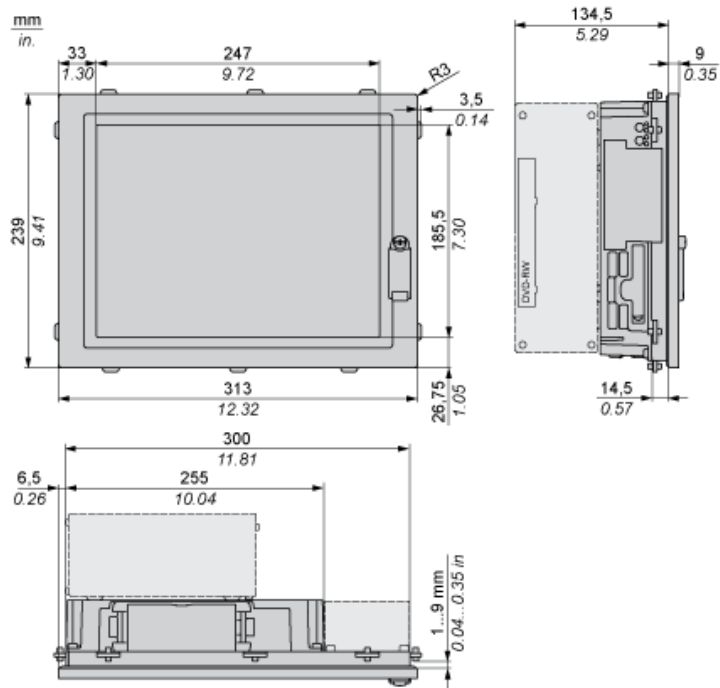
Ordering and shipping details

Category	22575 - MAGELIS MC3
Discount Schedule	MC3
GTIN	003595864172422
Nbr. of units in pkg.	1
Package weight(Lbs)	16.800000000000001
Returnability	N
Country of origin	AT

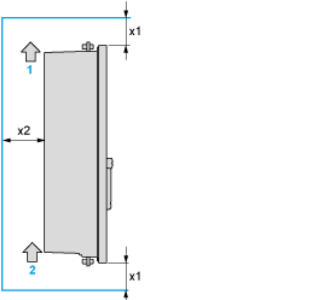
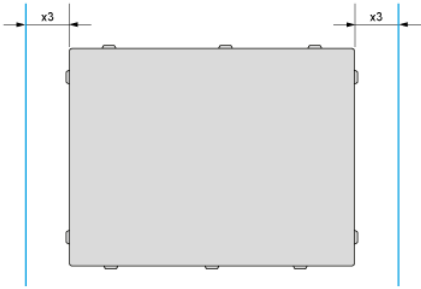
Offer Sustainability

RoHS (date code: YYWW)	Compliant - since 1426 - Schneider Electric declaration of conformity  Schneider Electric declaration of conformity
REACH	Reference not containing SVHC above the threshold
California proposition 65	WARNING: This product can expose you to chemicals including:
----- Substance 1	Lead and lead compounds, which is known to the State of California to cause cancer and birth defects or other reproductive harm.
----- More information	For more information go to www.p65warnings.ca.gov

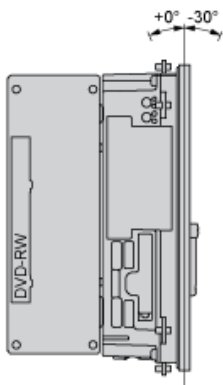
Dimensions



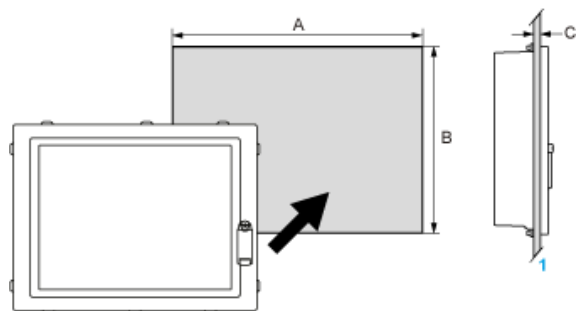
Spacing Requirement

Top, Bottom and Rear Sides	Left and Right Sides
 <p>1 Air out 2 Air in</p>	

Mounting Orientation



Panel Cut Dimensions



1 Installation panel

A	B	C
301.5 +1/0 mm (11.87 +0.04/0 in.)	227.5 +1/0 mm (8.96 +0.04/0 in.)	1.6...9 mm (0.06...0.35 in.)

Mouser Electronics

Authorized Distributor

Click to View Pricing, Inventory, Delivery & Lifecycle Information:

[Schneider Electric:](#)

[HMIPPF6A2701](#)