

# HMIBMUSI29D4801

## Modular Box PC HMIBM Universal SSD DC Windows 10 4 slots

Product availability: Non-Stock - Not normally stocked in distribution facility



### Main

Range of product	Magelis iPC
Product or component type	Modular box PC
Device short name	Modular BOX PC Universal
Processor name	Intel Celeron 2980U 1.6 GHz
Chipset type	Intel QM87
Free slots	1 CFast 1 mSATA 2 Internal SATA HDD/SSD with slide-in HMIYMADS-DD1 to mount . hot swap RAID with Intel Rapid Storage Technology
Video controller type	Intel HD Graphics
Operating system	Windows 10 IoT Enterprise 64 bit (switched from Windows 8.1 in Q1 2018) multi-language
Software package	EcoStruxure secure connect advisor annual subscription cyber security license not included EcoStruxure operator terminal expert run time HMI license not included EcoStruxure machine SCADA expert run time HMI/SCADA on configured offer only EcoStruxure augmented operator advisor server augmented operator license not included Node-RED and system nodes restore IIoT Wiring Operating System Restore McAfee white listing Installer cyber security license not included

### Complementary

Range compatibility	Modular Display HMIDM IDisplay
Accessory / separate part destination	PC panel on HMIDM modular display
Mounting location	Flat mounting Wall mounting Book mounting
Data storage equipment	128 GB Flash disk SSD TLC 1500000 h
Memory description	Internal 512 kB MRAM Internal 4 GB RAM DDR3 not expandable
Number of slots	1 PCI 1 PCI express 4x 2 mini PCI Express full-size
Display resolution	3200 x 2000 pixels at 60 Hz
Watchdog timer	1...255 ms
Type of cooling	Fanless Fan required to mount PCI/PCIe cards above 3 W
Electrical connection	Screw connector pin 1 way ground on bottom Connector SMA 3 ways on top
Integrated connection type	Display port with 1 on bottom Display port with 1 on front COM1 serial link battery backup with 1 male SUB-D 9 RS232/422/485 on bottom USB 2.0 port with 2 USB type A, transmission rate: 480 Mbit/s on bottom USB 3.0 port with 2 USB type A, transmission rate: 5 Gbit/s on bottom Ethernet with 2 RJ45 I210, supporting IEEE1588, transmission rate: 10/100/1000 Mbps on bottom TPM connector Ver 1.2 cyber security - hardware encryption TPM module HMIYMINATPM201 to be installed/default installed on mother board
[Us] rated supply voltage	100...240 V AC power supply with additional adaptor HMIYMMAC1 24 V DC power supply

The information provided in this documentation contains general descriptions and/or technical characteristics of the performance of the products contained herein. This documentation is not intended as a substitute for and is not to be used for determining suitability or reliability of these products for specific user applications. It is the duty of any such user or integrator to perform the appropriate and complete risk analysis, evaluation and testing of the products with respect to the relevant specific application or use thereof. Neither Schneider Electric Industries SAS nor any of its affiliates or subsidiaries shall be responsible or liable for misuse of the information contained herein.

Supply voltage limits	18...36 V
Inrush current	8.9 A
Power consumption in W	35 W box 39 W with 4:3 12" Display HMIDM6421 37 W with Wide 12" Display HMIDM6521 40 W with 4:3 15" Display HMIDM7421 41 W with Wide 15" Display HMIDM7521 43 W with Wide 19" Display HMIDM9521 45 W with Wide 22" Display HMIDMA521
Control type	ON/OFF button
Depth	4.06 in (103.2 mm)
Height	8.15 in (207 mm)
Width	10 in (254 mm)
Product weight	8.6 lb(US) (3.9 kg)
Main type	Universal
Number of slots available for expansion	1 PCI 1 PCI express 4x 2 mini PCIe


## Environment

Standards	EN 61131-2 EN 55011 class A group 1 EN 61000-6-4 FCC Part 15 UL 61010
Product certifications	CCC EAC ATEX RCM IEC Ex hazardous locations 3GD zone 2/22 CULus CE CULus CSA 22-2 No 142 CULus HazLoc Class I Division 2 ANSI/ISA 12-12-01 CULus HazLoc Class I Division 2 CSA 22-2 No 213
Quality labels	CE
Directives	2004/108/EC - electromagnetic compatibility 2006/95/EC - low voltage directive
IP degree of protection	IP40 conforming to IEC 60529
Electromagnetic compatibility	Conducted and radiated emissions class A EN 55022 Immunity to high frequency interference IEC 61000-4 Disturbing field emission class A EN 55011
Ambient air temperature for storage	-22...158 °F (-30...70 °C) conforming to IEC 60068-2-2 -22...158 °F (-30...70 °C) conforming to IEC 60068-2-14
Relative humidity	10...95 % non-condensing conforming to EN/IEC 60068-2-30
Ambient air temperature for operation	32...131 °F (0...55 °C) (by default) conforming to EN/IEC 60068-2-2 32...122 °F (0...50 °C) flat mounting 32...113 °F (0...45 °C) on PCI/PCIe HMIDM modular display with HDD 32...104 °F (0...40 °C) flat mounting on HDD 32...104 °F (0...40 °C) flat mounting on mini PCIe 32...104 °F (0...40 °C) flat mounting on PCI/PCIe 32...113 °F (0...45 °C) conforming to 2 on mini PCIe HMIDM modular display
Operating altitude	6561.68 ft (2000 m) conforming to IEC 60664-1
Vibration resistance	1 gn 5...500 Hz HDD 2 gn 5...500 Hz SSD or CFast

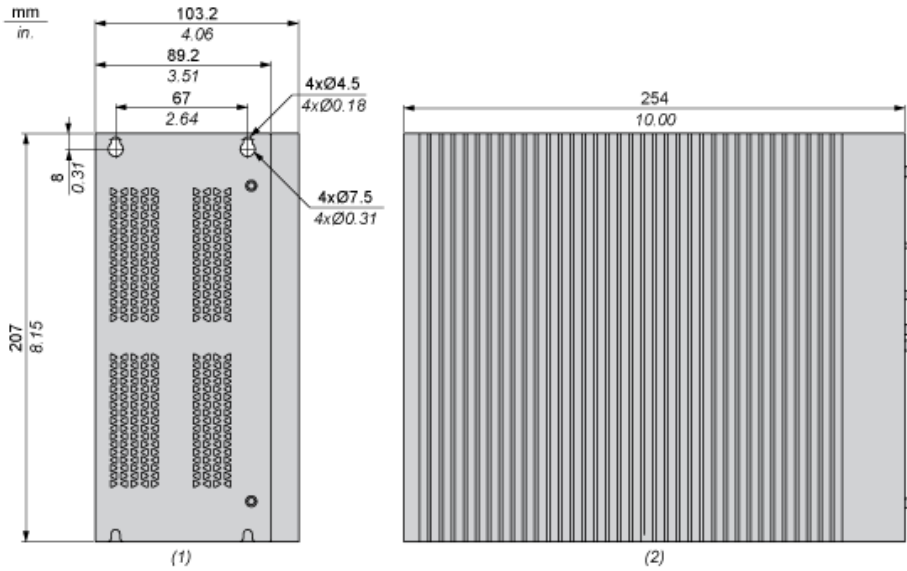
## Ordering and shipping details

Category	22575 - MAGELIS MC3
Discount Schedule	MC3
GTIN	00785901560289
Nbr. of units in pkg.	1
Package weight(Lbs)	13.20000000000001
Returnability	N
Country of origin	US

## Offer Sustainability

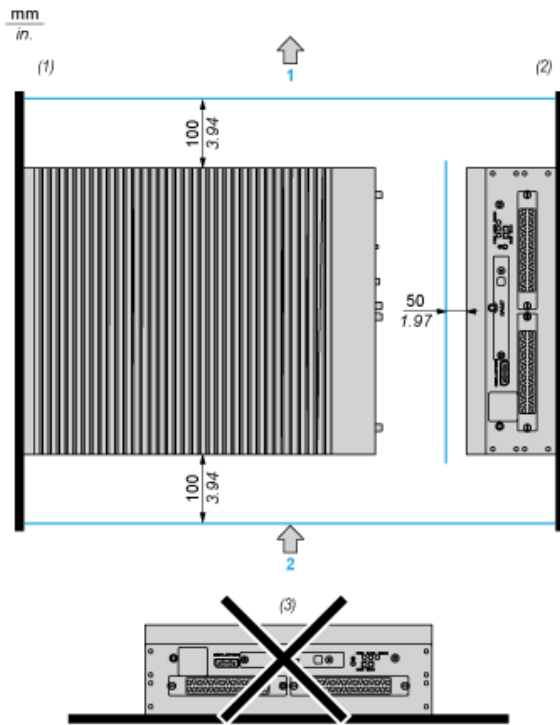
RoHS (date code: YYWW)	Compliant - since 1604 - Schneider Electric declaration of conformity  Schneider Electric declaration of conformity
California proposition 65	WARNING: This product can expose you to chemicals including:
- - - - - Substance 1	Lead and lead compounds, which is known to the State of California to cause cancer and birth defects or other reproductive harm.
- - - - - More information	For more information go to <a href="http://www.p65warnings.ca.gov">www.p65warnings.ca.gov</a>

Dimensions



- (1) Rear view
- (2) Left view

Spacing Requirements



- 1 : Air out
- 2 : Air in
- (1) Book mounting : Vertical mounting with rear fixing
- (2) Wall mounting : Vertical mounting with side fixing
- (3) Horizontal mounting

# Mouser Electronics

Authorized Distributor

Click to View Pricing, Inventory, Delivery & Lifecycle Information:

[Schneider Electric:](#)

[HMIBMUSI29D4801](#)