



Main

Range of Product	Harmony XVU
Product or Component Type	Modular tower light
Accessory / Separate Part Type	Fixing plate
Accessory / separate part category	Mounting and fixing accessory
Component name	XVU
Mounting diameter	2.36 in (60 mm)

Complementary

Mounting Support	Wall mounted
Product compatibility	XVUZ05 XVUZ800 XVUZ400 XVUZ02Q XVUZ02
Material	Aluminium V-0 UL 94
Housing Colour	Black
[Us] Rated Supply Voltage	24 V AC/DC 110...240 V AC
Length	0.31 in (8 mm)
Net Weight	0.79 lb(US) (0.36 kg)

Environment

Ambient Air Temperature for Storage	-40...158 °F (-40...70 °C)
Ambient air temperature for operation	-13...122 °F (-25...50 °C)
IP degree of protection	IP65
Product Certifications	CSA UL CE

Ordering and shipping details

Category	22618 - XVU TOWER LIGHTS
Discount Schedule	XV
GTIN	3606480887154
Nbr. of units in pkg.	1
Package weight(Lbs)	17.32 oz (491 g)
Returnability	Yes
Country of origin	ID

Packing Units

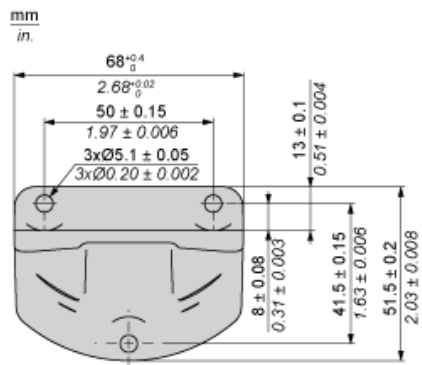
Unit Type of Package 1	PCE
Package 1 Height	2.00 in (50.68 mm)
Package 1 width	2.69 in (68.44 mm)
Package 1 Length	4.49 in (114.12 mm)

Offer Sustainability

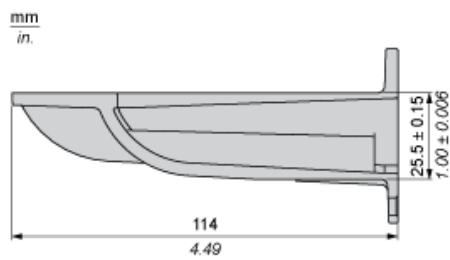
Sustainable offer status	Green Premium product
California proposition 65	WARNING: This product can expose you to chemicals including: Lead and lead compounds, which is known to the State of California to cause cancer and birth defects or other reproductive harm. For more information go to www.P65Warnings.ca.gov
REACH Regulation	REACH Declaration
EU RoHS Directive	Pro-active compliance (Product out of EU RoHS legal scope) EU RoHS Declaration
Mercury free	Yes
RoHS exemption information	Yes
China RoHS Regulation	China RoHS Declaration
Environmental Disclosure	Product Environmental Profile
Circularity Profile	End Of Life Information

Dimensions

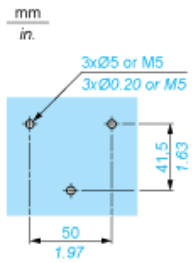
Rear View



Side View



Vertical Support Panel Drillings



Mouser Electronics

Authorized Distributor

Click to View Pricing, Inventory, Delivery & Lifecycle Information:

[Schneider Electric:](#)

[XVUZ12](#)