



### Main

|                                 |                       |
|---------------------------------|-----------------------|
| Range of Product                | Harmony XB4           |
| Product or Component Type       | Head for pilot light  |
| Product Compatibility           | Integral LED          |
| Device short name               | ZB4F                  |
| Bezel material                  | Chromium plated metal |
| Mounting diameter               | 1.20 in (30.5 mm)     |
| Sale per indivisible quantity   | 1                     |
| Head type                       | Built-in-flush        |
| Shape of signaling unit head    | Round                 |
| Cap/operator or lens colour     | Blue                  |
| Operator additional information | With plain lens       |

### Complementary

|                                    |  |
|------------------------------------|--|
| CAD overall width                  | 1.44 in (36.6 mm)  |
| CAD overall height                 | 1.44 in (36.6 mm)  |
| CAD overall depth                  | 1.22 in (31 mm)  |
| Net Weight                         | 0.13 lb(US) (0.058 kg)   |
| Resistance to high pressure washer | 1015.26 psi (7000000 Pa) 131 °F (55 °C) 0.1 m                                    |
| Electrical composition code        | P1 front mounting integral LED<br>P2 front mounting integral LED and transformer |
| Device presentation                | Basic element  |

### Environment

|                                       |  |
|---------------------------------------|--|
| Protective treatment                  | TH   |
| Ambient Air Temperature for Storage   | -40...158 °F (-40...70 °C)   |
| Ambient air temperature for operation | -40...158 °F (-40...70 °C)   |
| Overvoltage category                  | Class I IEC 60536  |
| IP degree of protection               | IP66 IEC 60529<br>IP67 IEC 60529<br>IP69 IEC 60529<br>IP69K ISO 20653<br>Type 13 UL 50 E<br>Type 12 UL 50 E<br>Type 4 UL 50 E<br>Type 4X UL 50 E |
| IK degree of protection               | IK06 IEC 50102   |
| Standards                             | EN/IEC 60947-5-4<br>EN/IEC 60947-5-1<br>UL 508<br>CSA C22.2 No 14<br>EN/IEC 60947-1<br>JIS C8201-5-1<br>CE<br>JIS C8201-1                        |
| Product Certifications                | UL Listed<br>CSA<br>CCC<br>EAC   |

The information provided in this documentation contains general descriptions and/or technical characteristics of the performance of the products contained herein. This documentation is not intended as a substitute for and is not to be used for determining suitability or reliability of these products for specific user applications. It is the duty of any such user or integrator to perform the appropriate and complete risk analysis, evaluation and testing of the products with respect to the relevant specific application or use thereof. Neither Schneider Electric Industries SAS nor any of its affiliates or subsidiaries shall be responsible or liable for misuse of the information contained herein.

|                      |   |
|----------------------|---|
| Vibration resistance | 5 gn 10...500 Hz)IEC 60068-2-6<br>2 mm peak to peak 2...10 Hz)IEC 60068-2-6   |
| Shock resistance     | 30 gn 18 ms) half sine wave acceleration IEC 60068-2-27<br>50 gn 11 ms) half sine wave acceleration IEC 60068-2-27<br>25 gn 6 ms) 1000 shocks on each axis IEC 60068-2-27 |

## Ordering and shipping details

|                       |                                     |
|-----------------------|-------------------------------------|
| Category              | 22468 - PUSHBUTTONS,22MM(METAL) NEW |
| Discount Schedule     | CS2                                 |
| GTIN                  | 3606489582579                       |
| Nbr. of units in pkg. | 1                                   |
| Package weight(Lbs)   | 2.05 oz (58 g)                      |
| Returnability         | Yes                                 |

## Packing Units

|                              |                        |
|------------------------------|------------------------|
| Unit Type of Package 1       | PCE                    |
| Package 1 Height             | 1.69 in (4.3 cm)       |
| Package 1 width              | 2.05 in (5.2 cm)       |
| Package 1 Length             | 2.17 in (5.5 cm)       |
| Unit Type of Package 2       | BB1                    |
| Number of Units in Package 2 | 5                      |
| Package 2 Weight             | 10.41 oz (295 g)       |
| Package 2 Height             | 1.69 in (4.3 cm)       |
| Package 2 width              | 2.17 in (5.5 cm)       |
| Package 2 Length             | 10.43 in (26.5 cm)     |
| Unit Type of Package 3       | S02                    |
| Number of Units in Package 3 | 40                     |
| Package 3 Weight             | 5.92 lb(US) (2.685 kg) |
| Package 3 Height             | 5.91 in (15 cm)        |
| Package 3 width              | 11.81 in (30 cm)       |
| Package 3 Length             | 15.75 in (40 cm)       |

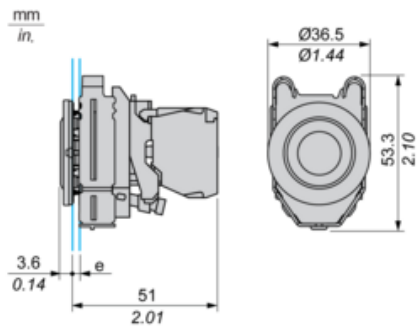
## Offer Sustainability

|                            |  |
|----------------------------|--|
| Sustainable offer status   | Green Premium product  |
| REACH Regulation           | <a href="#">REACH Declaration</a>  |
| REACH free of SVHC         | Yes  |
| EU RoHS Directive          | Pro-active compliance (Product out of EU RoHS legal scope) <a href="#">EU RoHS Declaration</a> |
| Toxic heavy metal free     | Yes  |
| Mercury free               | Yes  |
| RoHS exemption information | <a href="#">Yes</a>  |
| China RoHS Regulation      | <a href="#">China RoHS Declaration</a>   |
| Environmental Disclosure   | <a href="#">Product Environmental Profile</a>  |
| Circularity Profile        | <a href="#">End Of Life Information</a>  |

## Contractual warranty

|          |           |
|----------|-----------|
| Warranty | 18 months |
|----------|-----------|

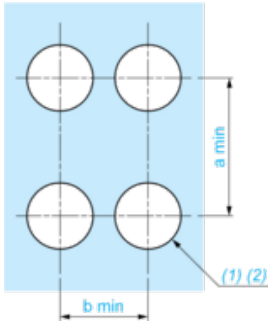
Dimensions



e : clamping thickness: 1 to 6 mm / 0.04 to 0.24 in.

Panel Cut-out for Pushbuttons, Switches and Pilot Lights (Finished Holes, Ready for Installation)

Connection by Screw Clamp Terminals or Plug-in Connectors



(1) : Diameter on finished panel or support

(2) :  $\text{Ø}30.75 \text{ mm}$  recommended ( $\text{Ø}30.5 \text{ }_0^{+0.5}$ ) /  $\text{Ø}1.21 \text{ in.}$  recommended ( $\text{Ø}1.20 \text{ in. }_0^{+0.0196}$ )

| Connections                                 | a in mm | a in in. | b in mm | b in in. |
|---|---------|----------|---------|----------|
| By connectors                               | 50      | 1.97     | 40      | 1.57     |
| By connectors and with legend holder ZBZF32 | 50      | 1.97     | 40      | 1.57     |
| By connectors and with legend holder ZBZF33 | 60      | 2.36     | 40      | 1.57     |

---

Electrical Composition Corresponding to Codes P1, P3, PF1, PR1 and PF2

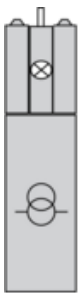
---

Light block

---

Electrical Composition Corresponding to Codes M6 and P2

---



---

Legend

---

Single contact

Double contact

Light block

Possible location



# Mouser Electronics

Authorized Distributor

Click to View Pricing, Inventory, Delivery & Lifecycle Information:

[Schneider Electric:](#)

[ZB4FV063](#)