

Product availability: Non-Stock - Not normally stocked in distribution facility



## Main

|                           |  |
|---------------------------|--|
| Range of product          | Harmony XB4                                |
| Product or component type | Complete manual overload reset push-button |
| Device short name         | XB4  |
| Bezel material            | Chromium plated metal                      |
| Fixing collar material    | Zamak                                      |
| Head type                 | Standard                                   |
| Mounting diameter         | 0.87 in (22 mm)                            |
| Operator profile          | Blue flush unmarked                        |
| Activating distance       | 5.12...10.12 in (130...257 mm)             |

## Complementary

|                                    |   |
|------------------------------------|---|
| Product weight                     | 0.16 lb(US) (0.071 kg)                                      |
| Resistance to high pressure washer | 1015.26 psi (7000000 Pa) at 131 °F (55 °C), distance: 0.1 m |
| Shape of signaling unit head       | Round   |
| Operating travel                   | 0.55 in (14 mm)   |
| Mechanical durability              | 5000000 cycles  |
| Compatibility code                 | XB4   |

## Environment

|                                       |   |
|---------------------------------------|---|
| Protective treatment                  | TH  |
| Ambient air temperature for storage   | -40...158 °F (-40...70 °C)  |
| Ambient air temperature for operation | -40...158 °F (-40...70 °C)  |
| Electrical shock protection class     | Class I conforming to IEC 60536   |
| IP degree of protection               | IP66 conforming to IEC 60529  |
| NEMA degree of protection             | NEMA 13<br>NEMA 4X  |
| IK degree of protection               | IK03 conforming to IEC 50102  |
| Standards                             | JIS C 4520<br>UL 508<br>EN/IEC 60947-1<br>CSA C22.2 No 14<br>EN/IEC 60947-5-1<br>EN/IEC 60947-5-4<br>EN/IEC 60947-5-5 |
| Product certifications                | DNV<br>GL<br>LROS (Lloyds register of shipping)<br>CSA<br>UL listed<br>RINA<br>BV                                     |

## Ordering and shipping details

|                       |                                     |
|-----------------------|-------------------------------------|
| Category              | 22468 - PUSHBUTTONS,22MM(METAL) NEW |
| Discount Schedule     | CS2                                 |
| GTIN                  | 00785901380580                      |
| Nbr. of units in pkg. | 1                                   |
| Package weight(Lbs)   | 1.55                                |

|                   |    |
|-------------------|----|
| Returnability     | N  |
| Country of origin | FR |

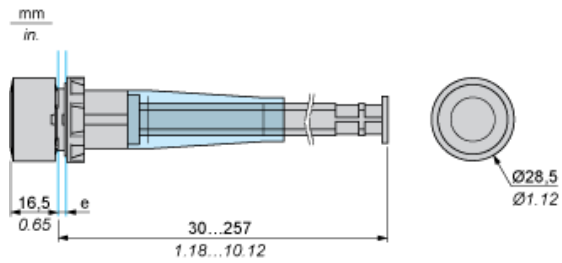
### Offer Sustainability

|                           |  |
|---------------------------|--|
| California proposition 65 | WARNING: This product can expose you to chemicals including:   |
| ----- Substance 1         | Nickel compounds, which is known to the State of California to cause cancer, and   |
| ----- Substance 2         | Di-isodecyl phthalate (DIDP), which is known to the State of California to cause birth defects or other reproductive harm. |
| ----- More information    | For more information go to <a href="http://www.p65warnings.ca.gov">www.p65warnings.ca.gov</a>                              |

### Contractual warranty

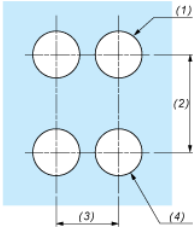
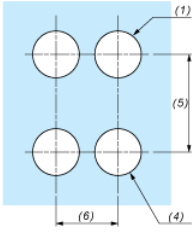
|                 |           |
|-----------------|-----------|
| Warranty period | 18 months |
|-----------------|-----------|

Dimensions



e: panel thickness: 1 to 6 mm / 0.04 to 0.24 in.

Panel Cut-out for Pushbuttons, Switches and Pilot Lights (Finished Holes, Ready for Installation)

| Connection by Screw Clamp Terminals or Plug-in Connectors or on Printed Circuit Board   | Connection by Faston Connectors   |
|---|---|
|    |  |
| <p>(1) Diameter on finished panel or support<br/>           (2) 40 mm min. / 1.57 in. min.<br/>           (3) 30 mm min. / 1.18 in. min.<br/>           (4) <math>\varnothing 22.5 \text{ mm} / 0.89 \text{ in. recommended } (\varnothing 22.3 \text{ mm }_0^{+0.4} / 0.88 \text{ in. }_0^{+0.016})</math><br/>           (5) 45 mm min. / 1.78 in. min.<br/>           (6) 32 mm min. / 1.26 in. min.</p> |   |

# Mouser Electronics

Authorized Distributor

Click to View Pricing, Inventory, Delivery & Lifecycle Information:

[Schneider Electric:](#)

[XB4BA962](#)