

Product availability: Non-Stock - Not normally stocked in distribution facility



Main

Range of product	Harmony XAR
Product or component type	Base station
Device short name	ZARB
Product specific application	Hoisting applications Material handling

Complementary

Connector type	Industrial socket
Cable entry	Cable gland
Material	PC (polycarbonate)
[Us] rated supply voltage	24...48 V AC/DC
Provided equipment	Internal antenna
Nominal output current	0.54 Aat 48 V AC conforming to IEC 60947-5-1
Number of relays	12
Relay type	Motion relay outputs (9 NO) Auxiliary relay outputs (3 NO)
Safety outputs	2 NC relay outputs
Switching capacity in VA	5 VA DC 26 VA AC
Maximum switching current	6.8 mA
Maximum switching voltage	48 V AC/DC (+/- 20%)
Communication network type	Wireless: bluetooth low energy
Transmission frequency	2.4 GHz
Maximum sensing distance	328.08 ft (100 m) in free field
Response time	100 ms
Number of channels	40
Fixing mode	4 holes
Electrical durability	100000 cycles
Mechanical durability	1000000 cycles
Service life	10 yr
Width	11.02 in (280 mm)
Height	12.01 in (305 mm)
Depth	3.94 in (100 mm)
Product weight	3.2 lb(US) (1.45 kg)

Environment

Vibration resistance	0.075 mm (f= 10...55 Hz)
Shock resistance	15 gnat 11 ms
IP degree of protection	IP65
NEMA degree of protection	NEMA 4
Pollution degree	3

Electromagnetic compatibility	Resistance to radiated electromagnetic fields: 10 V/m class B conforming to IEC 61000-4-3 Resistance to electrostatic discharge: 4 kV class B (on contact) conforming to IEC 61000-4-2 Resistance to electrostatic discharge: 8 kV class B (in air) conforming to IEC 61000-4-2
Standards	IEC 61000-6-2
Radio agreement	RSS ICASA FCC ARIB ANATEL SRRC
Relative humidity	0...97 %
Ambient air temperature for operation	> -13...158 °F (> -25...70 °C)
Ambient air temperature for storage	> -40...158 °F (> -40...70 °C)
Product certifications	UL C-Tick CE CSA EAC KC
Environmental characteristic	RoHS compliant

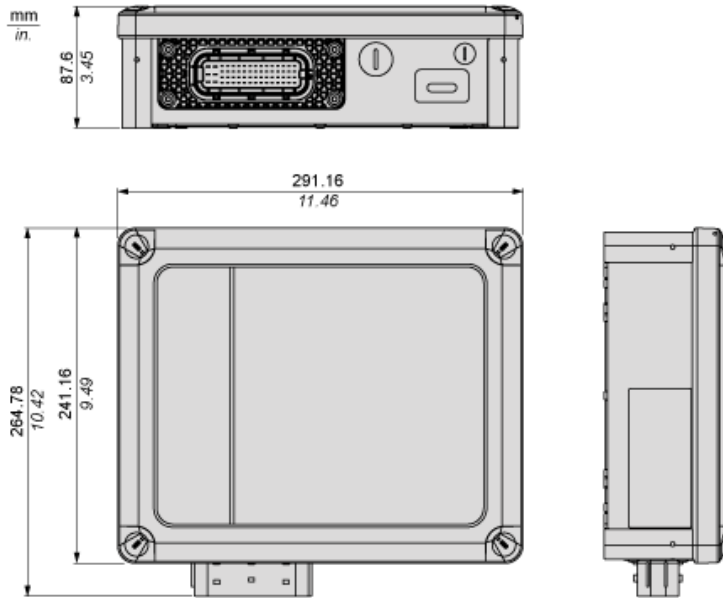
Ordering and shipping details

Category	22479 - EXL HOIST WIRELESS PENDANT & ACC
Discount Schedule	CS2
GTIN	00785901904335
Nbr. of units in pkg.	1
Package weight(Lbs)	3
Returnability	N
Country of origin	FR

Offer Sustainability

Sustainable offer status	Green Premium product
RoHS (date code: YYWW)	Compliant - since 1415 - Schneider Electric declaration of conformity Schneider Electric declaration of conformity
REACH	Reference not containing SVHC above the threshold
Product environmental profile	Available Product Environmental Profile
Product end of life instructions	Available End Of Life Information
California proposition 65	WARNING: This product can expose you to chemicals including:
----- Substance 1	Nickel compounds, which is known to the State of California to cause cancer, and
----- Substance 2	Di-isodecyl phthalate (DIDP), which is known to the State of California to cause birth defects or other reproductive harm.
----- More information	For more information go to www.p65warnings.ca.gov

Dimensions



Mouser Electronics

Authorized Distributor

Click to View Pricing, Inventory, Delivery & Lifecycle Information:

[Schneider Electric:](#)

[ZARB12H](#)