

SSLM1LD23BD

Solid State Relay, Zelio Relay, output module,
DIN rail mount, 3A, 4 to 28VDC input, 5 to
60VDC output



Main

Range of Product	Harmony Relay
Product or Component Type	Solid state relay
Device short name	SSLM
Phase	1 phase

Complementary

Mounting Support	Symmetrical DIN rail
Line Rated Current	3 A
Output voltage	5...60 V DC
[Uc] control circuit voltage	4...28 V DC
Contacts type and configuration	1 NO
CLAMPING FORCE	0.6...0.8 N.m
Connections - terminals	Screw terminals, 1 x 0.2...1 x 5.26 mm ² AWG 24...AWG 10)
Switching voltage	4 V DC turn-on
Load current	0...3 A
Maximum voltage drop	<1 V on-state
Maximum leakage current	0.001 mA off-state
Response time	50 μs (turn-on) 100 μs (turn-off)
Overvoltage category	III
Width	0.30 in (7.5 mm)
Height	3.15 in (80 mm)
Depth	2.48 in (63 mm)
Net Weight	0.07 lb(US) (0.03 kg)

Environment

Dielectric strength	4000 V for input/output
Pollution degree	2
Product Certifications	EAC UL CSA
Marking	EAC CE CSA UL
Ambient air temperature for operation	32...158 °F (0...70 °C)

The information provided in this documentation contains general descriptions and/or technical characteristics of the performance of the products contained herein. This documentation is not intended as a substitute for and is not to be used for determining suitability or reliability of these products for specific user applications. It is the duty of any such user or integrator to perform the appropriate and complete risk analysis, evaluation and testing of the products with respect to the relevant specific application or use thereof. Neither Schneider Electric Industries SAS nor any of its affiliates or subsidiaries shall be responsible or liable for misuse of the information contained herein.

Ordering and shipping details

Category	21127 - ZELIO ICE CUBE RELAYS
Discount Schedule	CP2
GTIN	3606485441801
Nbr. of units in pkg.	1
Package weight(Lbs)	1.09 oz (31 g)
Returnability	Yes
Country of origin	MX

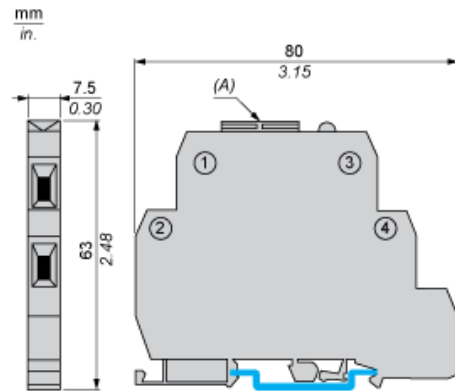
Packing Units

Unit Type of Package 1	PCE
Package 1 Height	2.36 in (6 cm)
Package 1 width	0.30 in (0.75 cm)
Package 1 Length	3.15 in (8 cm)
Unit Type of Package 2	BB1
Number of Units in Package 2	12
Package 2 Weight	15.94 oz (452 g)
Package 2 Height	2.95 in (7.5 cm)
Package 2 width	4.33 in (11 cm)
Package 2 Length	4.37 in (11.1 cm)
Unit Type of Package 3	S01
Number of Units in Package 3	48
Package 3 Weight	4.44 lb(US) (2.012 kg)
Package 3 Height	5.91 in (15 cm)
Package 3 width	5.91 in (15 cm)
Package 3 Length	15.75 in (40 cm)

Offer Sustainability

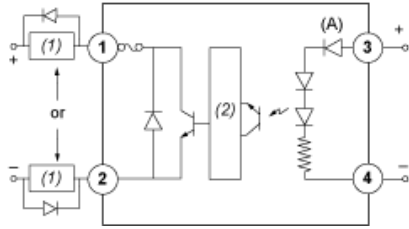
Sustainable offer status	Green Premium product
California proposition 65	WARNING: This product can expose you to chemicals including: Nickel compounds, which is known to the State of California to cause cancer, and Di-isodecyl phthalate (DIDP), which is known to the State of California to cause birth defects or other reproductive harm. For more information go to www.P65Warnings.ca.gov
REACH Regulation	REACH Declaration
EU RoHS Directive	Pro-active compliance (Product out of EU RoHS legal scope) EU RoHS Declaration
Mercury free	Yes
RoHS exemption information	Yes
China RoHS Regulation	China RoHS Declaration
Environmental Disclosure	Product Environmental Profile
Circularity Profile	End Of Life Information

Dimensions



(A) Fuse Holder

Wiring Diagram



- 1,2 : Field VDC (Supply through Load)
- 3, 4 : Vcc
- (1) Load
- (2) Amplifier
- (A) LED

Mouser Electronics

Authorized Distributor

Click to View Pricing, Inventory, Delivery & Lifecycle Information:

[Schneider Electric:](#)

[SSLM1LD23BD](#)