

Product availability: Non-Stock - Not normally stocked in distribution facility



### Main

Range of product	Harmony K
Product or component type	Complete cam switch
Component name	K115
[Ith] conventional free air thermal current	115 A
Mounting location	Front
Fixing mode	4 holes
Cam switch head type	With front plate 88 x 88 mm
Type of operator	Black handle
Rotary handle padlocking	Without
Presentation of legend	With metallic legend, 1 - 0 - 2 black marking
Cam switch function	Changeover switch
Return	Without
Off position	With Off position
Poles description	3P
Switching positions	Right: 0° - 60° Left: 0° - 300°
IP degree of protection	IP40 conforming to IEC 529 IP40 conforming to NF C 20-010

### Complementary

Switching angle	60 °
[Ui] rated insulation voltage	690 V degree of pollution 3 conforming to EN 60947-1 690 V degree of pollution 3 conforming to IEC 60947-1
Rated operational power in W	65000 W AC-23A/660/690 V 3 phases conforming to EN/IEC 60947-3 15000 W AC-23A/220/240 V 1 phase conforming to EN/IEC 60947-3 22000 W AC-23A/380/440 V 1 phase conforming to EN/IEC 60947-3 13000 W AC-3/380/440 V 1 phase conforming to EN/IEC 60947-3 45000 W AC-23A/380/440 V 3 phases conforming to EN/IEC 60947-3 30000 W AC-3/660/690 V 3 phases conforming to EN/IEC 60947-3 30000 W AC-3/380/440 V 3 phases conforming to EN/IEC 60947-3 7500 W AC-3/220/240 V 1 phase conforming to EN/IEC 60947-3 5500 W AC-23A/110 V 1 phase conforming to EN/IEC 60947-3 15000 W AC-3/220/240 V 3 phases conforming to EN/IEC 60947-3 3700 W AC-3/110 V 1 phase conforming to EN/IEC 60947-3 30000 W AC-23A/220/240 V 3 phases conforming to EN/IEC 60947-3
[Ie] rated operational current AC	100 A AC-21A conforming to EN/IEC 60947-3
Short-circuit current	15000 A
Short-circuit protection	125 A by cartridge fuse, type gG
[Uimp] rated impulse withstand voltage	6 kV conforming to EN 947-1 6 kV conforming to IEC 947-1
Contact operation	Slow-break
Positive opening	With
Electrical connection	Captive screw clamp terminals flexible, 1 x 25 mm <sup>2</sup> Captive screw clamp terminals solid, 1 x 35 mm <sup>2</sup>
Tightening torque	22.12 lbf.in (2.5 N.m)

The information provided in this documentation contains general descriptions and/or technical characteristics of the performance of the products contained herein. This documentation is not intended as a substitute for and is not to be used for determining suitability or reliability of these products for specific user applications. It is the duty of any such user or integrator to perform the appropriate and complete risk analysis, evaluation and testing of the products with respect to the relevant specific application or use thereof. Neither Schneider Electric Industries SAS nor any of its affiliates or subsidiaries shall be responsible or liable for misuse of the information contained herein.

Switching capacity in mA	100000 mA DC at 140 V 3 contact(s) for resistive load (T = 1 ms) 100000 mA DC at 24 V 1 contact(s) for inductive load (T = 50 ms) 100000 mA DC at 48 V 1 contact(s) for resistive load (T = 1 ms) 100000 mA DC at 48 V 2 contact(s) for inductive load (T = 50 ms) 100000 mA DC at 70 V 3 contact(s) for inductive load (T = 50 ms) 100000 mA DC at 95 V 2 contact(s) for resistive load (T = 1 ms) 115000 mA DC at 24 V 1 contact(s) for resistive load (T = 1 ms) 115000 mA DC at 48 V 2 contact(s) for resistive load (T = 1 ms) 115000 mA DC at 70 V 3 contact(s) for resistive load (T = 1 ms) 33000 mA DC at 30 V 1 contact(s) for inductive load (T = 50 ms) 33000 mA DC at 60 V 2 contact(s) for inductive load (T = 50 ms) 33000 mA DC at 90 V 3 contact(s) for inductive load (T = 50 ms)
Mechanical durability	300000 cycles
CAD overall width	3.46 in (88 mm)
CAD overall height	3.46 in (88 mm)
CAD overall depth	6.06 in (154 mm)
Product weight	1.42 lb(US) (0.645 kg)

## Environment

Standards	EN/IEC 60947-3
Product certifications	CULus 120 V 5 hp 1 phase CULus 240 V 10 hp 1 phase CULus 240 V 20 hp 3 phases CULus 480 V 30 hp 3 phases
Protective treatment	TC
Ambient air temperature for operation	-13...131 °F (-25...55 °C)
Ambient air temperature for storage	-40...158 °F (-40...70 °C)
Overvoltage category	Class II conforming to IEC 60536 Class II conforming to NF C 20-030

## Ordering and shipping details

Category	21446 - 9003 K CAM SWITCHES
Discount Schedule	CS1
GTIN	00785901636175
Nbr. of units in pkg.	1
Package weight(Lbs)	1.4199999999999999
Returnability	N
Country of origin	AT

## Offer Sustainability

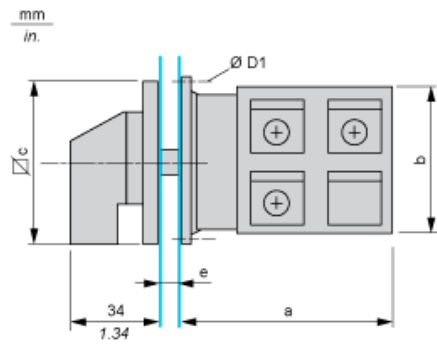
California proposition 65	WARNING: This product can expose you to chemicals including:
----- Substance 1	Nickel compounds, which is known to the State of California to cause cancer, and
----- Substance 2	Di-isodecyl phthalate (DIDP), which is known to the State of California to cause birth defects or other reproductive harm.
----- More information	For more information go to <a href="http://www.p65warnings.ca.gov">www.p65warnings.ca.gov</a>

## Contractual warranty

Warranty period	18 months
-----------------	-----------

Dimensions

Front Mounting

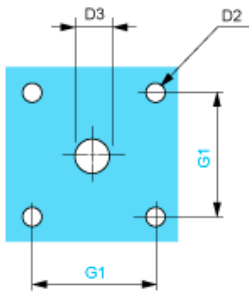


e support panel thickness 0.5 to 5.5 mm / 0.02 to 0.22 in in.

a		b		c		D1	
mm	in.	mm	in.	mm	in.	mm	in.
114.5	4.51	84	3.31	88	3.46	5.4	0.21

Panel Cut-Out

Front Mounting

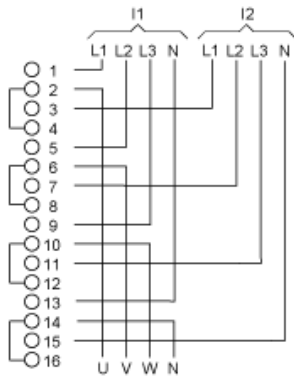


D2		D3		G1	
mm	in.	mm	in.	mm	in.
6	0.24	13	0.51	68	2.68

Link Positions (Factory Mounted)

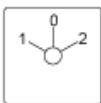
Diagram for 1 to 4-pole Switches

Select the number of poles according to the product characteristics

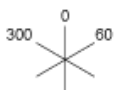


- I1 Input 1
- I2 Input 2

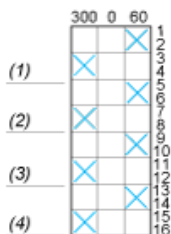
Marking



Angular Position of Switch



Switching Program



- (1) 1-pole
- (2) 2-pole
- (3) 3-pole
- (4) 4-pole

Convention Used for Switching Program Representation

- Contact closed
- Contact closed in 2 positions and maintained between the 2 positions



Sealed assembly for auto-maintain control



Overlapping contacts



Spring return position: for a switching angle of  $90^\circ$ , spring return is over  $30^\circ$  after the last position (for a maximum of 3 simultaneous contacts).

Example:



# Mouser Electronics

Authorized Distributor

Click to View Pricing, Inventory, Delivery & Lifecycle Information:

[Schneider Electric:](#)

[K115F003UP](#)