



Product availability: Stock - Normally stocked in distribution facility



Main

Range of product	Harmony 9001SK Harmony 9001K
Product or component type	Empty enclosure
Device short name	9001T
Number of cut-out	1 cut-out
Cable entry	1 entry tapped for 14 mm cable gland

Complementary

Product destination	For Ø 30 mm control and signalling units
Material	Aluminium
Product weight	2.58 lb(US) (1.17 kg)

Environment

Protective treatment	TH
Ambient air temperature for storage	-40...158 °F (-40...70 °C)
Ambient air temperature for operation	-13...158 °F (-25...70 °C)
Overvoltage category	II conforming to IEC 61140
NEMA degree of protection	NEMA 1 NEMA 12 NEMA 13 NEMA 3 NEMA 4 NEMA 6

Ordering and shipping details

Category	21432 - 9001 T AND ACCESSORIES
Discount Schedule	CS1
GTIN	00785901501411
Nbr. of units in pkg.	1
Package weight(Lbs)	2.6200000000000001
Returnability	Y
Country of origin	MX

Offer Sustainability

Sustainable offer status	Green Premium product
RoHS (date code: YYWW)	Compliant - since 1442 - Schneider Electric declaration of conformity Schneider Electric declaration of conformity
REACH	Reference not containing SVHC above the threshold
Product environmental profile	Available
Product end of life instructions	Need no specific recycling operations
California proposition 65	WARNING: This product can expose you to chemicals including:
----- Substance 1	Nickel compounds, which is known to the State of California to cause cancer, and

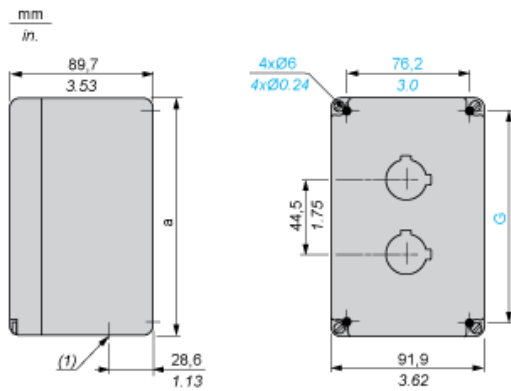
----- Substance 2	Di-isodecyl phthalate (DIDP), which is known to the State of California to cause birth defects or other reproductive harm.
----- More information	For more information go to www.p65warnings.ca.gov

Contractual warranty

Warranty period	18 months
-----------------	-----------

Dimensions

Below drawing shows a 2-hole enclosure. Refer to the product characteristics to get the number of holes.



(1) Conduit thread: 9001 KY•: 3/4". 9001 TY•: 14 mm / 0.55 in.

a		G	
mm	in.	mm	in.
101.6	4.00	69.9	2.75

Mouser Electronics

Authorized Distributor

Click to View Pricing, Inventory, Delivery & Lifecycle Information:

[Schneider Electric:](#)

[9001TY1](#)