

Product availability: Stock - Normally stocked in distribution facility



Main

| | |
|---------------------------|--|
| Range of product | Harmony 9001K |
| Product or component type | Contact block with protected terminals |
| Device short name | 9001K |

Complementary

| | |
|--|---|
| Terminals description ISO n°1 | (1-2)NC_CL |
| Product weight | 0.05 lb(US) (0.023 kg) |
| Contacts type and composition | 1 NO |
| Contact operation | Early-break |
| Positive opening | Without |
| Connections - terminals | Screw clamp terminals (1 x 0.22...2 x 2.5 mm ²) conforming to IEC 60947-1 |
| Tightening torque | 7.08 lbf.in (0.8 N.m) conforming to IEC 60947-1 |
| Shape of screw head | Cross slotted head |
| Contacts material | Silver alloy contacts |
| Short-circuit protection | 10 A cartridge fuse conforming to IEC 60947-5-1 |
| [I _{th}] conventional free air thermal current | 10 A |
| [U _i] rated insulation voltage | 250 V (degree of pollution: 3) conforming to IEC 60947-1 |
| [U _{imp}] rated impulse withstand voltage | 2.5 kV conforming to IEC 60947-1 |
| [I _e] rated operational current | 3 A at 240 V AC-15, A600-Q600 conforming to NEMA 0.55 A at 125 V DC-13, A600-Q600 conforming to NEMA |
| [I _{cm}] rated short-circuit making capacity | 0.1 kA at 600 V DC-13 0.27 kA at 250 V DC-13 0.55 kA at 125 V DC-13 12 kA at 600 V AC-15, 7200 VA 15 kA at 480 V AC-15, 7200 VA 30 kA at 240 V AC-15, 7200 VA 60 kA at 120 V AC-15, 7200 VA |
| Rated breaking capacity | 3 kA at 240 V AC-15, 720 VA 6 kA at 120 V AC-15, 720 VA 1.2 kA at 600 V AC-15, 720 VA 1.5 kA at 480 V AC-15, 720 VA 0.1 kA at 600 V DC-13 0.27 kA at 250 V DC-13 0.55 kA at 125 V DC-13 |

Environment

| | |
|---------------------------------------|----------------------------------|
| Protective treatment | TC |
| Ambient air temperature for storage | -40...158 °F (-40...70 °C) |
| Ambient air temperature for operation | -13...158 °F (-25...70 °C) |
| Electrical shock protection class | Class II conforming to IEC 61140 |
| IP degree of protection | IP20 conforming to IEC 60529 |

| | |
|------------------------|--|
| Standards | EN/IEC 60947-5-4 UL 508 JIS C 4520 EN/IEC 60947-1 CSA C22.2 No 14 EN/IEC 60947-5-1 JIS C 852 |
| Product certifications | UL 508 NEMA |
| Vibration resistance | 7 gn (f = 2...500 Hz) conforming to IEC 60068-2-6 |
| Shock resistance | 50 gn conforming to IEC 60068-2-27 |

Ordering and shipping details

| | |
|-----------------------|--------------------------------|
| Category | 21434 - 9001 KA CONTACT BLOCKS |
| Discount Schedule | CS1 |
| GTIN | 00785901849773 |
| Nbr. of units in pkg. | 1 |
| Package weight(Lbs) | 5.0000000000000003E-2 |
| Returnability | Y |
| Country of origin | MX |

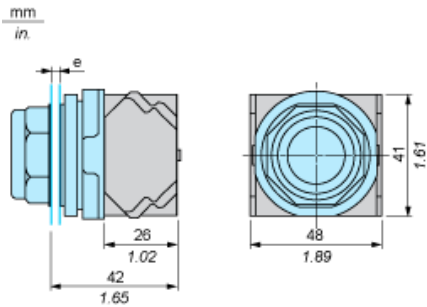
Offer Sustainability

| | |
|---------------------------|--|
| RoHS (date code: YYWW) | Compliant - since 0921 - Schneider Electric declaration of conformity Schneider Electric declaration of conformity |
| REACH | Reference not containing SVHC above the threshold |
| California proposition 65 | WARNING: This product can expose you to chemicals including: |
| ----- Substance 1 | Nickel compounds, which is known to the State of California to cause cancer, and |
| ----- Substance 2 | Di-isodecyl phthalate (DIDP), which is known to the State of California to cause birth defects or other reproductive harm. |
| ----- More information | For more information go to www.p65warnings.ca.gov |

Contractual warranty

| | |
|-----------------|-----------|
| Warranty period | 18 months |
|-----------------|-----------|

Dimensions



e panel thickness: 1 to 6 mm / 0.04 to 0.24 in.

Mouser Electronics

Authorized Distributor

Click to View Pricing, Inventory, Delivery & Lifecycle Information:

[Schneider Electric:](#)

[9001KA6](#)