

Product availability: Non-Stock - Not normally stocked in distribution facility



Main

Accessory / separate part category	Cabling accessory
Accessory / separate part type	Jumper cable

Complementary

Jumper cable end 1	M12 male, :3 pins (straight), fixing: screw-on
Jumper cable end 2	M12 female, :3 pins (elbowed), fixing: screw-on
Cable composition	3 x 0.34 mm ²
Cable length	3.28 ft (1 m)
Wire insulation material	PUR
Cable outer diameter	0.2 in (5.2 mm)
System Voltage	250 V AC 300 V DC
Line Rated Current	4 A
Insulation resistance	>= 1000 MOhm
Resistance across terminals	<= 5000 mOhm
Product weight	0.14 lb(US) (0.065 kg)


Environment

IP degree of protection	IP69K IP65 IP67
Product certifications	cULus
Ambient air temperature for operation	-31...194 °F (-35...90 °C) (static) 23...194 °F (-5...90 °C) (flexing)
Ambient air temperature for storage	-31...212 °F (-35...100 °C)

Ordering and shipping details

Category	22483 - MACHINE CABLES
Discount Schedule	DS3
GTIN	003389110762440
Nbr. of units in pkg.	1
Package weight(Lbs)	0.14000000000000001
Returnability	N
Country of origin	CZ

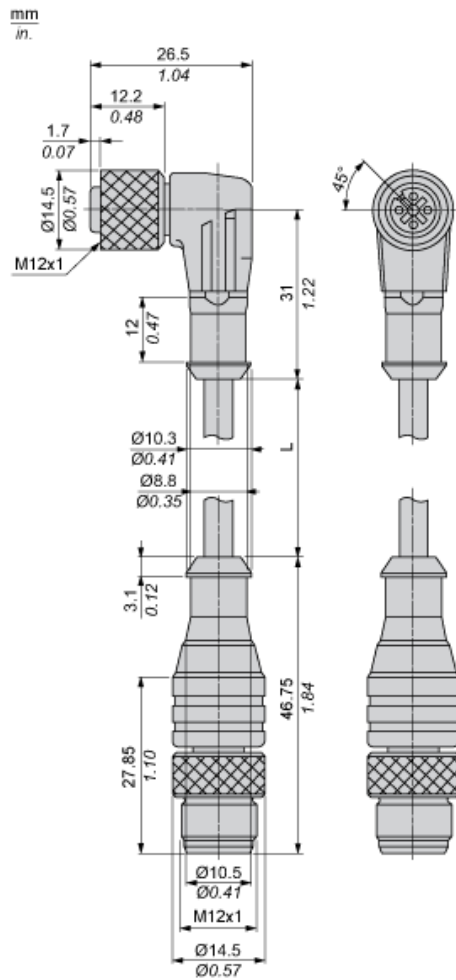
Offer Sustainability

Sustainable offer status	Green Premium product
RoHS (date code: YYWW)	Compliant - since 0649 - Schneider Electric declaration of conformity  Schneider Electric declaration of conformity
REACH	Reference not containing SVHC above the threshold
Product environmental profile	Available
Product end of life instructions	Available
California proposition 65	WARNING: This product can expose you to chemicals including:
----- Substance 1	Diisononyl phthalate (DINP), which is known to the State of California to cause cancer, and
----- Substance 2	Di-isodecyl phthalate (DIDP), which is known to the State of California to cause birth defects or other reproductive harm.
----- More information	For more information go to www.p65warnings.ca.gov

Contractual warranty

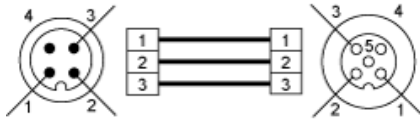
Warranty period	18 months
-----------------	-----------

Dimensions



L : Length of cable

Connections and Schemes



Mouser Electronics

Authorized Distributor

Click to View Pricing, Inventory, Delivery & Lifecycle Information:

[Schneider Electric:](#)

[XZCR1512040E1](#)