



Product availability: Stock - Normally stocked in distribution facility



Main

| | |
|--------------------------------|---|
| Range of product | Advantys Telefast ABE7 |
| Product or component type | Sub-base for plug-in relay |
| Sub-base type | Input sub-base |
| [Us] rated supply voltage | 19...30 V conforming to IEC 61131-2 |
| Number of channels | 16 |
| Number of terminal per channel | 2 |
| Connections - terminals | <p>Screw type terminals, clamping capacity: 1 x 0.09...1 x 1.5 mm², cable cross section: 0...0 in² (0.09...1.5 mm²) AWG 28...AWG 16 flexible with cable end</p> <p>Screw type terminals, clamping capacity: 1 x 0.14...1 x 2.5 mm², cable cross section: 0...0 in² (0.14...2.5 mm²) AWG 26...AWG 12 solid</p> <p>Screw type terminals, clamping capacity: 1 x 0.14...1 x 2.5 mm², cable cross section: 0...0 in² (0.14...2.5 mm²) AWG 26...AWG 14 flexible without cable end</p> <p>Screw type terminals, clamping capacity: 2 x 0.09...2 x 0.75 mm², cable cross section: 0...0 in² (0.09...0.75 mm²) AWG 28...AWG 20 flexible with cable end</p> <p>Screw type terminals, clamping capacity: 2 x 0.2...2 x 2.5 mm², cable cross section: 0...0 in² (0.2...2.5 mm²) AWG 24...AWG 14 solid</p> |

Complementary

| | |
|--|--|
| Supply voltage type | DC |
| Product compatibility | ABR7 ABS7E ABS7S33E |
| Status LED | 1 LED per channel, green channel status 1 LED, green power ON |
| Isolation PLC/operative part | Yes |
| Polarity distribution | Volt-free |
| Short-circuit protection | 1 A internal fuse, 5 x 20 mm, fast blow (PLC end) |
| Fixing mode | By clips on 35 mm symmetrical DIN rail By screws on solid plate with fixing kit |
| Supply current | ≤ 1 A |
| Voltage drop on power supply fuse | 0.3 V |
| [Uimp] rated impulse withstand voltage | 2.5 kV |
| [Ui] rated insulation voltage | 2000 V between terminals/mounting rails 300 V between coil circuit/contact circuits conforming to IEC 60947-1 |
| Installation category | II conforming to IEC 60664-1 |
| Tightening torque | 5.31 lbf.in (0.6 N.m) (with flat Ø 3.5 mm) |
| Product weight | 1.87 lb(US) (0.85 kg) |

The information provided in this documentation contains general descriptions and/or technical characteristics of the performance of the products contained herein. This documentation is not intended as a substitute for and is not to be used for determining suitability or reliability of these products for specific user applications. It is the duty of any such user or integrator to perform the appropriate and complete risk analysis, evaluation and testing of the products with respect to the relevant specific application or use thereof. Neither Schneider Electric Industries SAS nor any of its affiliates or subsidiaries shall be responsible or liable for misuse of the information contained herein.

Environment

| | |
|---------------------------------------|--|
| Product certifications | BV CSA DNV GL LROS (Lloyds register of shipping) UL |
| IP degree of protection | IP2x conforming to IEC 60529 |
| Resistance to incandescent wire | 1382 °F (750 °C) conforming to IEC 60695-2-11 |
| Shock resistance | 15 gn 11 ms conforming to IEC 60068-2-27 |
| Vibration resistance | 2 gn (f = 10...150 Hz) conforming to IEC 60068-2-6 |
| Resistance to electrostatic discharge | 4 kV (contact) conforming to IEC 61000-4-2 level 3 8 kV (air) conforming to IEC 61000-4-2 level 3 |
| Resistance to radiated fields | 9.14 V/yd (10 V/m) (26000000...100000000 Hz) conforming to IEC 61000-4-3 level 3 |
| Resistance to fast transients | 2 kV conforming to IEC 61000-4-4 level 3 |
| Ambient air temperature for operation | 23...140 °F (-5...60 °C) conforming to IEC 61131-2 |
| Ambient air temperature for storage | -40...176 °F (-40...80 °C) conforming to IEC 61131-2 |
| Pollution degree | 2 conforming to IEC 60664-1 |

Ordering and shipping details

| | |
|-----------------------|-----------------------------------|
| Category | 22375 - INTERFACE MODULE(ABA,R,S) |
| Discount Schedule | CP2 |
| GTIN | 00785901297710 |
| Nbr. of units in pkg. | 1 |
| Package weight(Lbs) | 1.71 |
| Returnability | Y |
| Country of origin | LV |

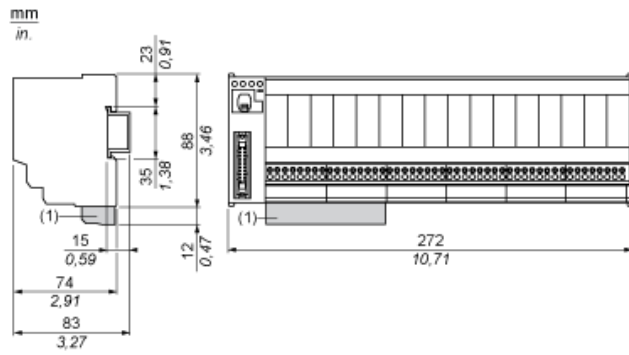
Offer Sustainability

| | |
|----------------------------------|--|
| Sustainable offer status | Green Premium product |
| RoHS (date code: YYWW) | Compliant - since 0841 - Schneider Electric declaration of conformity Schneider Electric declaration of conformity |
| REACH | Reference not containing SVHC above the threshold |
| Product environmental profile | Available |
| Product end of life instructions | Available |
| California proposition 65 | WARNING: This product can expose you to chemicals including: |
| ----- Substance 1 | Lead and lead compounds, which is known to the State of California to cause cancer and birth defects or other reproductive harm. |
| ----- More information | For more information go to www.p65warnings.ca.gov |

Contractual warranty

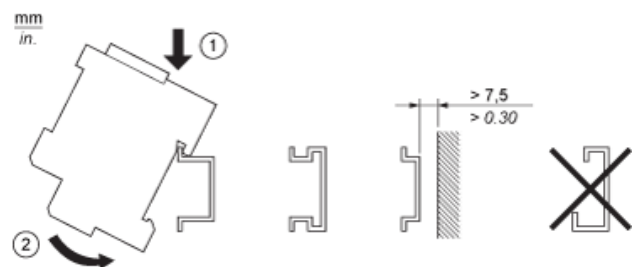
| | |
|-----------------|-----------|
| Warranty period | 18 months |
|-----------------|-----------|

Dimensions

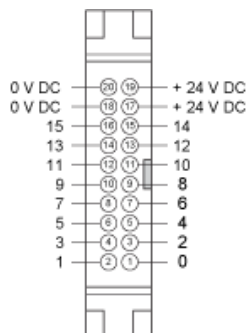


(1) ABE7BV10 / BV20, ABE7BV10E / BV20E

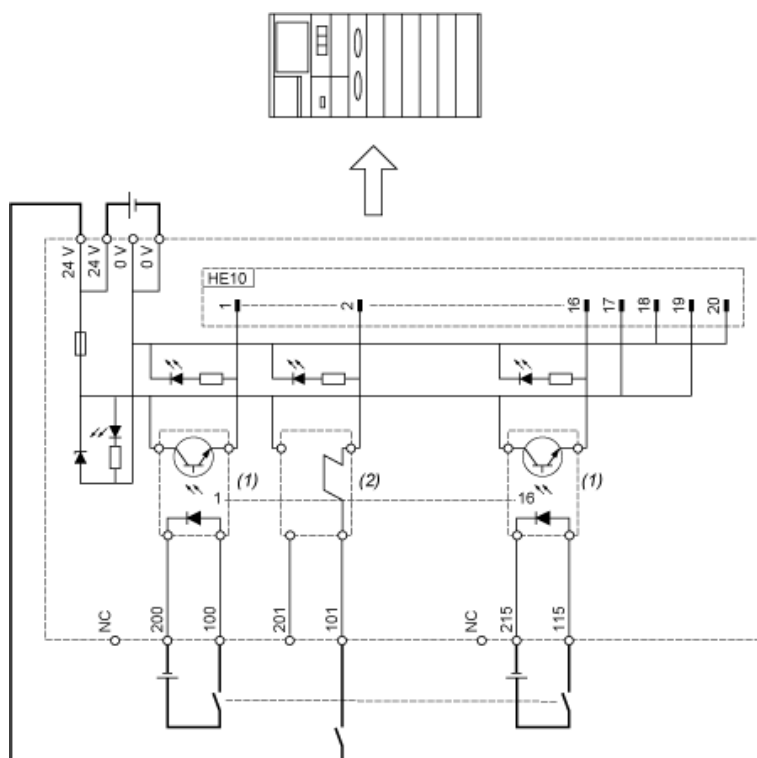
Mounting



HE10 16 Channels



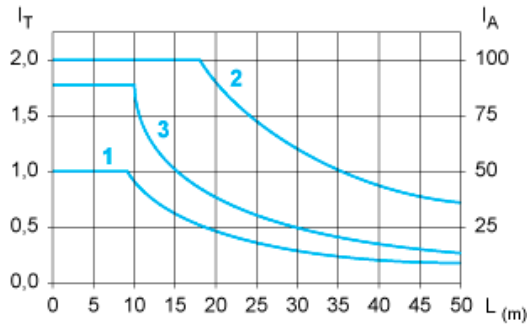
Wiring Diagram



- (1) ABS7EC3AL (5 VDC TTL) / ABS7EC3B2 (24 VDC) / ABS7EC3E2 (48 VDC) / ABS7EA3E5 (48 VAC) / ABS7EA3F5 (110/130 VAC) / ABS7EA3M5 (230/240 VAC) (not supplied)
- (2) ABE7ACC21 (24 VDC) (not supplied / not isolated)

Curves for Determining Cable Type and Length According to the Current

16-channel Sub-base



L Cable length

I_T Total current per sub base (A)

I_A Average current per channel (mA)

(1) TSXCDP••2 and ABFH20H••0 cables with c.s.a. 0.08 mm² (AWG 28).

(2) TSXCDP••3 cables with c.s.a. 0.34 mm² (AWG 22).

(3) Cables with c.s.a. 0.13 mm² (AWG 26).

The curves are given for a voltage drop of 1 V in the cable. For n volts tolerance, multiply the length determined from the graph by n.

Mouser Electronics

Authorized Distributor

Click to View Pricing, Inventory, Delivery & Lifecycle Information:

[Schneider Electric:](#)

[ABE7P16F310](#)