

Product availability: Stock - Normally stocked in distribution facility



Main

Range of product	Advantys Telefast ABE7
Product or component type	Connection sub-base for analogue channels
Number of channels	4
Connections - terminals	<p>Screw type terminals, clamping capacity: 1 x 0.09...1 x 1.5 mm² AWG 28...AWG 16 flexible with cable end</p> <p>Screw type terminals, clamping capacity: 1 x 0.14...1 x 2.5 mm² AWG 26...AWG 12 solid</p> <p>Screw type terminals, clamping capacity: 1 x 0.14...1 x 2.5 mm² AWG 26...AWG 14 flexible without cable end</p> <p>Screw type terminals, clamping capacity: 2 x 0.09...2 x 0.75 mm² AWG 28...AWG 20 flexible with cable end</p> <p>Screw type terminals, clamping capacity: 2 x 0.2...2 x 2.5 mm² AWG 24...AWG 14 solid</p>

Complementary

Function of module	Distribution of supply and 4 analogue channels protected isolated , compatible with Modicon M340
Product compatibility	BMXAMI0410 compatible with Modicon M340
Connection to PLC	SUB-D 25
Fixing mode	By clips on 35 mm symmetrical DIN rail By screws on solid plate with fixing kit
[Ui] rated insulation voltage	2000 V between terminals/mounting rails
Installation category	II conforming to IEC 60664-1
Tightening torque	5.31 lbf.in (0.6 N.m) (with flat Ø 3.5 mm)
Product weight	0.4 lb(US) (0.18 kg)

Environment

Product certifications	<p>CSA</p> <p>UL</p> <p>BV</p> <p>DNV</p> <p>GL</p> <p>LROS (Lloyds register of shipping)</p>
IP degree of protection	IP20 conforming to IEC 60529
Resistance to incandescent wire	1382 °F (750 °C), extinction time: < 30 s conforming to IEC 60695-2-11
Shock resistance	15 gn 11 ms conforming to IEC 60068-2-27
Vibration resistance	2 gn (f = 10...150 Hz) conforming to IEC 60068-2-6
Resistance to electrostatic discharge	<p>4 kV (contact) conforming to IEC 61000-4-2 level 3</p> <p>8 kV (air) conforming to IEC 61000-4-2 level 3</p>
Resistance to radiated fields	9.14 V/yd (10 V/m) (26000000...1000000000 Hz) conforming to IEC 61000-4-3 level 3
Resistance to fast transients	2 kV conforming to IEC 61000-4-4 level 3
Ambient air temperature for operation	32...140 °F (0...60 °C) conforming to IEC 61131-2
Ambient air temperature for storage	-40...176 °F (-40...80 °C) conforming to IEC 61131-2
Pollution degree	2 conforming to IEC 60664-1

The information provided in this documentation contains general descriptions and/or technical characteristics of the performance of the products contained herein. This documentation is not intended as a substitute for and is not to be used for determining suitability or reliability of these products for specific user applications. It is the duty of any such user or integrator to perform the appropriate and complete risk analysis, evaluation and testing of the products with respect to the relevant specific application or use thereof. Neither Schneider Electric Industries SAS nor any of its affiliates or subsidiaries shall be responsible or liable for misuse of the information contained herein.

Ordering and shipping details

Category	22375 - INTERFACE MODULE(ABA,R,S)
Discount Schedule	CP2
GTIN	00785901501848
Nbr. of units in pkg.	1
Package weight(Lbs)	0.47000000000000003
Returnability	Y
Country of origin	LV

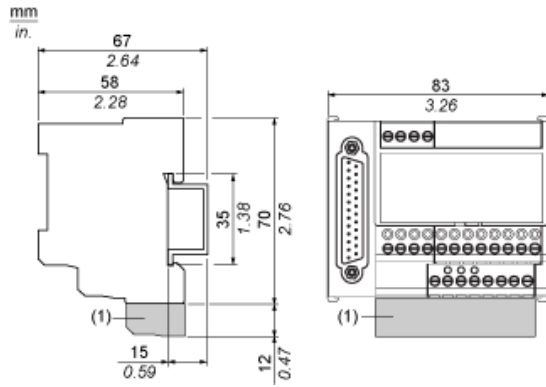
Offer Sustainability

RoHS (date code: YYWW)	Compliant - since 1017 - Schneider Electric declaration of conformity Schneider Electric declaration of conformity
California proposition 65	WARNING: This product can expose you to chemicals including:
----- Substance 1	Lead and lead compounds, which is known to the State of California to cause cancer and birth defects or other reproductive harm.
----- More information	For more information go to www.p65warnings.ca.gov

Contractual warranty

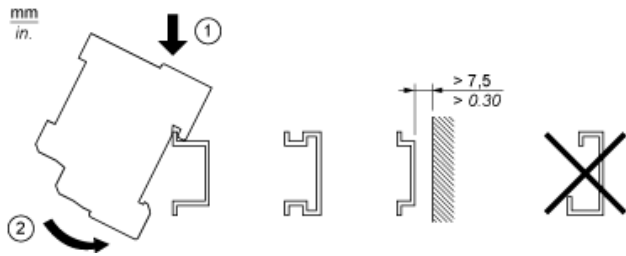
Warranty period	18 months
-----------------	-----------

Dimensions



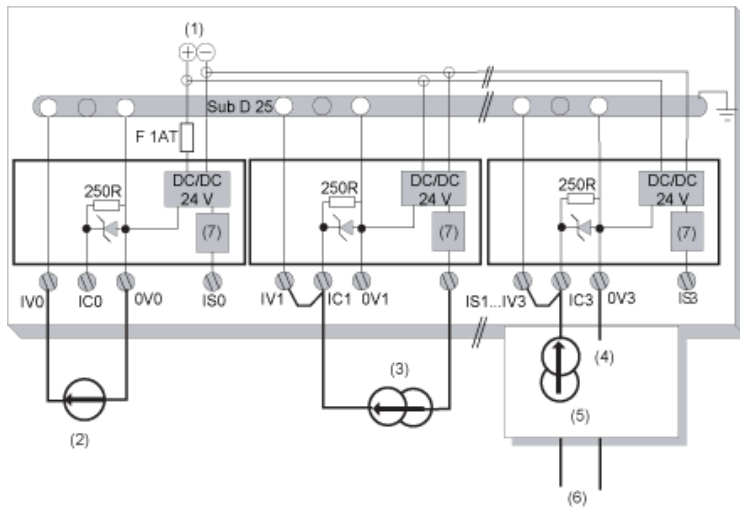
(1) ABE7BV10

Mounting



Wiring Diagram

Channels	SUBD25	Description	Channels	SUBD25	Description
1	/	Earth		/	24 VDC Input
2	/	Earth		/	24 VDC Input
3	/	Earth		/	0V24 Input
4	/	COM 0V0		/	0V24 Input
100		Output IS V0	101	14 (SUBD)	COM 0V0
102		Output IS V1	103	3 (SUBD)	COM 0V1
104		Output IS V2	105	17 (SUBD)	COM 0V2
106		Output IS V3	107	6 (SUBD)	COM 0V3
200	1 (SUBD)	Input IV V0	201		Input IC V0
202	15 (SUBD)	Input IV V1	203		Input IC V1
204	4 (SUBD)	Input IV V2	205		Input IC V2
206	18 (SUBD)	Input IV V3	207		Input IC V3



- (1) 24 V IEC input
- (2) Voltage sensor
- (3) 2-wire current sensor
- (4) 0 V sensor
- (5) 4-wire current sensor
- (6) 4-wire sensor supply
- (7) Protection 25 mA

Mouser Electronics

Authorized Distributor

Click to View Pricing, Inventory, Delivery & Lifecycle Information:

[Schneider Electric:](#)

[ABE7CPA410](#)