

ZBRM22B0

Wireless and batteryless transmitter, Harmony XB5R, plastic, black, 2 doubles action, UP/
DOWN push buttons



Main

Range of Product	Harmony XB5R
Product or Component Type	Wireless and batteryless transmitter
Device short name	XB5R
Contact operation	2 double action UP/DOWN push-buttons
Bezel material	Plastic
Fixing collar material	Plastic
Mounting diameter	0.87 in (22 mm)

Complementary

Kit composition	1 set of caps 1 handy box 2 transmitter 2 push-button head 0.87 in (22 mm) 2 fixing collars
Shape of signaling unit head	Round
Type of operator	Spring return push-button with transmitter
Operator profile	Flush
Operator additional information	Set of caps
Net Weight	0.44 lb(US) (0.2 kg)
Mechanical durability	400000 cycles
Operating travel	0.17 in (4.3 mm) total travel)
Operating force	25 N C/O changing electrical state
Shock resistance	25 gn 6 ms) 6000 shocks IEC 60068-2-27 30 gn 18 ms) half sine wave acceleration IEC 60068-2-27 50 gn 11 ms) half sine wave acceleration IEC 60068-2-27
Mechanical robustness	Free fall resistance 1000 mm EN/IEC 60068-2-32
Communication port protocol	Zigbee green power 2.4 GHz
Maximum sensing distance	328.08 Ft (100 m) in free field 82.02 Ft (25 m) transmitter in the handy box and receiver in a metal enclosure 984.25 ft (300 m) transmitter in the handy box, receiver in metal enclosure and use relay-antenna
Acquisition time	2 ms
Response time	< 2 ms
Emission Power	3 mW

Environment

Ambient Air Temperature for Storage	-40...158 °F (-40...70 °C)
Ambient Air Temperature for Operation	-13...131 °F (-25...55 °C)
IP degree of protection	IP65 IEC 60529 front face) IP65 UL Type 12 front face)
IK degree of protection	IK03 IEC 50102
Relative humidity	95 % 158 °F (70 °C) without condensation
Vibration resistance	5 gn 11...500 Hz)IEC 60068-2-6 +/- 10 mm 2...11 Hz)IEC 60068-2-6

Electromagnetic compatibility	Electrostatic discharge immunity test 8 kV in free air (in insulating parts)) IEC 61000-4-2 Electrostatic discharge immunity test 4 kV on contact (on metal parts)) IEC 61000-4-2 Susceptibility to electromagnetic fields 20 V/m 80...3000 MHz) IEC 61000-4-3 Susceptibility to electromagnetic fields 6 V/m 3000...6000 MHz, distance = 20 m) IEC 61000-4-3
Radio agreement	RSS UL 508 ARIB T66 CSA C22.2 No 14 ICASA ANATEL FCC
Standards	UL 508 CSA C22.2 No 14 EN/IEC 60947-1 EN/IEC 60947-5-1
Product Certifications	BT 2006/95/EC C-tick EAC CSA UL CCC
Directives	2004/108/EC - electromagnetic compatibility 1999/5/EC - R&TTE directive

Ordering and shipping details

Category	22470-XB5R WIRELESS PUSH BUTTON
Discount Schedule	I
GTIN	3606480891106
Returnability	Yes
Country of origin	FR

Packing Units

Unit Type of Package 1	PCE
Number of Units in Package 1	1
Package 1 Height	2.56 in (6.5 cm)
Package 1 Width	2.56 in (6.5 cm)
Package 1 Length	6.42 in (16.3 cm)
Package 1 Weight	8.22 oz (233.0 g)

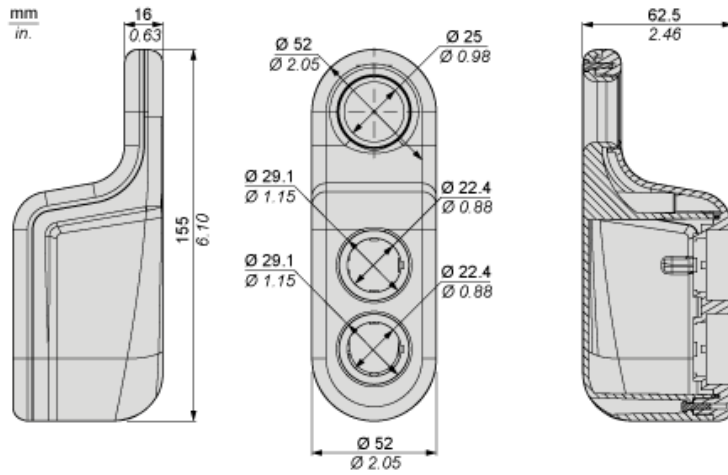
Offer Sustainability

California proposition 65	WARNING: This product can expose you to chemicals including: Lead and lead compounds, which is known to the State of California to cause cancer and birth defects or other reproductive harm. For more information go to www.P65Warnings.ca.gov
REACH Regulation	REACH Declaration
EU RoHS Directive	Pro-active compliance (Product out of EU RoHS legal scope) EU RoHS Declaration
Mercury free	Yes
China RoHS Regulation	China RoHS Declaration
RoHS exemption information	Yes

Dimensions

Wireless and Batteryless Pushbutton

Plastic Mobile Box for Mobile or Fix Use - 2 Functions



Mouser Electronics

Authorized Distributor

Click to View Pricing, Inventory, Delivery & Lifecycle Information:

[Schneider Electric:](#)

[ZBRM22B0](#)