

XY2SB724

Preventa XY2, Two-hand control station with pedestal, orange, 2 push buttons 1 NO + 1 NC, 1 emergency stop push button 2 NC, pre-wired terminal block



Main

Range of product	Preventa XY2
Product or Component Type	Two-hand control station and pedestal
Component name	XY2S
Control station composition	2 push-buttons + 1 emergency stop push-button
Control button type	1 push-button, mushroom, red, 1 NC + 1 NC simultaneous 2 push-buttons
Connections - terminals	Pre-wired terminal block

Complementary

Housing colour	Orange RAL 2008
Cable entry	1 plain hole M25 2 plain holes M20
Mechanical durability	1000000 cycles
Contact code designation	A600 AC-15, Ue = 240 V, Ie = 3 A Q600 DC-13, Ue = 250 V, Ie = 0.27 A EN/IEC 60947-5-1 appendix A
[Ui] rated insulation voltage	600 V 3)EN/IEC 60947-1 600 VUL 508 600 VCSA C22.2 No 14
[Uimp] rated impulse withstand voltage	6 kV EN/IEC 60947-1
Positive opening	With EN/IEC 60947-5-1 appendix K
Short-circuit protection	10 A gG cartridge fuse protection EN/IEC 60269
Electrical durability	1000000 Cycles AC-15 60 cyc/mn 120 V, 3 A 0.5 EN/IEC 60947-5-1 appendix C 1000000 Cycles AC-15 60 cyc/mn 230 V, 2 A 0.5 EN/IEC 60947-5-1 appendix C 1000000 Cycles AC-15 60 cyc/mn 24 V, 4 A 0.5 EN/IEC 60947-5-1 appendix C 1000000 Cycles DC-13 60 cyc/mn 110 V, 0.2 A 0.5 EN/IEC 60947-5-1 appendix C 1000000 cycles DC-13 60 cyc/mn 24 V, 0.5 A 0.5 EN/IEC 60947-5-1 appendix C
Electrical reliability	Failure rate < 0.00000001 17 V, 0.005 A EN/IEC 60947-5-4 Failure rate < 0.000001 5 V, 0.001 A EN/IEC 60947-5-4
Product Weight	37.48 lb(US) (17 kg)

Environment

Standards	EN/IEC 60947-5-1 EN 574 ISO 13851
Protective treatment	TC
Ambient Air Temperature for Operation	-13...158 °F (-25...70 °C)
Ambient Air Temperature for Storage	-40...158 °F (-40...70 °C)
Vibration resistance	5 gn 2...500 Hz)EN/IEC 60068-2-6
Shock resistance	10 gn 11 ms EN/IEC 60068-2-27
Electrical shock protection class	Class I EN/IEC 61140
IP degree of protection	IP65 conforming to EN/IEC 60529

Ordering and shipping details

Category	22411 - LIMIT SWITCHES,IEC,XCKJ
Discount Schedule	T
GTIN	3389110092714
Nbr. of units in pkg.	1
Package weight(Lbs)	41.34 lb(US) (18.75 kg)
Returnability	No
Country of origin	FR

Packing Units

Unit Type of Package 1	PCE
Package 1 Height	15.16 in (38.5 cm)
Package 1 width	18.70 in (47.5 cm)
Package 1 Length	29.92 in (76 cm)
Unit Type of Package 2	P12
Number of Units in Package 2	6
Package 2 Weight	238.17 lb(US) (108.03 kg)
Package 2 Height	50.00 in (127 cm)
Package 2 width	31.50 in (80 cm)
Package 2 Length	47.24 in (120 cm)

Offer Sustainability

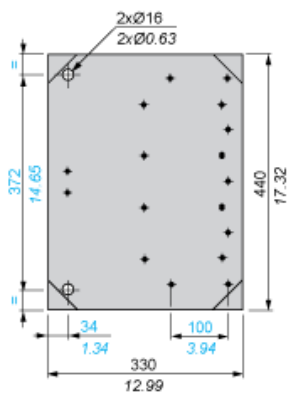
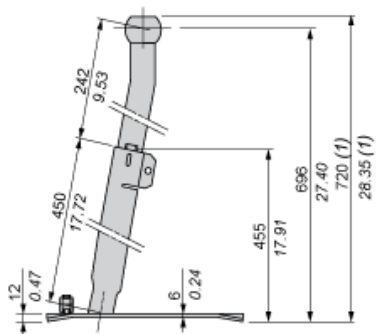
Sustainable offer status	Green Premium product
California proposition 65	WARNING: This product can expose you to chemicals including: Nickel compounds, which is known to the State of California to cause cancer, and Di-isodecyl phthalate (DIDP), which is known to the State of California to cause birth defects or other reproductive harm. For more information go to www.P65Warnings.ca.gov
REACH Regulation	REACH Declaration
EU RoHS Directive	Pro-active compliance (Product out of EU RoHS legal scope) EU RoHS Declaration
Mercury free	Yes
RoHS exemption information	Yes
China RoHS Regulation	China RoHS Declaration
Environmental Disclosure	Product Environmental Profile
WEEE	The product must be disposed on European Union markets following specific waste collection and never end up in rubbish bins.

Contractual warranty

Warranty	18 months
----------	-----------

Dimensions

mm
in.



- (1) Adjustable height of pedestal 720 mm to 1060 mm / 28.30 in. to 41.70 in.

Mouser Electronics

Authorized Distributor

Click to View Pricing, Inventory, Delivery & Lifecycle Information:

[Schneider Electric:](#)

[XY2SB724](#)