

# Product data sheet

## Characteristics

# XZCPV51V3L5

pre-wired connectors XZ - elbowed male - M12  
- 4 pins - cable PVC 5m

Product availability: Non-Stock - Not normally stocked in distribution facility



### Main

Accessory / separate part category	Cabling accessory
Accessory / separate part type	Pre-wired connectors
Series name	General purpose

### Complementary

Electrical connection	M12, 4 pins elbowed male connector
Cable connector fixing	Screw-on
Collar material	Metal
Status LED	Without
Cable length	16.4 ft (5 m)
Cable outer diameter	0.18 in (4.6 mm)
Cable composition	4 x 0.25 mm <sup>2</sup>
Wire insulation material	PVC
System Voltage	250 V AC 300 V DC
Line Rated Current	3 A
Contact resistance	5000 µOhm
Insulating resistance	1 GΩ
Product weight	0.44 lb(US) (0.2 kg)

### Environment

IP degree of protection	IP65 IP67
Product certifications	cULus
Ambient air temperature for operation	-13...176 °F (-25...80 °C) (static)
Ambient air temperature for storage	-13...176 °F (-25...80 °C)

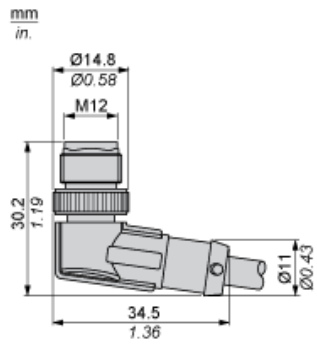
### Ordering and shipping details

Category	22483 - MACHINE CABLES
Discount Schedule	DS3
GTIN	003389119621588
Nbr. of units in pkg.	1
Package weight(Lbs)	0.5999999999999998
Returnability	N
Country of origin	DE

## Offer Sustainability

California proposition 65	WARNING: This product can expose you to chemicals including:
----- Substance 1	Diisononyl phthalate (DINP), which is known to the State of California to cause cancer, and
----- Substance 2	Di-isodecyl phthalate (DIDP), which is known to the State of California to cause birth defects or other reproductive harm.
----- More information	For more information go to <a href="http://www.p65warnings.ca.gov">www.p65warnings.ca.gov</a>

Dimensions

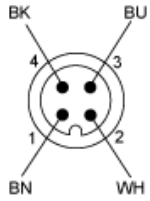


---

## Connections and Schemes

---

### Connector



BN : Brown  
BK : Black  
BU : Blue  
WH : White

# Mouser Electronics

Authorized Distributor

Click to View Pricing, Inventory, Delivery & Lifecycle Information:

[Schneider Electric:](#)

[XZCPV51V3L5](#)