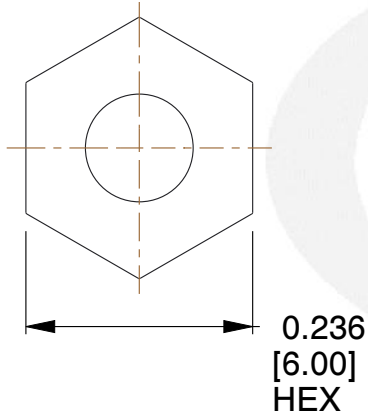
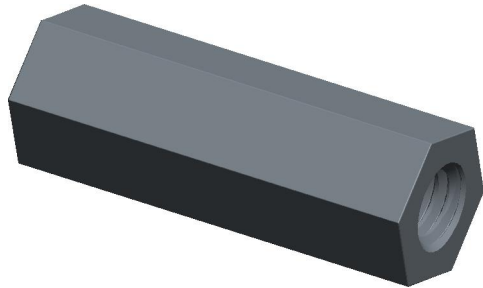
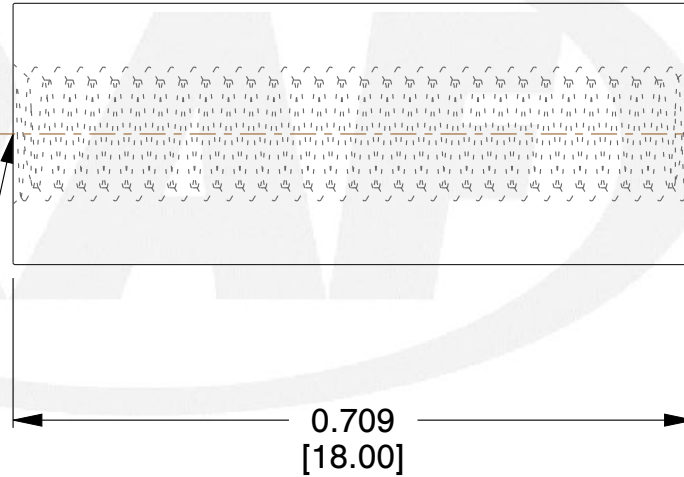


REV	CHANGE	DATE	DRN	CHK
	Drawn	12/28/16	SJ	T




THREAD
M3.5X0.6
THRU



NOTES:

1. Material : Aluminium
2. Finish :
3. ASME Y14.5M - 2009
4. All Drawing Dimensions are in Inches [mm]
5. Unless otherwise specified; Edge Breaks, Radii or Countersinks 0.005-0.015

 <p>95 Silvermine Rd., Seymour CT 06483 Tel: 203-888-2133, Fax: 203-888-9860</p>	<p>This Drawing is the Property of RAF. It contains confidential, proprietary information that is RAF property. Do not disclose to or duplicate for others except as authorized by RAF.</p>	<p><u>TOLERANCES</u> ALL DIMENSIONS ARE INCHES (UNLESS OTHERWISE SPECIFIED) <u>METALLIC</u> LENGTHS <= 6 INCHES ± 0.005 LENGTH > 6 INCHES ± 0.010 DIAMETERS: ± 0.005 <u>NON-METALLIC</u> LENGTH: ± 0.010 DIAMETERS: ± 0.010 <u>INTERNAL THREADS:</u> MINIMUM THREAD DEPTH</p>	COMPONENT	STANDOFFS	
			<p>M1315-3506-AL</p> <p>6 MM HEX FEMALE STANDOFFS</p>		SCALE
					5.00
			<p>1 of 1</p>		SHEET

Mouser Electronics

Authorized Distributor

Click to View Pricing, Inventory, Delivery & Lifecycle Information:

[RAF Electronic Hardware:](#)

[M1315-3506-AL](#)