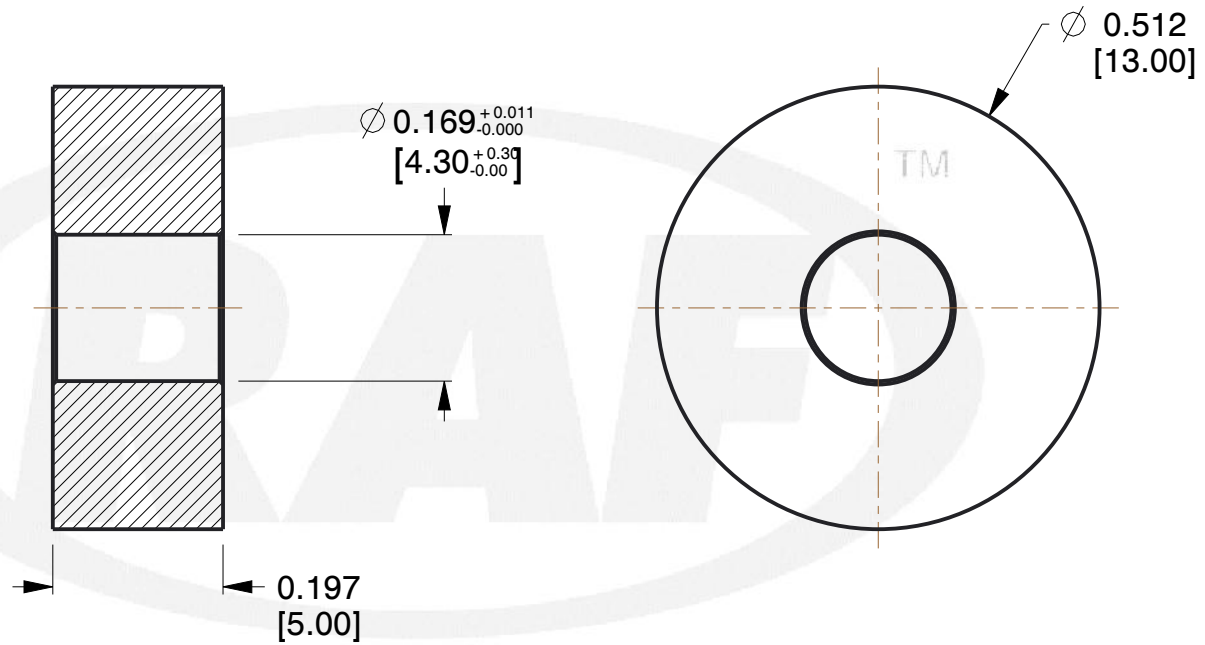



REV	CHANGE	DATE	DRN	CHK
	Drawn	02/06/17	SJ	T



**NOTES:**

1. Material : Nylon
2. Finish :
3. ASME Y14.5M - 2009
4. All Drawing Dimensions are in Inches [mm]
5. Unless otherwise specified; Edge Breaks, Radii or Countersinks 0.005-0.015

 <p>95 Silvermine Rd., Seymour CT 06483 Tel: 203-888-2133, Fax: 203-888-9860</p>	<p>This Drawing is the Property of RAF. It contains confidential, proprietary information that is RAF property. Do not disclose to or duplicate for others except as authorized by RAF.</p>	<p><b>TOLERANCES</b> ALL DIMENSIONS ARE INCHES (UNLESS OTHERWISE SPECIFIED) <b>METALLIC</b> LENGTHS &lt;math&gt;&lt; i&gt;f = 6&lt;/i&gt; INCHES <math>\pm 0.005&lt;/math&gt; LENGTH &gt; 6 INCHES <math>\pm 0.010&lt;/math&gt; DIAMETERS: <math>\pm 0.005&lt;/math&gt; <b>NON-METALLIC</b> LENGTH: <math>\pm 0.010&lt;/math&gt; DIAMETERS: <math>\pm 0.010&lt;/math&gt; <b>INTERNAL THREADS:</b> MINIMUM THREAD DEPTH</math></math></math></math></math></p>	COMPONENT	SPACERS	
			M0714-4-N		SCALE
			13MM ROUND SPACERS		SHEET
					1 of 1

# Mouser Electronics

Authorized Distributor

Click to View Pricing, Inventory, Delivery & Lifecycle Information:

[RAF Electronic Hardware:](#)

[M0714-4-N](#)