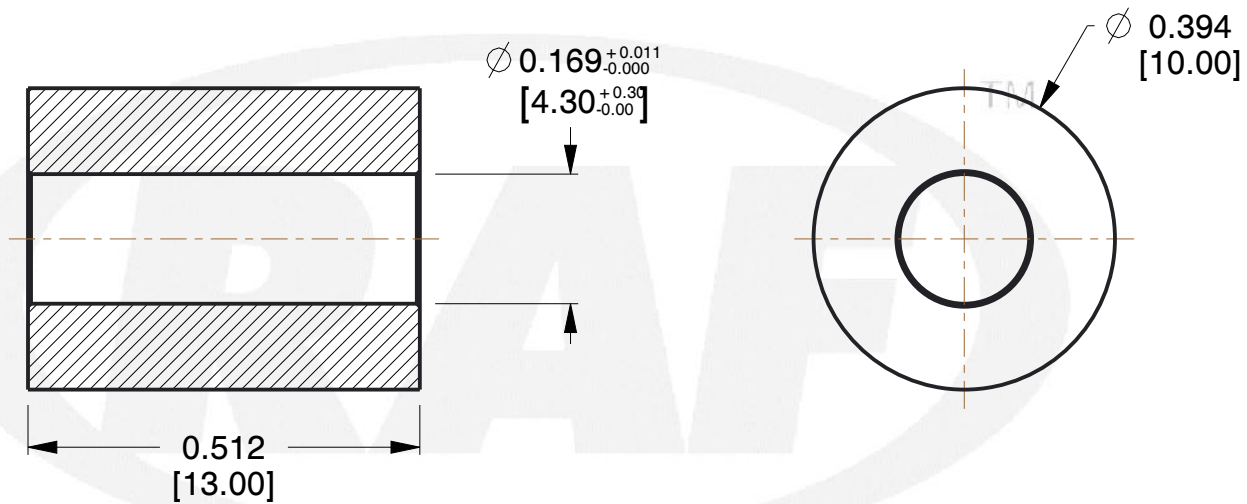
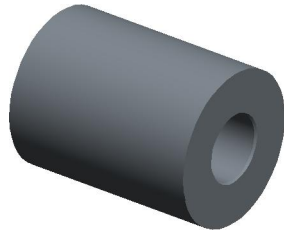



REV	CHANGE	DATE	DRN	CHK
	Drawn	02/06/17	SJ	T



**NOTES:**

1. Material : Stainless Steel
2. Finish :
3. ASME Y14.5M - 2009
4. All Drawing Dimensions are in Inches [mm]
5. Unless otherwise specified; Edge Breaks, Radii or Countersinks 0.005-0.015

 <p>95 Silvermine Rd., Seymour CT 06483 Tel: 203-888-2133, Fax: 203-888-9860</p>	<p>This Drawing is the Property of RAF. It contains confidential, proprietary information that is RAF property. Do not disclose to or duplicate for others except as authorized by RAF.</p>	<p><b>TOLERANCES</b> ALL DIMENSIONS ARE INCHES (UNLESS OTHERWISE SPECIFIED) <b>METALLIC</b> LENGTHS &lt;math&gt;&lt; /math&gt;: 6 INCHES <math>\pm</math> 0.005 LENGTH &gt;: 6 INCHES <math>\pm</math> 0.010 DIAMETERS: <math>\pm</math> 0.005 <b>NON-METALLIC</b> LENGTH: <math>\pm</math> 0.010 DIAMETERS: <math>\pm</math> 0.010 <b>INTERNAL THREADS:</b> MINIMUM THREAD DEPTH</p>	COMPONENT	SPACERS	
			M0662-4-SS		SCALE
			10MM ROUND SPACERS		3.99
					SHEET
			1 of 1		

# Mouser Electronics

Authorized Distributor

Click to View Pricing, Inventory, Delivery & Lifecycle Information:

[RAF Electronic Hardware:](#)

[M0662-4-SS](#)