



Features:

- Motor: Brushless DC
- Motor Protection: IC
- Bearing Type: Two Ball, Sleeve, or Hydro Dynamic
- Connection: UL 1007 AWG 24, 280mm Wire Leads
- Frame Material: Plastic UL94V-0, or Aluminum
- Impeller Material: Plastic UL94V-0
- Operating Temp:
 - Two Ball: -10°C~70°C
 - Sleeve: -10°C~60°C
 - Hydro Dynamic: -10°C~70°C
- Life Expectancy:
 - Two Ball: 70,000 Hours
 - Sleeve: 30,000 Hours
 - Hydro Dynamic: 50,000 Hours



Fan-S Division

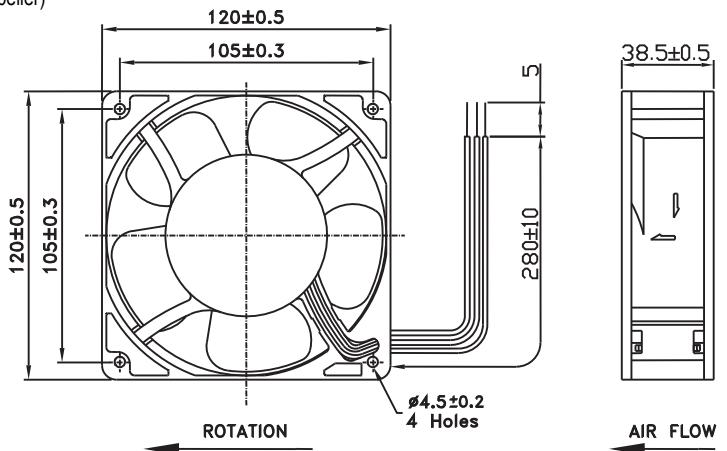
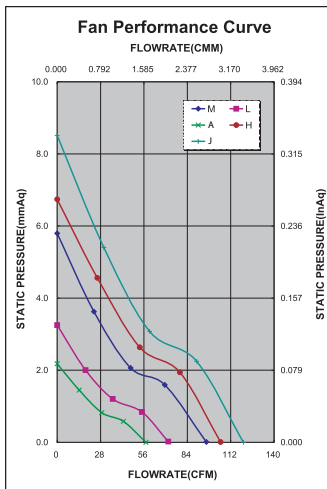


Model No.	Volt.	Current	Power	Rated Speed	Maximum AirFlow		Maximum Static Pressure		Noise Level	Weight
	(VDC)	(A)	(W)	(rpm)	(CMM)	(CFM)	(InAq)	(mmAq)	(dB/A)	(g)
FAD1-12038C * AW **2	12	0.12	1.44	1500	1.621	57.292	0.085	2.159	28.4	235/297
FAD1-12038C * LW **2	12	0.22	2.64	1950	2.027	71.635	0.128	3.251	36.2	235/297
FAD1-12038C * MW**2	12	0.34	4.08	2540	2.725	96.300	0.228	5.791	45.0	235/297
FAD1-12038C * HW**2	12	0.39	4.68	2800	2.984	105.461	0.265	6.731	46.7	235/297
FAD1-12038C * JW **2	12	0.62	7.44	3200	3.399	120.109	0.335	8.509	48.0	235/297
FAD1-12038D * AW **2	24	0.07	1.68	1500	1.621	57.292	0.085	2.159	28.4	235/297
FAD1-12038D * LW **2	24	0.10	2.40	1950	2.027	71.635	0.128	3.251	36.2	235/297
FAD1-12038D * MW**2	24	0.20	4.80	2540	2.725	96.300	0.228	5.791	45.0	235/297
FAD1-12038D * HW**2	24	0.26	6.24	2800	2.984	105.461	0.265	6.731	46.7	235/297
FAD1-12038D * JW **2	24	0.38	9.12	3200	3.399	120.109	0.335	8.509	48.0	235/297
FAD1-12038E * LW **2	48	0.09	4.32	1950	2.027	71.635	0.128	3.251	36.2	235/297
FAD1-12038E * MW**2	48	0.13	6.24	2540	2.725	96.300	0.228	5.791	45.0	235/297
FAD1-12038E * HW**2	48	0.18	8.64	2800	2.984	105.461	0.265	6.731	46.7	235/297
FAD1-12038E * JW **2	48	0.22	10.56	3200	3.399	120.109	0.335	8.509	48.0	235/297

* Indicates "B" (Ball Bearing), "S" (Sleeve), or "H" (Hydro Dynamic)

Noise is measured at the distance of one (1) meter from the axis of intake.

** Indicates "1" (Plastic Frame and Plastic Impeller) or "3" (Aluminum Frame and Plastic Impeller)



Mouser Electronics

Authorized Distributor

Click to View Pricing, Inventory, Delivery & Lifecycle Information:

[Qualtek:](#)

[FAD1-12038DBHW12-01](#)