

TABS USED TO MOUNT LIGHT PIPE

Qty per:	Tray	Carton		
	45	900		
PART NUMBER : SFPPCAGE011-L				
No.	DESCRIPTION	Q'ty	MATERIAL	PLATING
01	CAGE TOP	1	COPPER ALLOY	Nickel
02	CAGE BOTTOM	1	COPPER ALLOY	Nickel

MM (INCH)
 TOLERANCES EXCEPT AS NOTED
 MM ± .02
 .00 ± 0.15
 .000 ± 0.075
 ANGLES ± 0.5
 THIRD ANGLE PROJECTION

RoHS Compliant

Pulse
A TECHNITROL COMPANY

TITLE
SFP+ CAGE 1 BY 1,PRESS-FIT,FOR PCI

DFTO Peter
DATE 07/22/08

DRAWING NO. SFPPCAGE011-L
/PART NO.

SCALE : 1:1

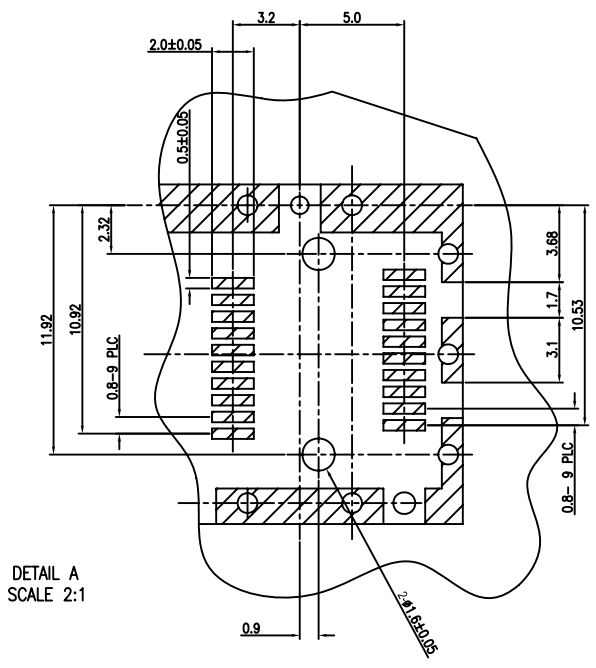
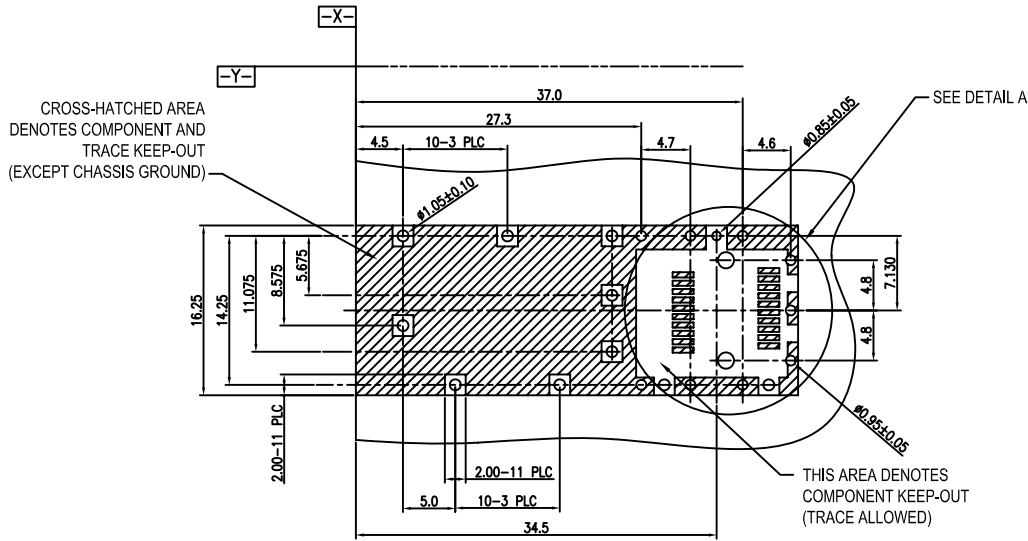
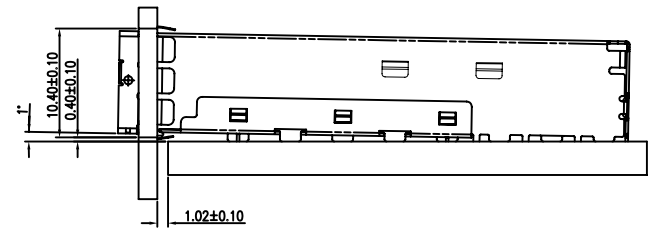
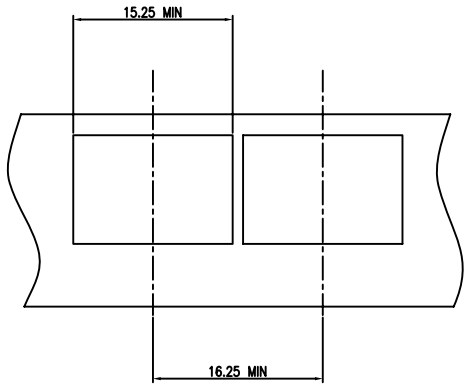
DO NOT SCALE DRAWING

SHEET 1 OF 2

SIZE A3
REV R9

H
G
F
E
D
C
B
A

8 | 7 | 6 | 5 | 4 | 3 | 2 | 1



H
G
F
E
D
C
B
A

8

7

6

5

4

3

2

1

DETACHED LISTS	MM (INCH)	RoHS Compliant					
	TOLERANCES EXCEPT AS NOTED						
	MM		TITLE SFP+ CAGE 1 BY 1,PRESS-FIT,FOR PCI				
	.0 ± 0.2	±					
.00 ± 0.15	±	DFTO Peter		DRAWING NO. SFPPCAGE011-L		SIZE	REV
.000 ± 0.075	±	DATE 07/22/08		/PART NO.		A3	R9
ANGLES ± 0.5		SCALE : 1:1		DO NOT SCALE DRAWING		SHEET 2	OF 2
THIRD ANGLE PROJECTION							

Mouser Electronics

Authorized Distributor

Click to View Pricing, Inventory, Delivery & Lifecycle Information:

Pulse:

[SFPPCAGE011-L](#)