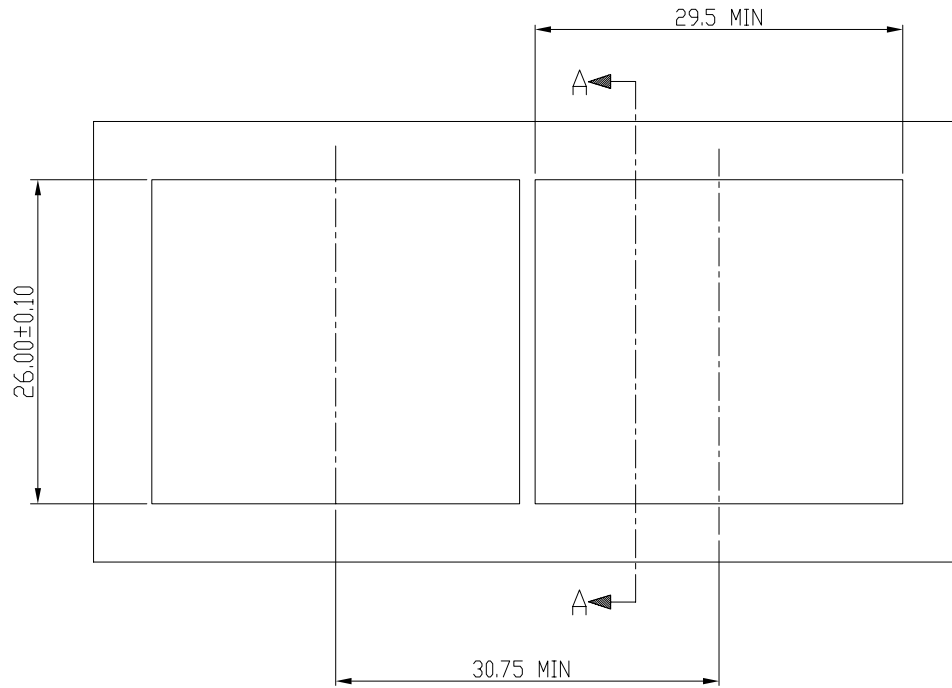


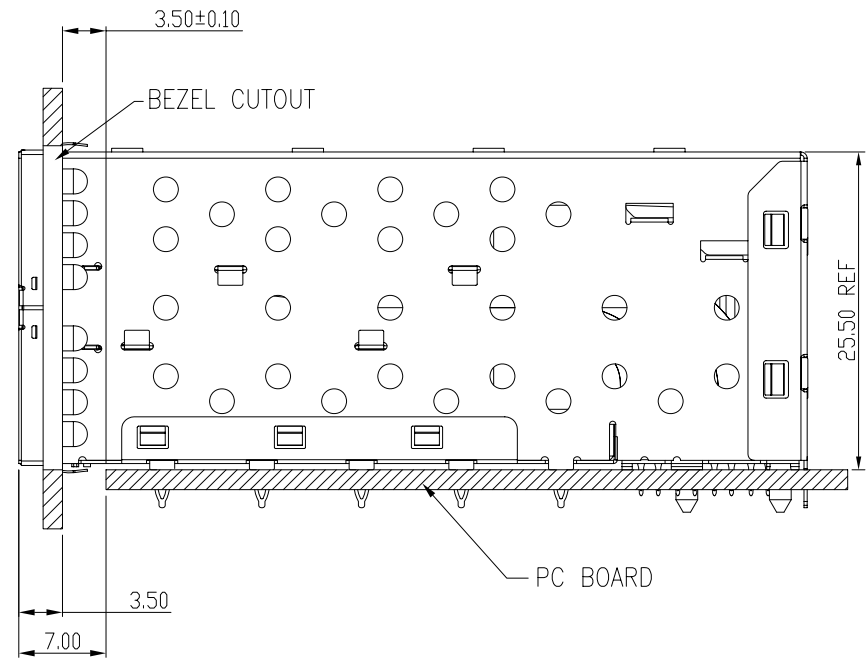
Qty Per:	TRAY	CARTON		
	12	72		
PART NUMBER	STATEMENT			
SFPP-3133-L				
No.	DESCRIPTION	Q'ty	MATERIAL	PLATING
01	SFP CAGE (Non-Logo)	1	COPPER ALLOY	
02	CONNECTOR	2	HIGH TEMP/COPPER ALLOY	GOLD
03	EMI TAB	2	COPPER ALLOY	

DETACHED LISTS	MM (INCH)	RoHS Compliant				
	TOLERANCES EXCEPT AS NOTED	TITLE				W/EMI TAB
	MM .0 ± 0.25 ± .00 ± 0.2 ± .000 ± 0.10 ±	SFP PLUS 2 BY 2 CAGE+CONNECTOR_P				
	ANGLES ± 0.5	DFTD Jack	DRAWING NO. CSFPP-3133-L	SIZE	REV	
	DATE 3/08/10'	/PART NO. SFPP-3133-L	A3	0		
THIRD ANGLE PROJECTION	SCALE : 2:1	DO NOT SCALE DRAWING	SHEET 1	OF 4		

8 7 6 5 4 3 2 1



BEZEL CUT-OUT CENTER SPACING DETAIL
 BEZEL THICKNESS:0.8-2.6



DETACHED LISTS	MM (INCH)		RoHS Compliant			
	TOLERANCES EXCEPT AS NOTED		W/EMI TAB			
	MM		TITLE			
	.0 ± 0.25	±	SFP 2 BY 2 CAGE+CONNECTOR_P			
.00 ± 0.2	±	DFTD Jack		DRAWING NO. CSFPP-3133-L		SIZE
.000 ± 0.10	±	DATE 3/08/10'		/PART NO. SFPP-3133-L		REV
ANGLES ± 0.5		SCALE : 2:1		DO NOT SCALE DRAWING		SHEET 2 OF 4
 THIRD ANGLE PROJECTION						A3 0

8

7

6

5

4

3

2

1

H

G

F

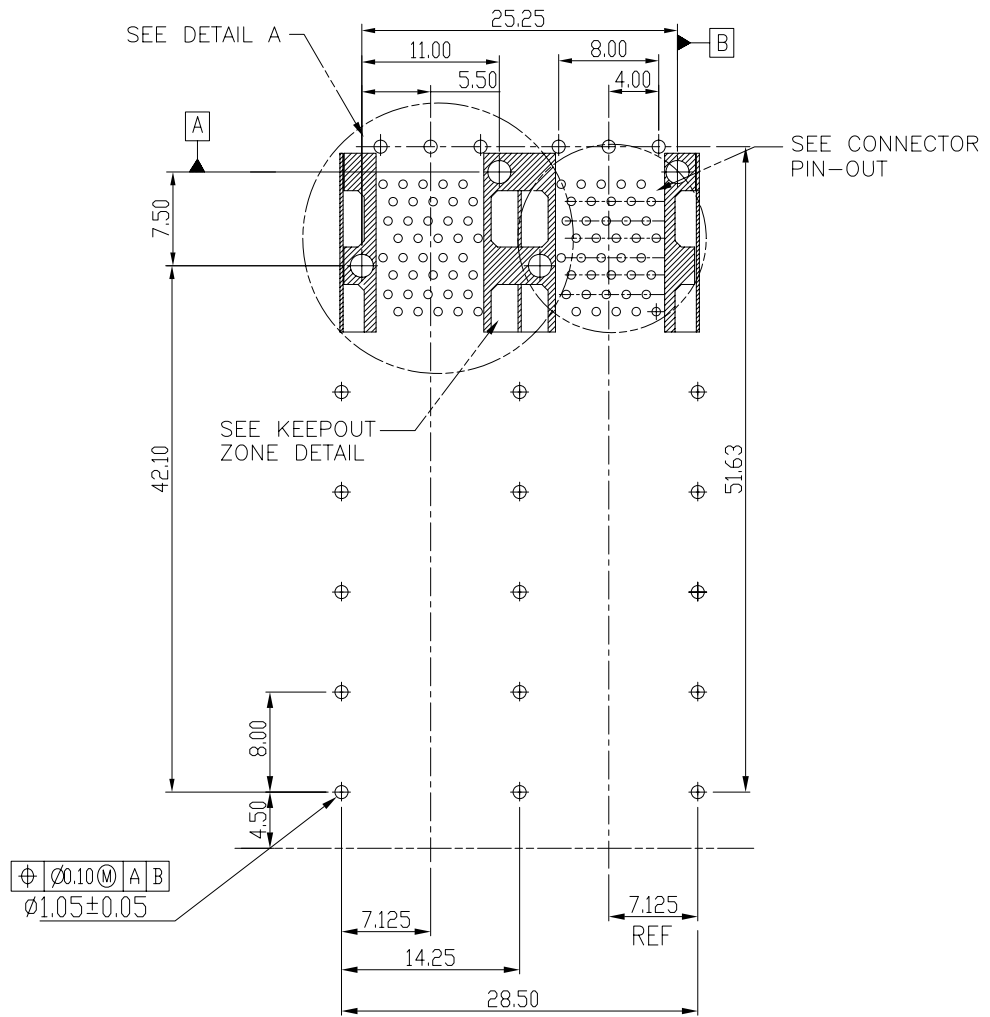
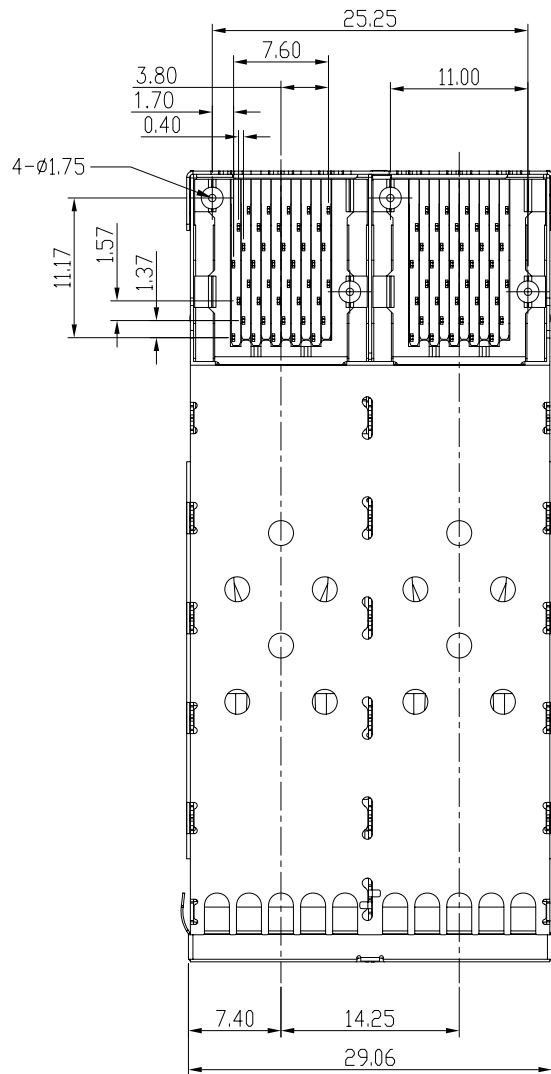
E

D

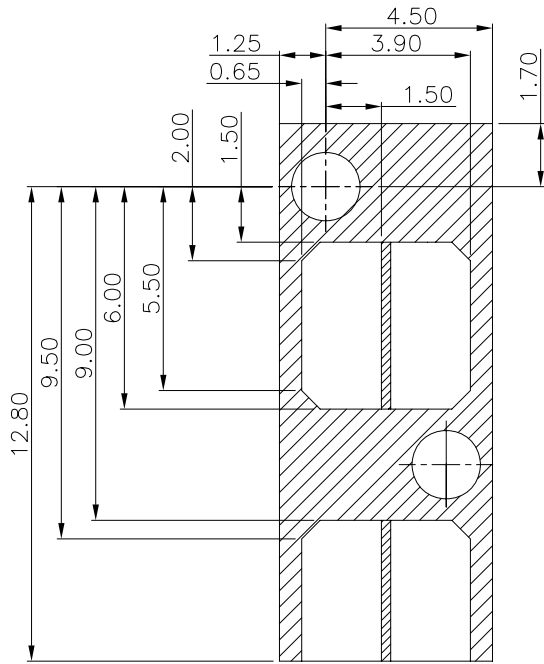
C

B

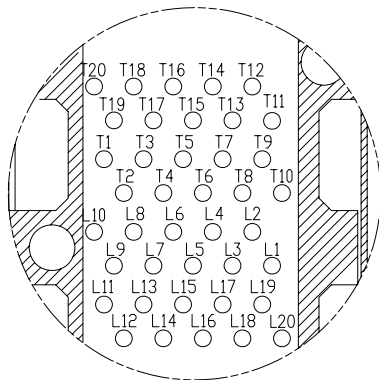
A



MM (INCH)		RoHS Compliant			
TOLERANCES EXCEPT AS NOTED		TITLE SFP 2 BY 2 CAGE+CONNECTOR_P			
DETACHED LISTS		W/EMI TAB		SIZE A3	
MM .0 ± 0.25 .00 ± 0.2 .000 ± 0.10	± ± ±	DFTD Jack DATE 3/08/10'		DRAWING NO. CSFPP-3133-L /PART NO. SFPP-3133-L	REV 0
ANGLES ± 0.5		SCALE : 2:1		DO NOT SCALE DRAWING	
		SHEET 3		OF 4	

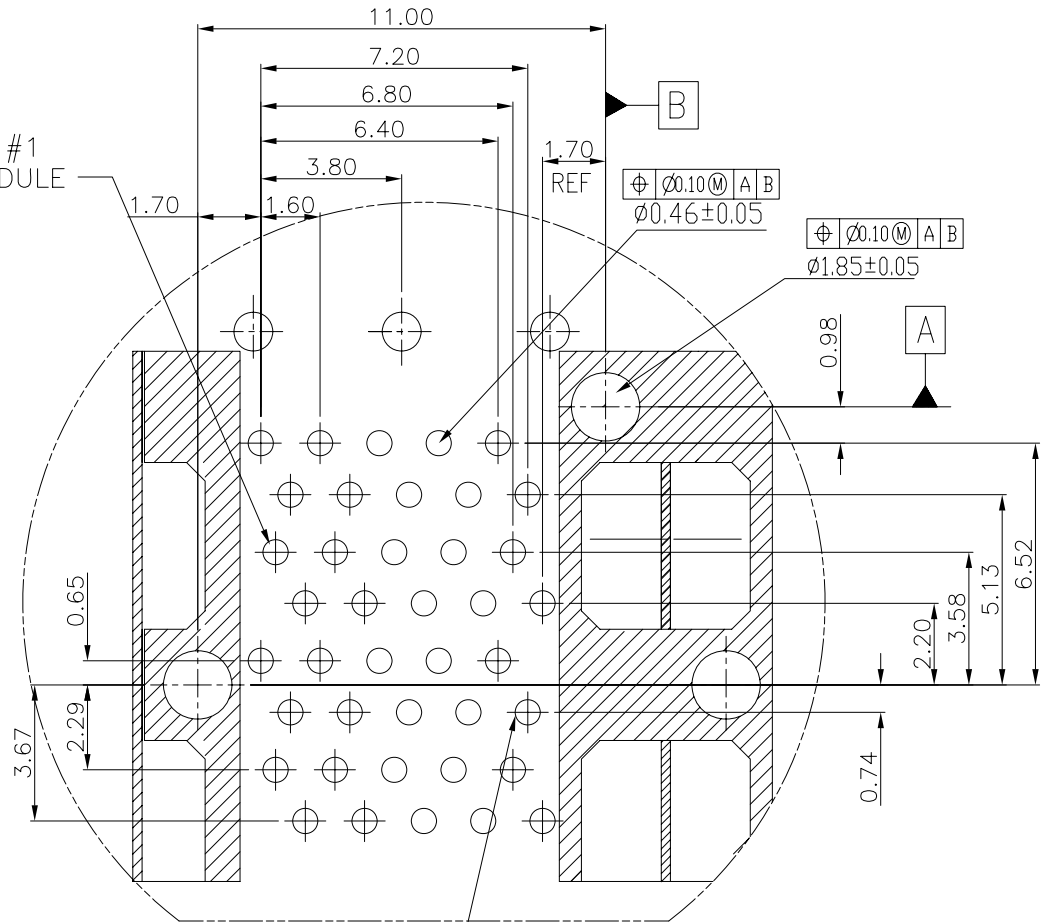


KEEPOUT ZONE DETAIL
SCALE 6:1



CONNECTOR PIN-OUT
COMPONENT SIDE OF BOARD

CIRCUIT #1
TOP MODULE



CIRCUIT #1
BOTTOM MODULE

DETAIL A
SCALE 6:1

DETACHED LISTS	← MM (INCH) →	RoHS Compliant				
	TOLERANCES EXCEPT AS NOTED		W/EMI TAB			
	MM	±	TITLE SFP 2 BY 2 CAGE+CONNECTOR_P			
	.0 ± 0.25 .00 ± 0.2 .000 ± 0.10	± ± ±	DFTD Jack DATE 3/08/10'		DRAWING NO. CSFPP-3133-L /PART NO. SFPP-3133-L	
ANGLES ± 0.5		SCALE : 2:1		DO NOT SCALE DRAWING	SHEET 4 OF 4	
		THIRD ANGLE PROJECTION		SIZE A3	REV 0	

Mouser Electronics

Authorized Distributor

Click to View Pricing, Inventory, Delivery & Lifecycle Information:

Pulse:

[SFPP-3133-L](#)