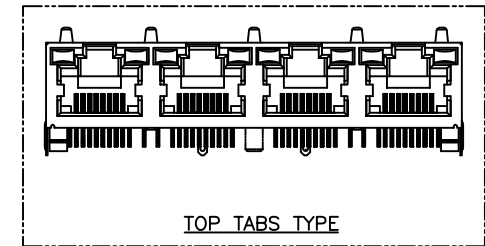
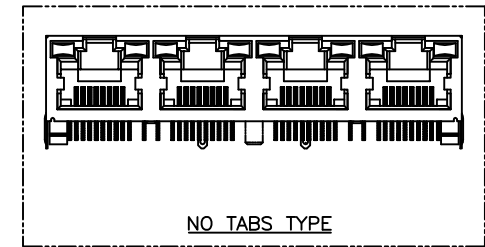
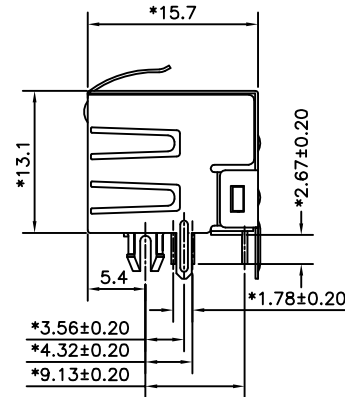
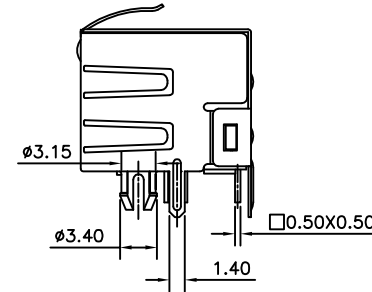
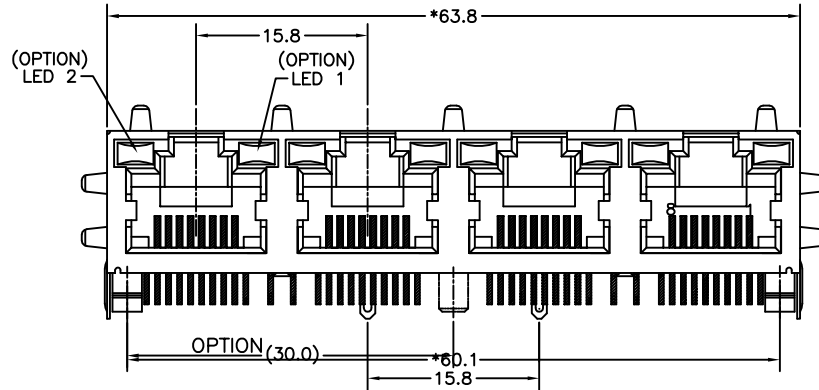


PC Board Layout t=1.60mm  
Component Side Shown Tolerance±0.05mm



**NOTES:**

**ELECTRICAL:**

1. VOLTAGE RATING : 125 VAC RMS.
2. CURRENT RATING : 1.5 AMP.
3. CONTACT RESISTANCE : 30 MILLIOHMS MAX.
4. INSULATION RESISTANCE: 1000 MEGOHMS MIN @ 500 VDC.
5. DIELECTRIC STRENGTH : 1000 VAC RMS 60Hz, 1MIN.
6. LED RATINGS: FORWARD VOLTAGE: 2.2 VOLTS TYPICAL.  
REVERSE VOLTAGE: 5 VOLTS MAXIMUM
7. OPERATING: 750 CYCLES MIN.

**MECHANICAL:**

1. HOUSING MATERIAL : GLASS FILLED NYLON UL94V-0. COLOR-BLACK.
2. INSERT MATERIAL : GLASS FILLED NYLON UL94V-0. COLOR-BLACK.
3. BACK PLATE MATERIAL : GLASS FILLED NYLON UL94V-0. COLOR-BLACK.
4. LED SIZE : 3.2x2.0x7.0xP=2.54mm.
5. SHIELD MATERIAL : COPPER ALLOY 0.25mm THICKNESS PLATING NI.
6. CONTACT MATERIAL : PHOSPHOR BRONZE t=0.35mm THICKNESS .
7. PLATING : CONTACT AREA-SELECTIVE GOLD PLATING.  
TAILS-TIN 150u" MIN OVER NICKEL.
8. PCB RETENTION PRE-SOLDER : 1 LB MIN.
9. PCB RETENTION POST-SOLDER: 10 LBS MIN.

**ENVIRONMENTAL:**

1. STORAGE TEMPERATURE : -40°C TO +85°C.
  2. OPERATION TEMPERATURE : -40°C TO +85°C.
  3. WAVE SOLDERING TEMPERATURE: 255~265°C (5~10 SECONDS)
  4. RoHS COMPLIANT.
- MATES WITH MODULAR PLUG CONFORMING TO FCC PART 68, SUBPART F.

PART NUMBER	LED COLOR		CONTACT	GOLD PLATING
	LED 1	LED 2		
E5J88-11CJ22-L	GREEN	YELLOW	NO TAB	6u"
E5J88-11CJ25-L	GREEN	YELLOW	NO TAB	50u"
E5J88-14CJ22-L	GREEN	YELLOW	TOP TABS &SIDE TABS	6u"
E5J88-14CJ25-L	GREEN	YELLOW	TOP TABS &SIDE TABS	50u"
E5J88-22CJ24-L	GREEN	GREEN	TOP TABS	30u"
E5J88-24CJ25-L	GREEN	GREEN	TOP TABS &SIDE TABS	50u"
E5J88-34CJ22-L	YELLOW	GREEN	TOP TABS &SIDE TABS	6u"
E5J88-34CJ24-L	YELLOW	GREEN	TOP TABS &SIDE TABS	30u"

		<b>RoHS Compliant</b>			
TOLERANCES EXCEPT AS NOTED MM (INCH) .0 ± 0.2 ± .00 ± 0.15 ± .000 ± 0.075 ± ANGLES ± 0.5		TITLE <b>RJ45 SIDE ENTRY LED GANG JACK 4 PORTS</b>			
DFTO Cathy DATE 2006/10/05		DRAWING NO. CE5J3128 /PART NO. SEE TABLE		SIZE <b>A3</b>	REV <b>0</b>
SCALE : 2:1		DO NOT SCALE DRAWING		SHEET 1	OF 1

# Mouser Electronics

Authorized Distributor

Click to View Pricing, Inventory, Delivery & Lifecycle Information:

Pulse:

[E5J88-14CJ25-L](#)