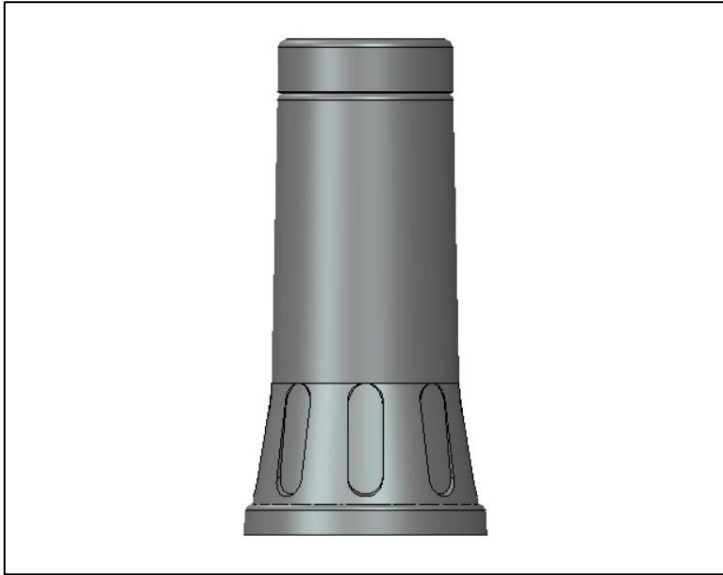


Description: LPT 450-512MHz Antenna

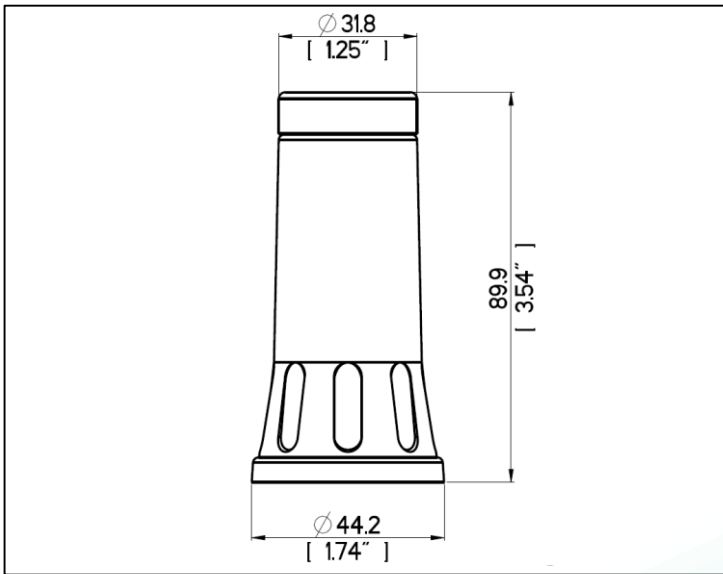
Series: LPT Antenna

PART NUMBER: LPT450/512NMO



Features:

- Wide Bandwidth
 - Support wider BW modern radios
- Excellent Gain
- Excellent VSWR
 - 2:1 at 450-512Mhz
 - 2.3:1 at 450-520Mhz
- Low Profile (3.5 “ tall)
- NMO Mount



Applications:

- Public Safety
 - Police
 - Fire
 - Ambulance
- Most Demanding Applications:
 - High Gain (4.6 dBi peak)
- Dealers seeking fewer stocking SKUs.

All dimensions are in mm / inches

Issue: 1627

In the effort to improve our products, we reserve the right to make changes judged to be necessary.

CONFIDENTIAL AND PROPRIETARY INFORMATION

This document contains confidential and proprietary information of Pulse Electronics, Inc. (Pulse) and is protected by copyright, trade secret and other state and federal laws. Its receipt or possession does not convey any rights to reproduce, disclose its contents, or to manufacture, use or sell anything it may describe. Reproduction, disclosure or use without specific written authorization of Pulse is strictly forbidden.

For more information:

Pulse Worldwide Headquarters
12220 World Trade Drive
San Diego, CA 92128
USA
Tel:1-858-674-8100

Pulse/Larsen Antennas
3611 NE 112th Ave
Vancouver, WA 98682
USA
Tel: 1-360-944-7551

Europe Headquarters
Pulse GmbH & Do, KG
Zeppelinstrasse 15
Herrenberg, Germany
Tel: 49 7032 7806 0

Pulse (Suzhou) Wireless Products Co, Inc.
99 Huo Ju Road(#29 Bldg,4th Phase
Suzhou New District
Jiangsu Province, Suzhou 215009 PR China
Tel: 86 512 6807 9998



Description: LPT 450-512MHz Antenna**Series: LPT Antenna****PART NUMBER: LPT450/512NMO****ELECTRICAL SPECIFICATIONS**

Antenna type	Monopole, Measured on Ø1.3M (Ø51”) ground plane
Frequency	450-512 MHz
Nominal Impedance	50 Ω
VSWR	2:1
Gain	4.6 dBi
HPBW / H-Plane	360°
HPBW / E-Plane	40°
Polarization	Vertical
Power withstanding	100 W
E.S.D. Protection	DC Grounded
Connector type	NMO

Issue: 1627

In the effort to improve our products, we reserve the right to make changes judged to be necessary.

CONFIDENTIAL AND PROPRIETARY INFORMATION

This document contains confidential and proprietary information of Pulse Electronics, Inc. (Pulse) and is protected by copyright, trade secret and other state and federal laws. Its receipt or possession does not convey any rights to reproduce, disclose its contents, or to manufacture, use or sell anything it may describe. Reproduction, disclosure or use without specific written authorization of Pulse is strictly forbidden.

Description: LPT 450-512MHz Antenna**Series: LPT Antenna****PART NUMBER: LPT450/512NMO****MECHANICAL SPECIFICATIONS**

Plastic radome	MACROBLEND
Color	BLACK
Ingress Protection	IP67
Weight	105 g
Overall Length	89.9 mm
Fixing system	NMO Mount Required

ENVIRONMENTAL SPECIFICATIONS

Operating temperature	-40 ~ +85° C
-----------------------	--------------

Issue: 1627

In the effort to improve our products, we reserve the right to make changes judged to be necessary.

CONFIDENTIAL AND PROPRIETARY INFORMATION

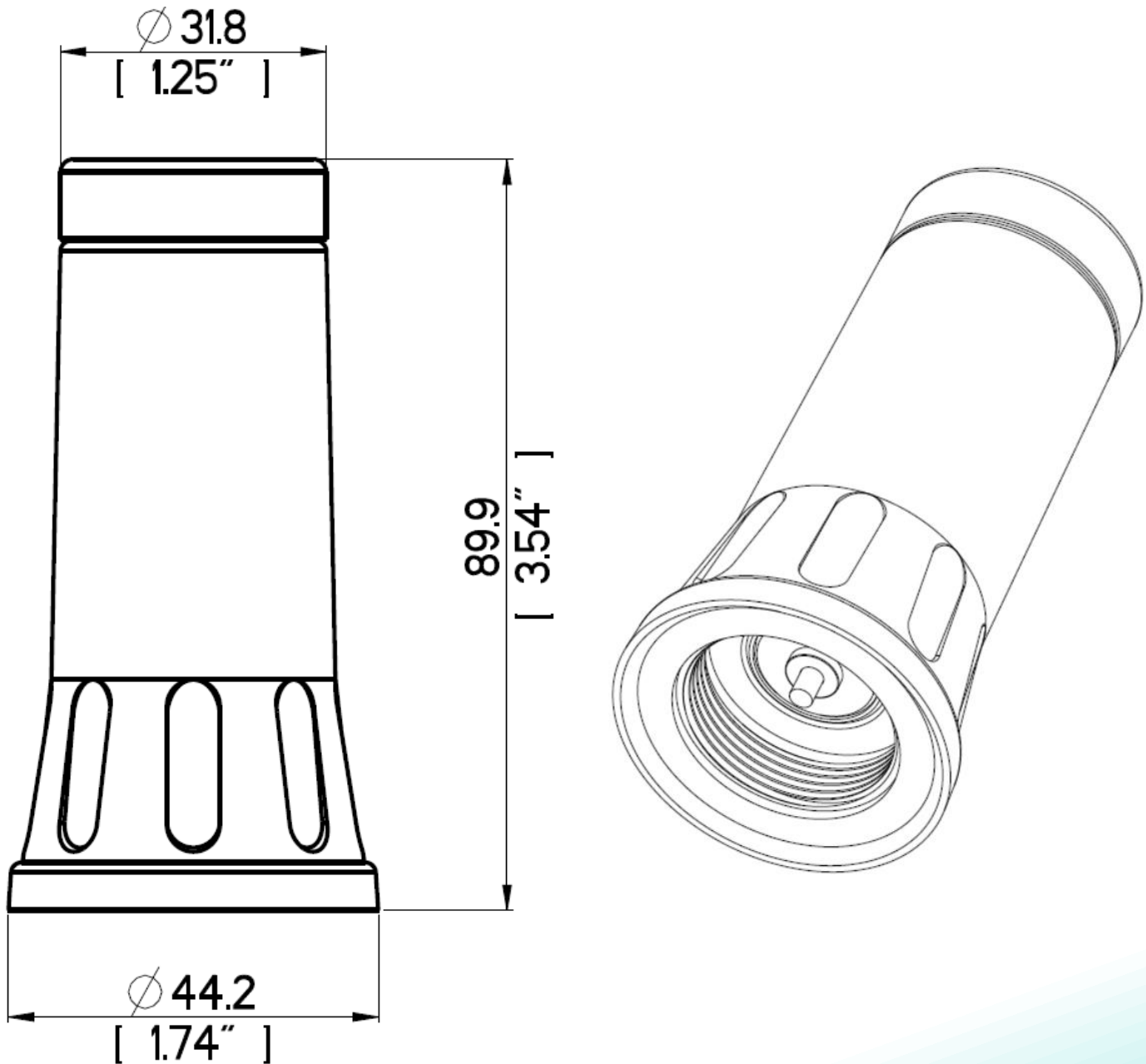
This document contains confidential and proprietary information of Pulse Electronics, Inc. (Pulse) and is protected by copyright, trade secret and other state and federal laws. Its receipt or possession does not convey any rights to reproduce, disclose its contents, or to manufacture, use or sell anything it may describe. Reproduction, disclosure or use without specific written authorization of Pulse is strictly forbidden.

Description: LPT 450-512MHz Antenna

Series: LPT Antenna

PART NUMBER: LPT450/512NMO

MECHANICAL DRAWING



Issue: 1627

In the effort to improve our products, we reserve the right to make changes judged to be necessary.

CONFIDENTIAL AND PROPRIETARY INFORMATION

This document contains confidential and proprietary information of Pulse Electronics, Inc. (Pulse) and is protected by copyright, trade secret and other state and federal laws. Its receipt or possession does not convey any rights to reproduce, disclose its contents, or to manufacture, use or sell anything it may describe. Reproduction, disclosure or use without specific written authorization of Pulse is strictly forbidden.

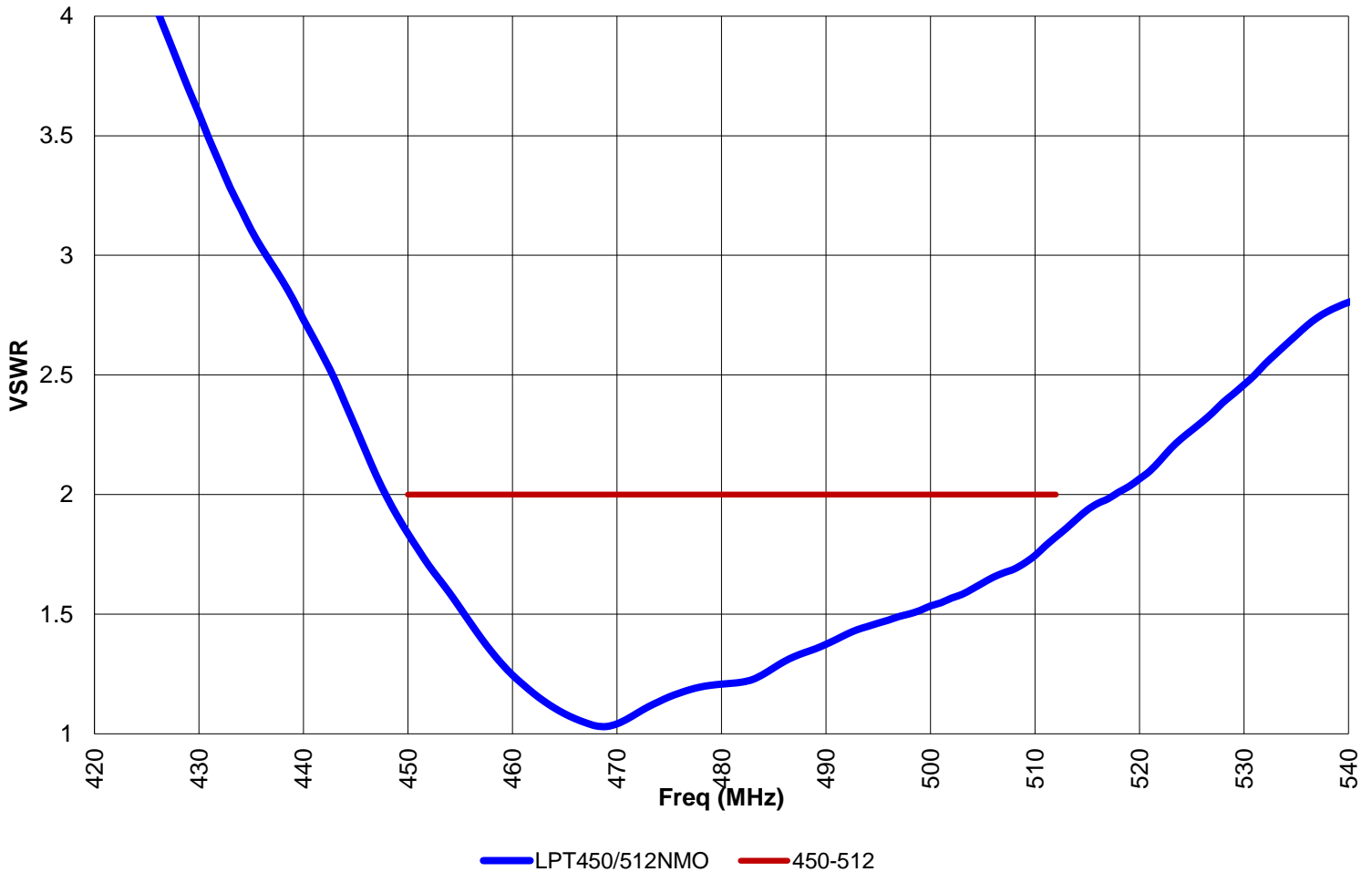
Description: LPT 450-512MHz Antenna

Series: LPT Antenna

PART NUMBER: LPT450/512NMO

CHARTS

S11 Parameter Ø51" GROUND PLANE, CAL AT ANTENNA



Issue: 1627

In the effort to improve our products, we reserve the right to make changes judged to be necessary.

CONFIDENTIAL AND PROPRIETARY INFORMATION

This document contains confidential and proprietary information of Pulse Electronics, Inc. (Pulse) and is protected by copyright, trade secret and other state and federal laws. Its receipt or possession does not convey any rights to reproduce, disclose its contents, or to manufacture, use or sell anything it may describe. Reproduction, disclosure or use without specific written authorization of Pulse is strictly forbidden.

Description: LPT 450-512MHz Antenna

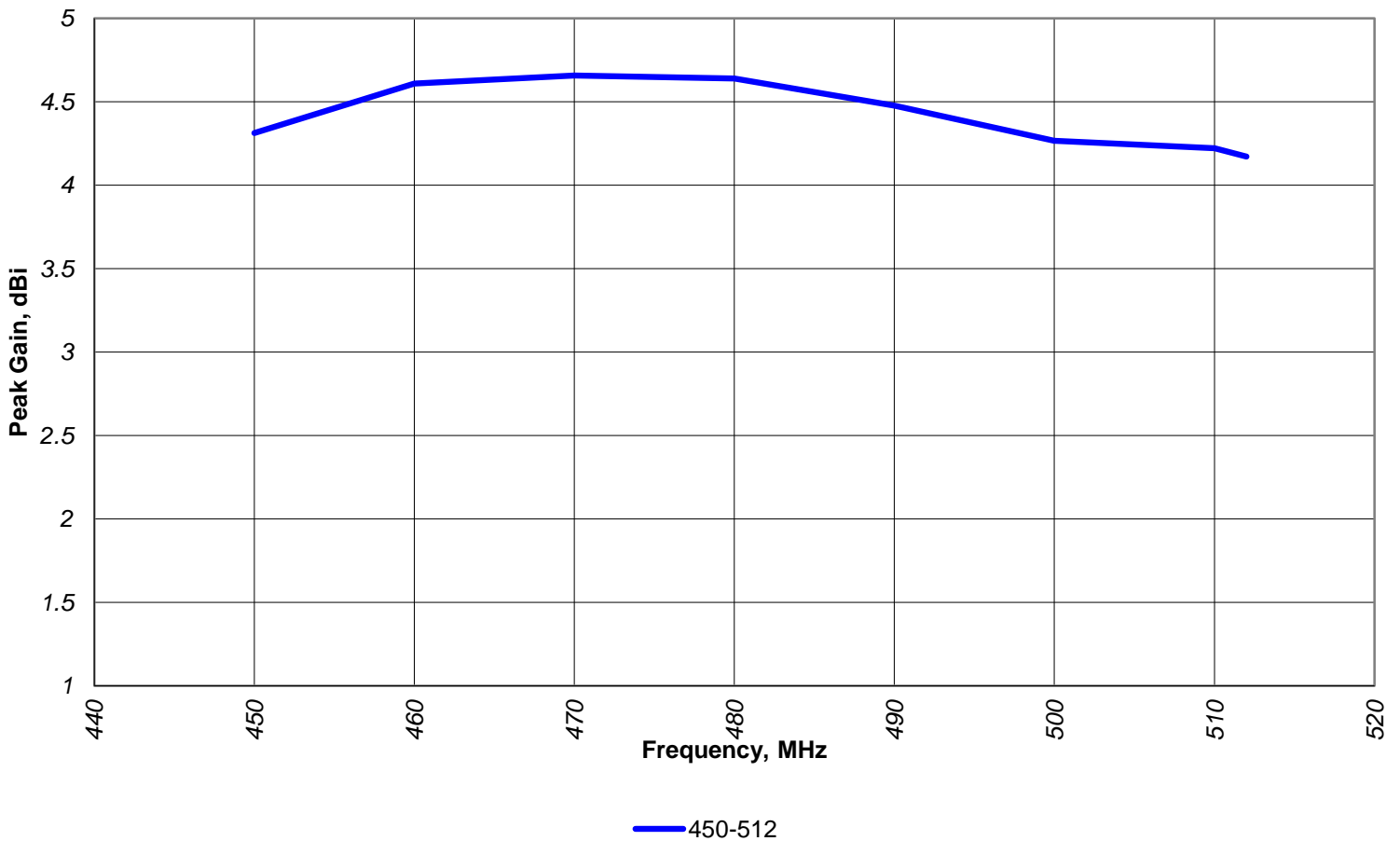
Series: LPT Antenna

PART NUMBER: LPT450/512NMO

CHARTS

Peak Gain vs Frequency
LP450/512NMO

Measured at Pulse, USA - July 11, 2016



Issue: 1627

In the effort to improve our products, we reserve the right to make changes judged to be necessary.

CONFIDENTIAL AND PROPRIETARY INFORMATION

This document contains confidential and proprietary information of Pulse Electronics, Inc. (Pulse) and is protected by copyright, trade secret and other state and federal laws. Its receipt or possession does not convey any rights to reproduce, disclose its contents, or to manufacture, use or sell anything it may describe. Reproduction, disclosure or use without specific written authorization of Pulse is strictly forbidden.

Description: LPT 450-512MHz Antenna

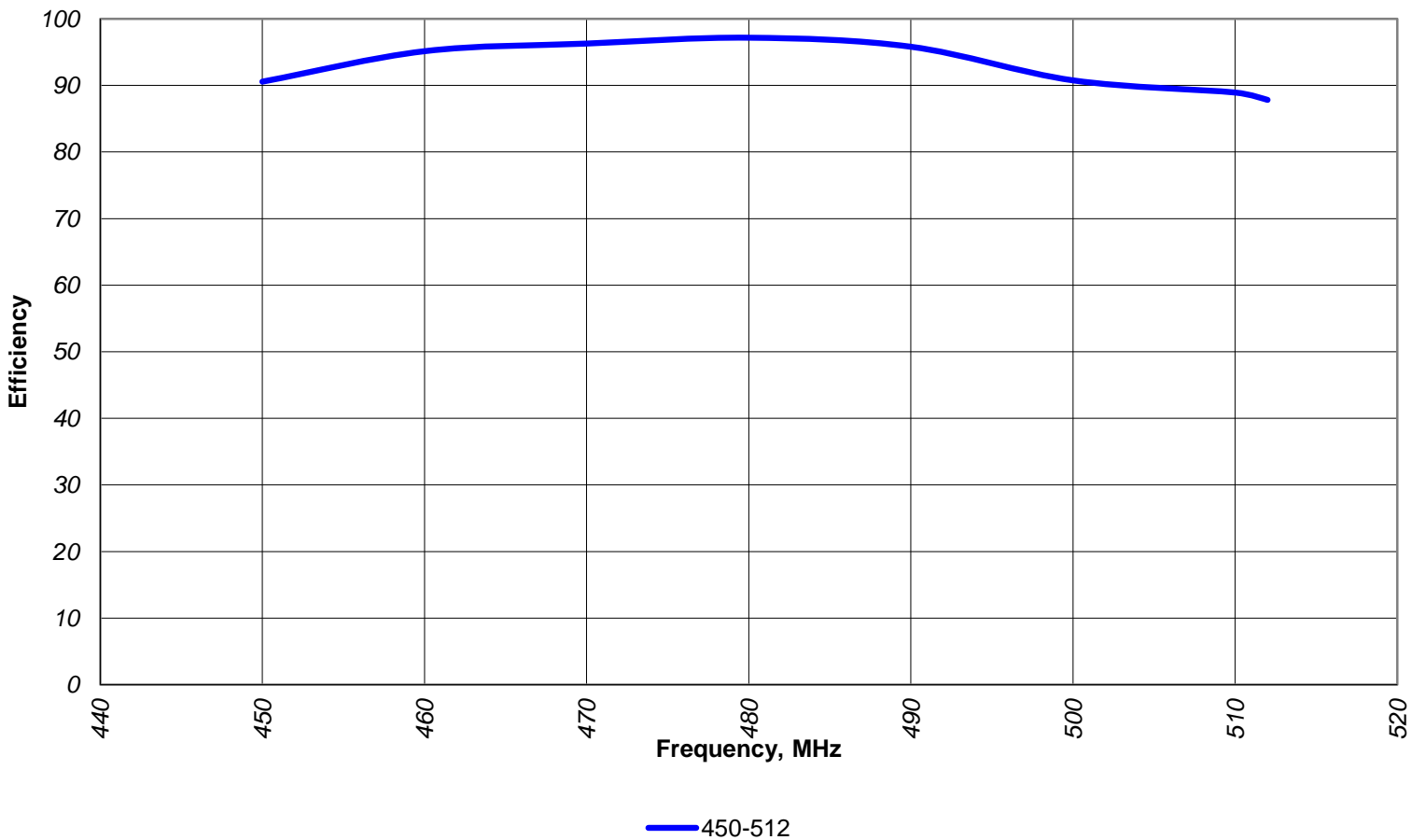
Series: LPT Antenna

PART NUMBER: LPT450/512NMO

CHARTS

Efficiency vs Frequency
LPT450/512NMO

Measured at Pulse, USA - July 11, 2016



Issue: 1627

In the effort to improve our products, we reserve the right to make changes judged to be necessary.

CONFIDENTIAL AND PROPRIETARY INFORMATION

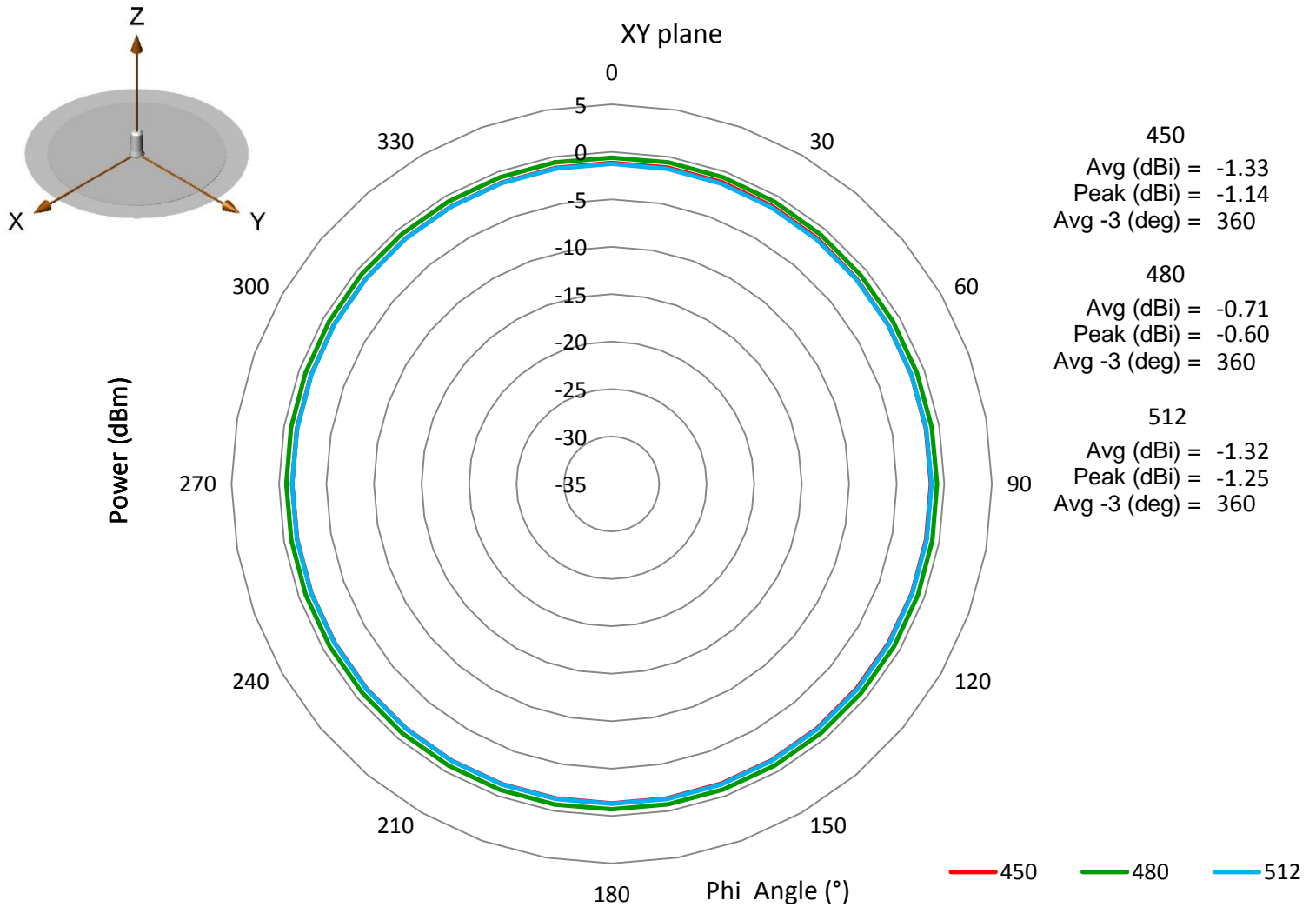
This document contains confidential and proprietary information of Pulse Electronics, Inc. (Pulse) and is protected by copyright, trade secret and other state and federal laws. Its receipt or possession does not convey any rights to reproduce, disclose its contents, or to manufacture, use or sell anything it may describe. Reproduction, disclosure or use without specific written authorization of Pulse is strictly forbidden.

Description: LPT 450-512MHz Antenna

Series: LPT Antenna

PART NUMBER: LPT450/512NMO

CHARTS



Issue: 1627

In the effort to improve our products, we reserve the right to make changes judged to be necessary.

CONFIDENTIAL AND PROPRIETARY INFORMATION

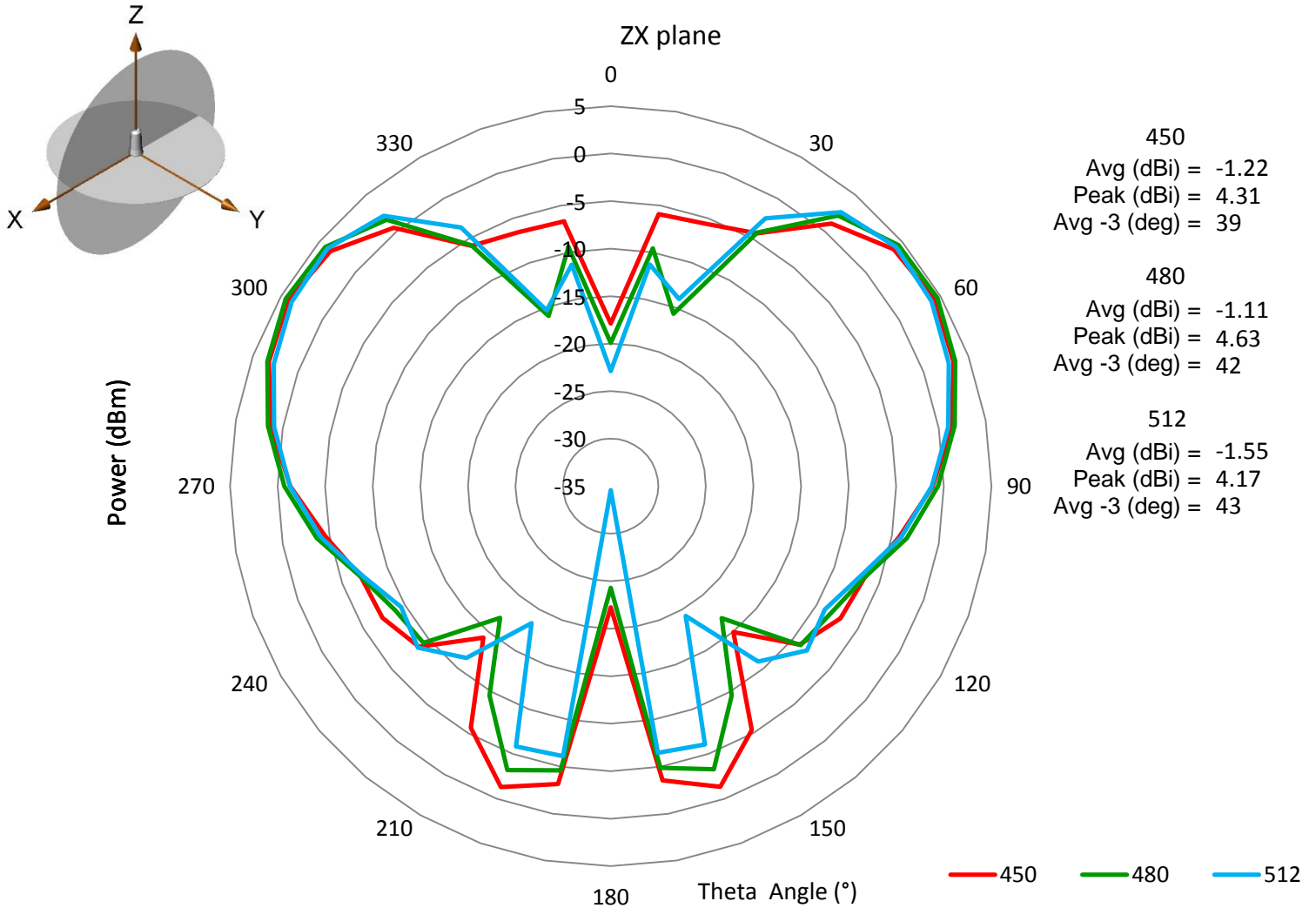
This document contains confidential and proprietary information of Pulse Electronics, Inc. (Pulse) and is protected by copyright, trade secret and other state and federal laws. Its receipt or possession does not convey any rights to reproduce, disclose its contents, or to manufacture, use or sell anything it may describe. Reproduction, disclosure or use without specific written authorization of Pulse is strictly forbidden.

Description: LPT 450-512MHz Antenna

Series: LPT Antenna

PART NUMBER: LPT450/512NMO

CHARTS



Issue: 1627

In the effort to improve our products, we reserve the right to make changes judged to be necessary.

CONFIDENTIAL AND PROPRIETARY INFORMATION

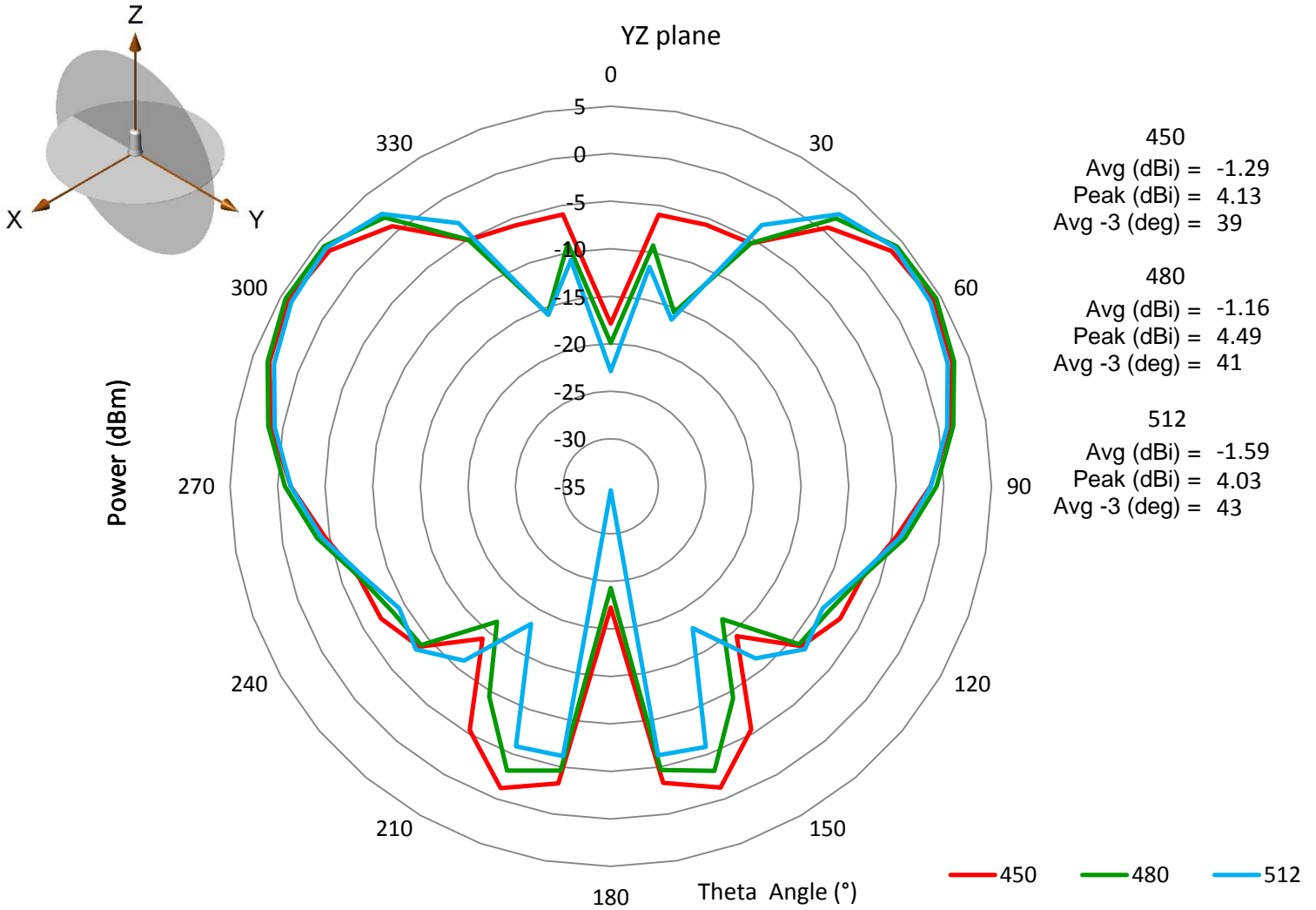
This document contains confidential and proprietary information of Pulse Electronics, Inc. (Pulse) and is protected by copyright, trade secret and other state and federal laws. Its receipt or possession does not convey any rights to reproduce, disclose its contents, or to manufacture, use or sell anything it may describe. Reproduction, disclosure or use without specific written authorization of Pulse is strictly forbidden.

Description: LPT 450-512MHz Antenna

Series: LPT Antenna

PART NUMBER: LPT450/512NMO

CHARTS



Issue: 1627

In the effort to improve our products, we reserve the right to make changes judged to be necessary.

CONFIDENTIAL AND PROPRIETARY INFORMATION

This document contains confidential and proprietary information of Pulse Electronics, Inc. (Pulse) and is protected by copyright, trade secret and other state and federal laws. Its receipt or possession does not convey any rights to reproduce, disclose its contents, or to manufacture, use or sell anything it may describe. Reproduction, disclosure or use without specific written authorization of Pulse is strictly forbidden.

Description: LPT 450-512MHz Antenna

Series: LPT Antenna

PART NUMBER: LPT450/512NMO

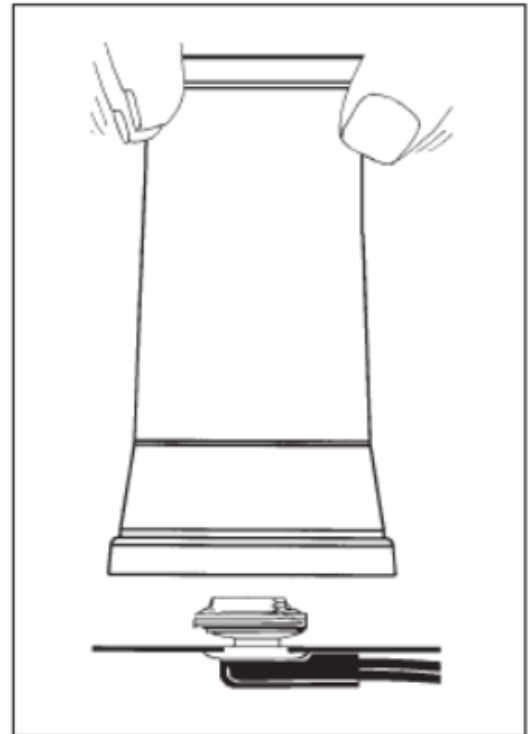
ASSEMBLY

ANTENNA MOUNTING

MINIMUM GROUND PLANE

406 - 512 MHz	24" Diameter
806 - 960 MHz and above	16" Diameter

1. Place SuperSeal gasket on the base of the antenna. SuperSeal gasket must be used when mounting Shadow antennas.
2. Carefully line up the threads of the antenna with the threads of the base and turn slowly.
3. Stop when the antenna feels snug.



Description: LPT 450-512MHz Antenna

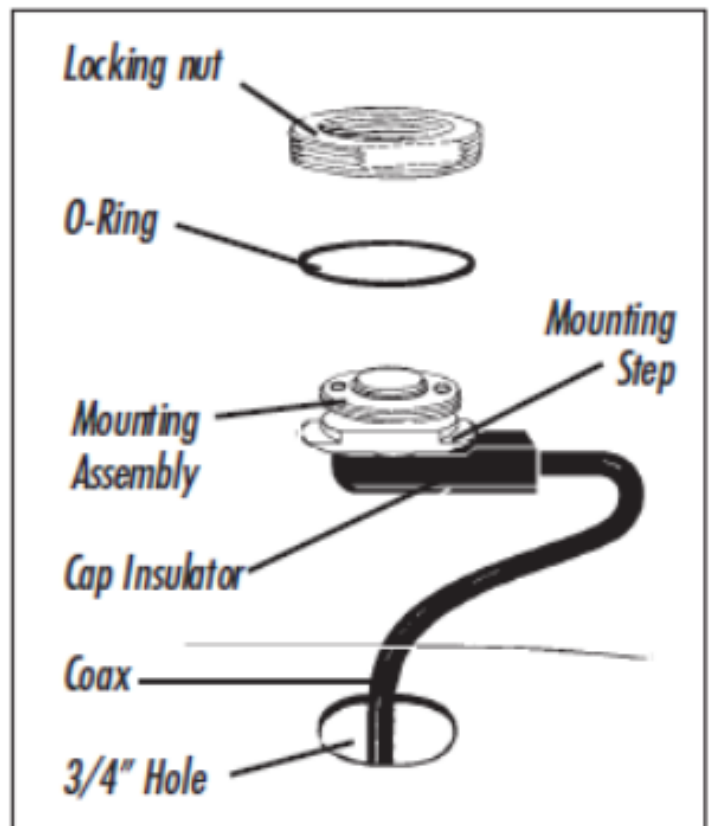
Series: LPT Antenna

PART NUMBER: LPT450/512NMO

ASSEMBLY

MOUNTING KIT INSTALLATION

1. Use hole saw to drill 3/4" (19 mm) hole in vehicle.
2. Metal to metal contact between the vehicle and mount is essential for best performance. Remove any burrs on the under side of the hole.
3. Screw the locking nut onto the mounting assembly and twist one and a half times. Feed the coax and serrated part of the mount (mounting assembly) through the hole.



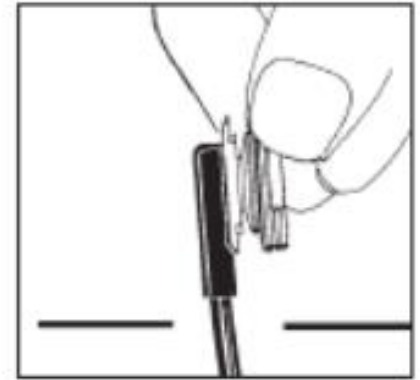
Description: LPT 450-512MHz Antenna

Series: LPT Antenna

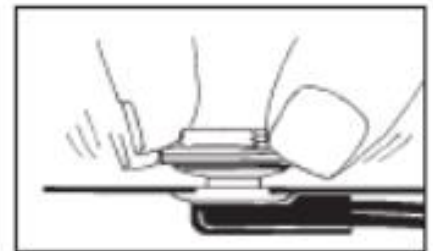
PART NUMBER: LPT450/512NMO

ASSEMBLY

4. Pull up on the locking nut and slip the mount step into proper alignment in the hole. Continue to pull upwards and tighten the locking nut until finger tight. Be sure the "O" ring on the underside of the locking nut is properly seated.



5. Use a spanner wrench or long nose pliers to hold the mounting assembly. Then use an adjustable or open end wrench on the locking nut and tighten firmly (60 in.-lbs. max).



Mouser Electronics

Authorized Distributor

Click to View Pricing, Inventory, Delivery & Lifecycle Information:

Pulse:

[LPT450/512NMO](#)