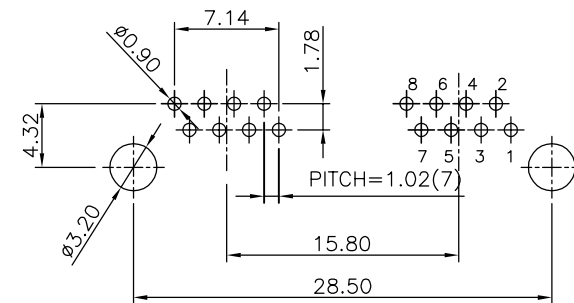
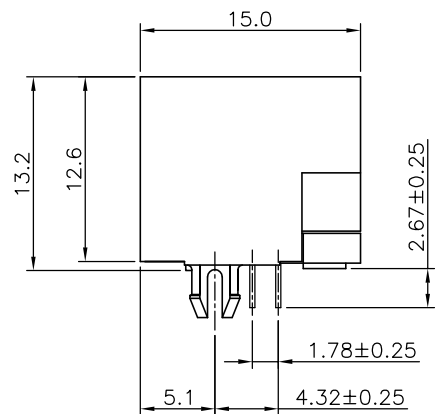
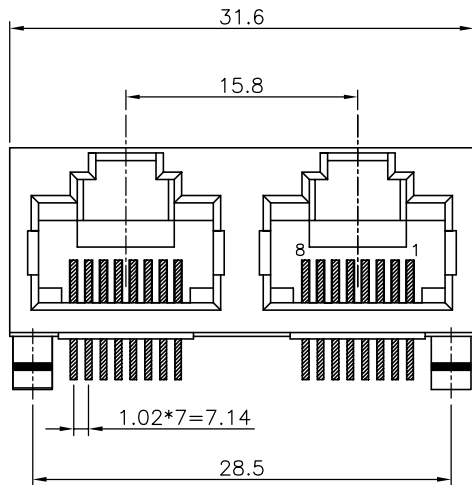


REVISION RECORD		
REV	DESCRIPTION	DRFT



PC BOARD LAYOUT T=1.60mm  
 COMPONENT SIDE SHOWN  
 TOLERANCES±0.05mm

**NOTES:**

ELECTRICAL:

1. VOLTAGE RATING : 125 VAC RMS.
2. CURRENT RATING : 1.5 AMP.
3. CONTACT RESISTANCE : 40 MILLIOHMS MAX.
4. INSULATION RESISTANCE : 1000 MEGOHMS MIN @ 500 VDC.
5. DIELECTRIC STRENGTH : 1000 VDC RMS 60Hz, 1MIN.
6. OPERATING : 750 CYCLES MIN.

MECHANICAL:

1. HOUSING MATERIAL : GLASS FIBER FILLED NYLON, UL94V-0\BLACK.
2. INSERT MATERIAL : GLASS FIBER FILLED NYLON, UL94V-0\BLACK.
3. BACK PLATE MATERIAL : GLASS FIBER FILLED NYLON, UL94V-0\BLACK.
4. CONTACT MATERIAL : PHOSPHOR BRONZE 0.35mm THICKNESS.
5. PLATING : GOLD PLATING OVER NICKEL.
6. PCB RETENTION PRE-SOLDER : 1 LB MIN.
7. PCB RETENTION POST-SOLDER: 10 LBS MIN.

ENVIRONMENTAL:

1. STORAGE : -40°C TO +85°C.
2. OPERATION: -40°C TO +85°C.
3. WAVE SOLDERING TEMPERATURE: 255°C~265°C (5~10 SECONDS)

MATES WITH MODULAR PLUG CONFORMING TO  
 FCC PART 68, SUBPART F.  
 CUL FILE NO. E163191

E5J88-00AJG2-L	6u"
PART NO.	Au PLATING

DETACHED LISTS	MM (INCH)	<b>RoHS Compliant</b>		<b>Pulse Electronics</b>		
	TOLERANCES EXCEPT AS NOTED		TITLE			
	MM	±	RJ45 TWO PORT SIDE ENTRY JACK			
	.0 ± 0.25	±	DFTO : ELLA		DRAWING NO. CE5J88-00AJGX-L	SIZE A3
.00 ± 0.20	±	DATE : 09/24/2012		/PART NO. E5J88-00AJG2-L	REV 0	
.000 ± 0.10	±	SCALE : 5:2		DO NOT SCALE DRAWING	SHEET 1 OF 1	
THIRD ANGLE PROJECTION						

# Mouser Electronics

Authorized Distributor

Click to View Pricing, Inventory, Delivery & Lifecycle Information:

Pulse:

[E5J88-00AJG2-L](#)